



Double-handle 3-hole washbasin mixer

Thank you for choosing our company.

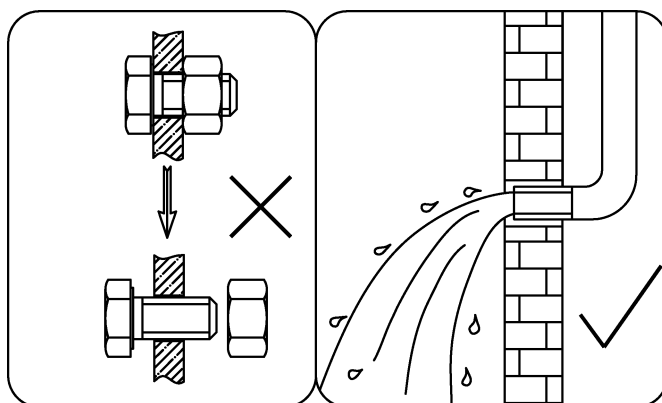
Please make sure you have all necessary parts by checking the diagram and component list.
Please make sure of proper installation and maintenance for long-term performance.

Important notice:

1. Please make sure that installation must be carried out by qualified or well-experienced plumbers, Improper installation may cause severe failure.
2. This diagram is for reference only. The installation procedures may slightly differ from one to other type of lavatory mixers, and this is the manual for two types of fittings for 3-hole washbasin mixer for your reference.

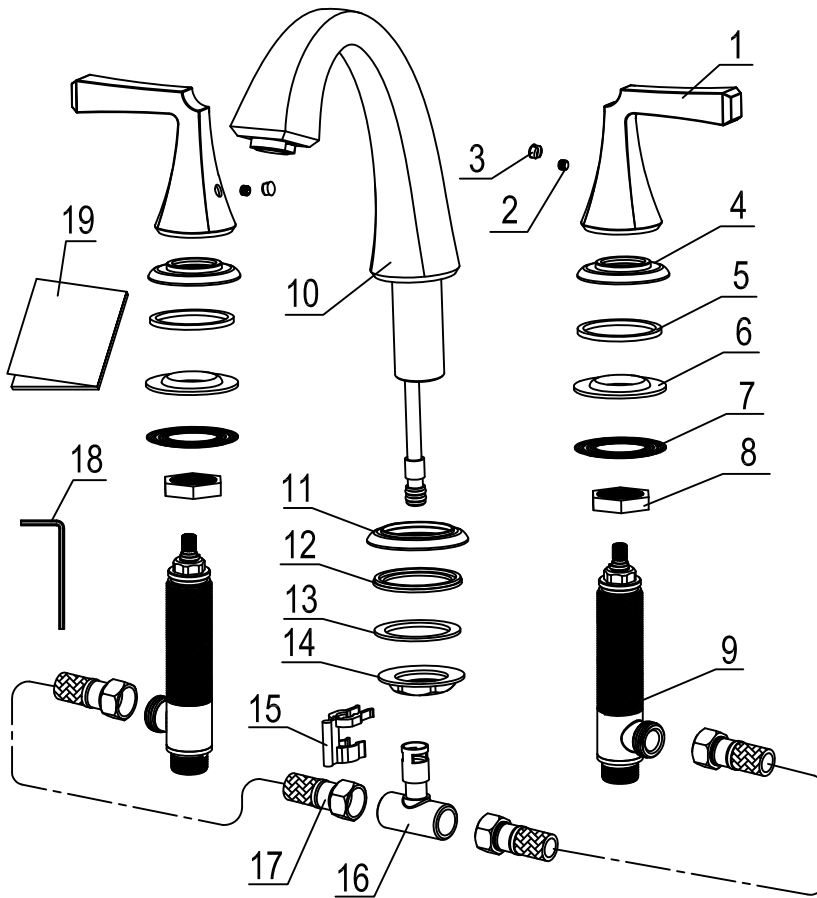
⚠Warnings

- ☆ Disassembling of the mixer is prohibited, as it has been assembled & commissioned to the best using condition.
- ☆ Before installing, flush the water supplying pipes.
- ☆ Do not over-forcing when installing.
- ☆ Corrosive materials such as plastic cement or glue is prohibited when installing mixers, valves, angle valves or connecting flexible hoses.
- ☆ Make sure to connect hot and cold supplying water pipes correctly, left to hot and right to cold facing from front of the valve.
- ☆ After installation, check joints to make sure of no leakage.
- ☆ Technical parameters:
Norminal working pressure: 0.05Mpa-1.0MPa (7.26psi-145psi).
Water temperature: 4°C-90°C.



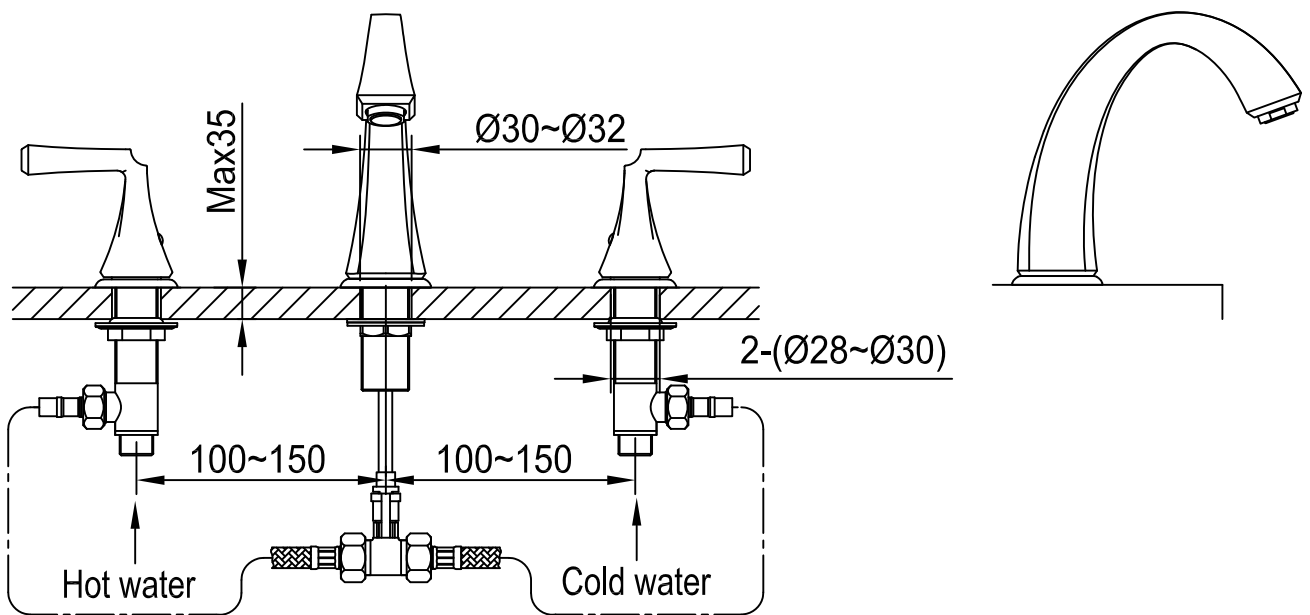
Double-handle 3-hole washbasin mixer

A-type fixing



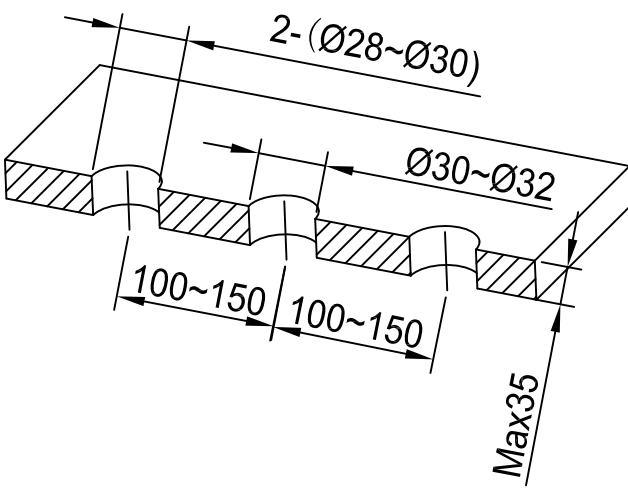
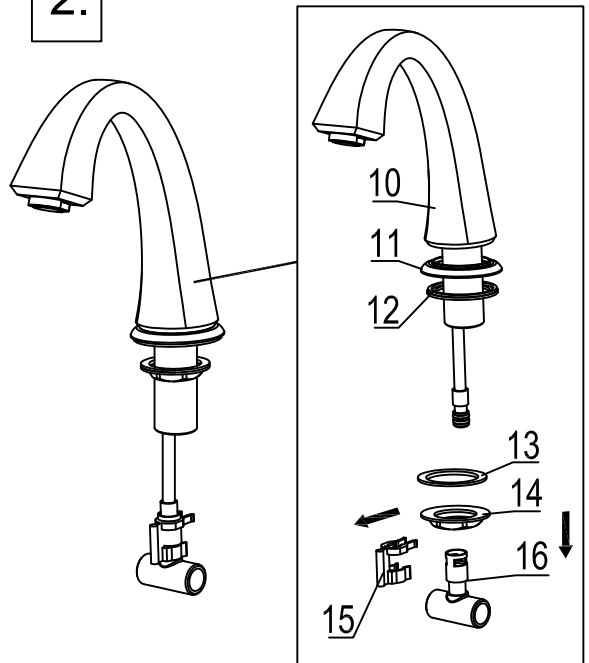
Component List	Pcs
1.Handle	2
2.Screw	2
3.Button	2
4.Base A	2
5.Washer A	2
6.Taper washer	2
7.Clamping ring	2
8.Hex nut	2
9.Control valve	2
10.Spout	1
11.Base B	1
12.washer B	1
13.Gasket	1
14.Nut	1
15.Plastic clip	1
16.T-union	1
17.Connective hose	2
18.Allen key	1
19.Manual	1

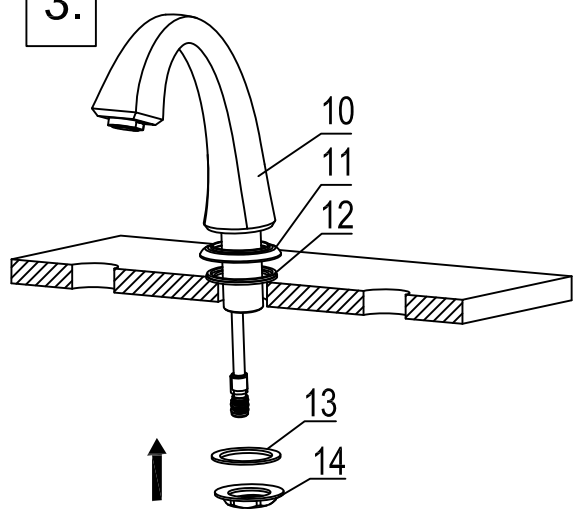
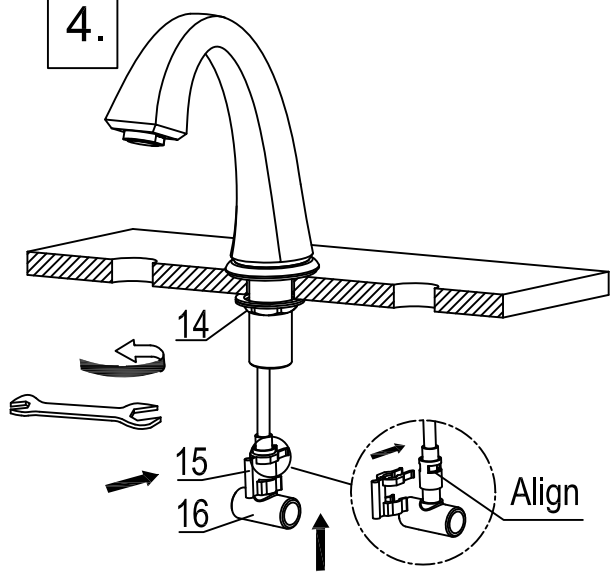
※ Diagram



Double-handle 3-hole washbasin mixer

✳️Installation procedures

<p>1.</p> 	<p>2.</p> 
<p>1. Before installation, make sure of the proper deck thickness, then make 3 holes with distance at 100~150mm between each hole.</p>	<p>2. Remove the T-union(16), plastic clip(15), nut (14), gasket(13) from spout(10).</p>

<p>3.</p> 	<p>4.</p> 
<p>3. With base(11), washer B(12) still on, insert the spout(10) through the middle hole and install the spout with gasket(13) and nut(14) from underdeck.</p>	<p>4. With the spout facing forward, fix it by tightening the nut with a wrench. Install the T-union(16) onto the spout outlet and fasten it with plastic clip(15).</p>