

VIGO THE IDEAL EVERYDAY.

VG03013

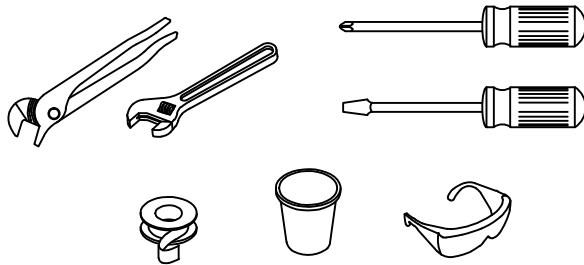
IMPORTANT POINTS

Prior to beginning installation, turn off the cold and hot water lines and open the hot and cold knobs on the old faucet to release build-up pressure.

When installing your new faucet, turn the connector nuts finger-tight, then use one wrench to anchor the fitting and a second wrench to tighten the nut one additional turn. Connections that are too tight will reduce the integrity of the system. Wrap all threaded connections with Teflon tape available at your local hardware or plumbing supply store. Always wrap in a clockwise direction.

All installations can vary depending on how your previous faucet was installed. Not all necessary supplies to install your faucet are included, however, they are available wherever plumbing supplies are sold.

TOOLS NEEDED



This bathroom faucet is cUPC, NSF-61, AB1953 and WaterSense certified by IAPMO, and is CEC and ADA Compliant.

Ce robinet de salle de bain est cUPC, NSF-61, AB1953 et certifié WaterSense par l'IAPMO, et est conforme aux normes CEC et ADA. Este grifo para baño es cUPC, NSF-61, AB1953 y WaterSense certificado por IAPMO, y cumple con CEC y ADA.

A.

SAFETY TIPS

If you use soldering for the installation of the faucet, the seats, cartridges and washers will have to be removed before using flame. Otherwise, warranty will be void on these parts. Protect your eyes with safety glasses when cutting or soldering water supply lines. Cover your drain to avoid losing parts.

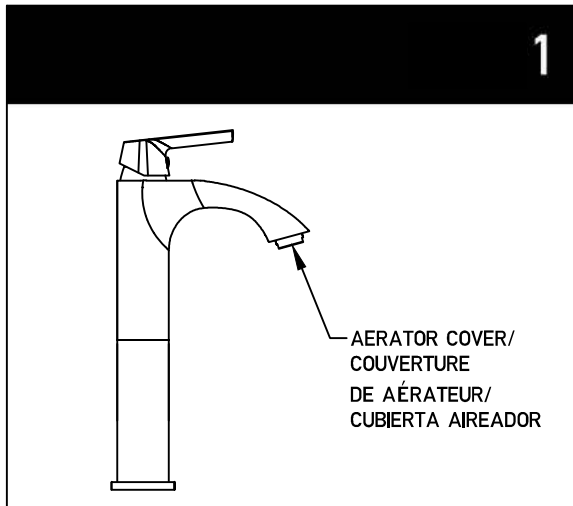
t

VIGO THE IDEAL EVERYDAY.

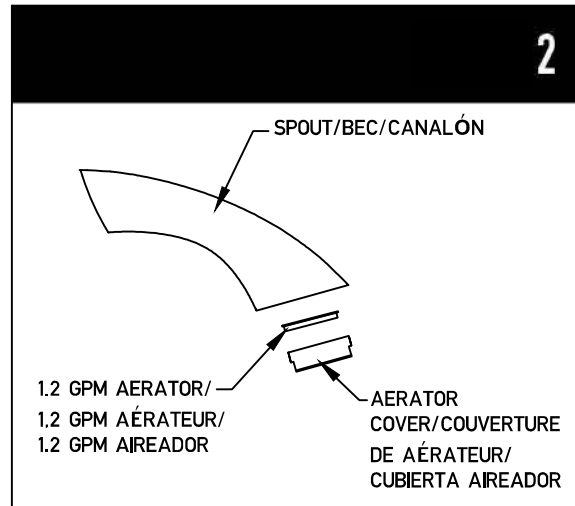
VG03013

FLOW RATE REGULATIONS/RÈGLEMENT DE DÉBIT/NORMAS DE CAUDAL

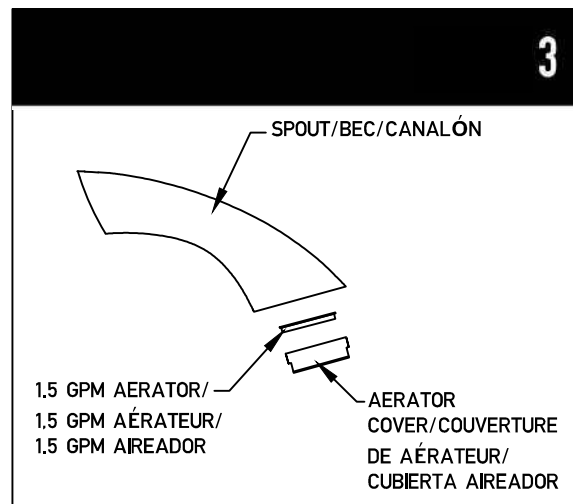
This product meets the CEC requirements. It is up to the discretion of the client to modify the product with the provided restrictor. Doing so will remove the ability for the product to meet certain low flow standards. Please talk to your local or statewide plumbing enforcement agency prior to modifying. Vigo is not responsible for any alterations and the affects that may come with altering the product post sale and highly advises that the client only install the product that meets the needs of their local plumbing code. Flow rate with installed aerator - 1.2 gpm. Flow rate with aerator provided in box - 1.5 gpm



1. Twist open the aerator cover counterclockwise to remove the aerator. You will find an aerator installed here.

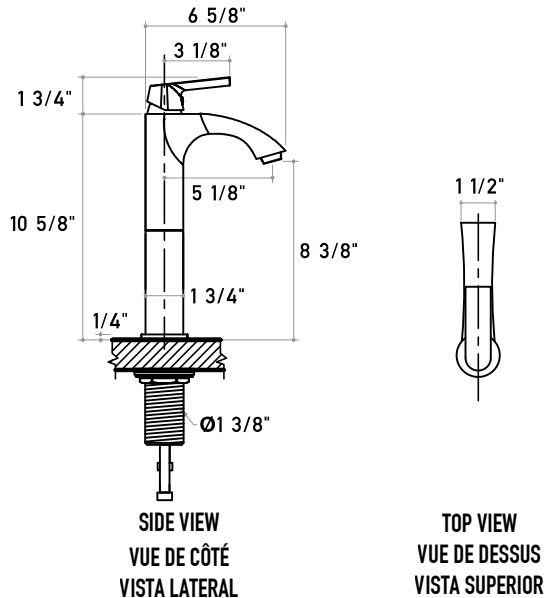


2. Remove the 1.2 gpm aerator.

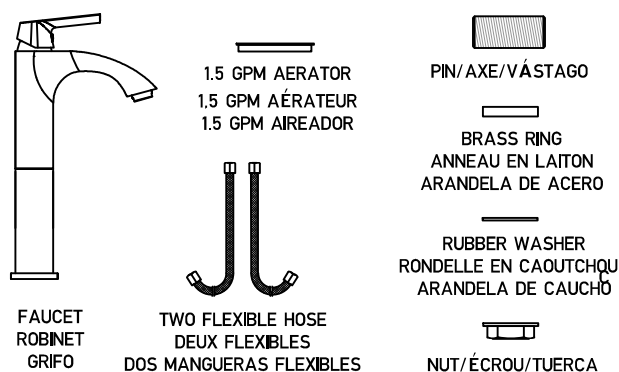


3. Replace it with the 1.5 gpm aerator (provided). Replace the aerator cover by twisting it back on clockwise.

MEASUREMENTS/DES MESURES/MEDICIONES

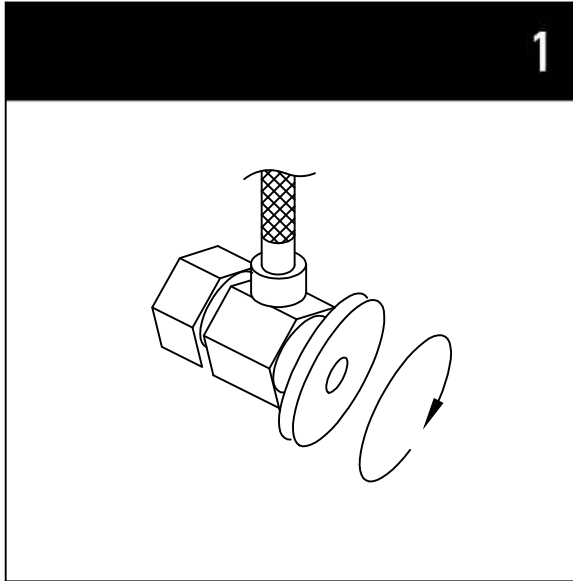


PACKAGE CONTENTS/CONTENU DE L'EMBALLAGE/ CONTENIDO DEL PAQUETE

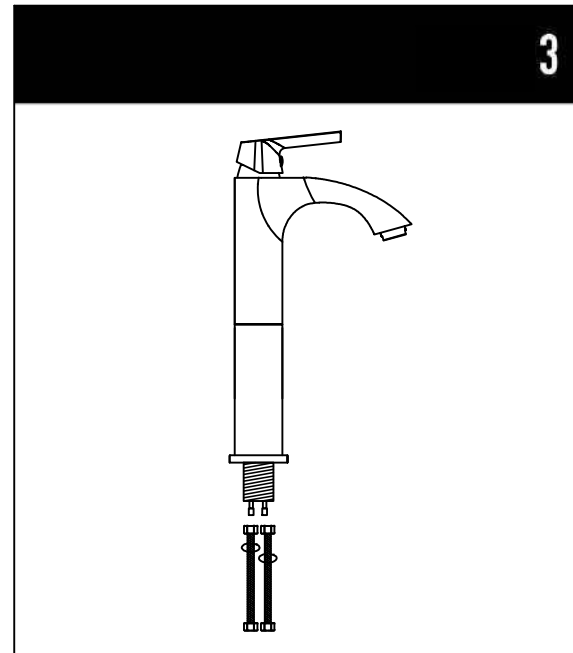


INSTALLATION/INSTALLATION/INSTALACIÓN

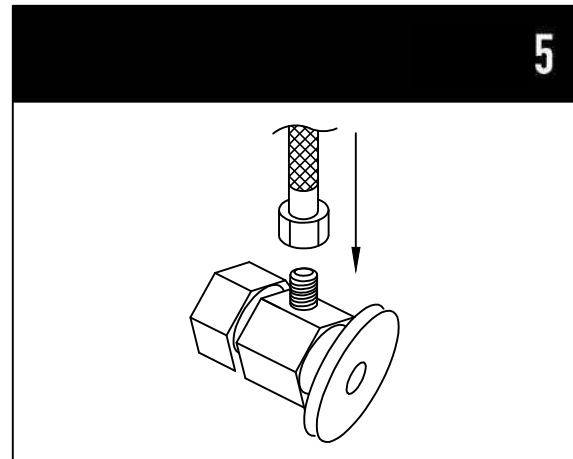
NOTE: Installation must be done by a qualified, licensed plumber.



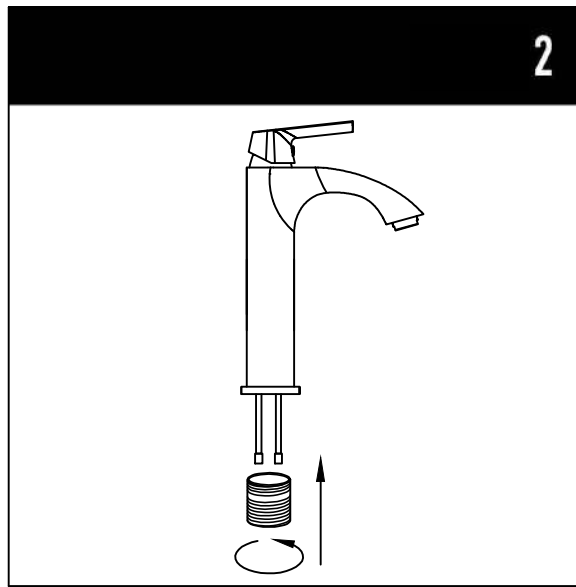
1. Shut off water supply. Remove old faucet and flexible hoses. Clean sink surface in preparation for the new faucet. Flush water connection at home to make sure no debris is stuck in the line.



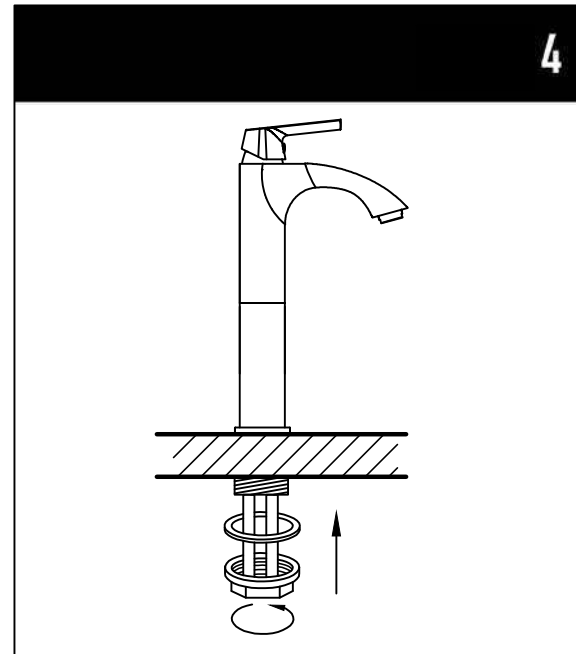
3. Connect flexible hoses to the brass pipes.



5. Connect female end of flexible hoses to the cold and hot water supply.



2. Install pin to the faucet.



4. Place new faucet in the position on the sink. Place brass ring between bottom of the faucet and sink surface. From under the sink, put rubber washer and thread nut onto the pin. Tighten nut.



6. After installation is complete, remove the aerator. Turn on the water supply valves and allow both hot and cold water to run at least one minute each. While water is running, check for leaks, especially at hook-ups to supply lines. Tightening nuts slightly will stop any minor leaks.

VIGO THE IDEAL EVERYDAY.

VG03013

