

VIGO THE IDEAL EVERYDAY.

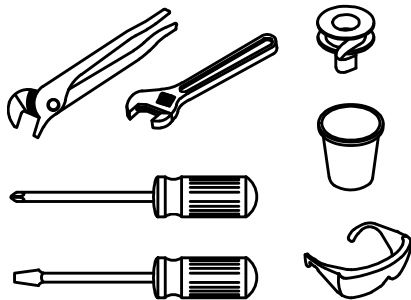
VG03009

SAFETY TIPS

If you use soldering for the installation of the faucet, the seats, cartridges and washers will have to be removed before using flame. Otherwise, warranty will be void on these parts. Protect your eyes with safety glasses when cutting or soldering water supply lines. Cover your drain to avoid losing parts.

TOOLS NEEDED

Adjustable wrench
Groove joint pliers
Plumber's putty
Pipe tape
Phillips and flat screwdriver



SEVILLE VESSEL BATHROOM FAUCET



This bathroom faucet is cUPC, NSF-61, AB1953 and WaterSense certified by IAPMO, and is CEC and ADA Compliant.

Prior to beginning installation, turn off the cold and hot water lines and open the hot and cold knobs on the old faucet to release build-up pressure.

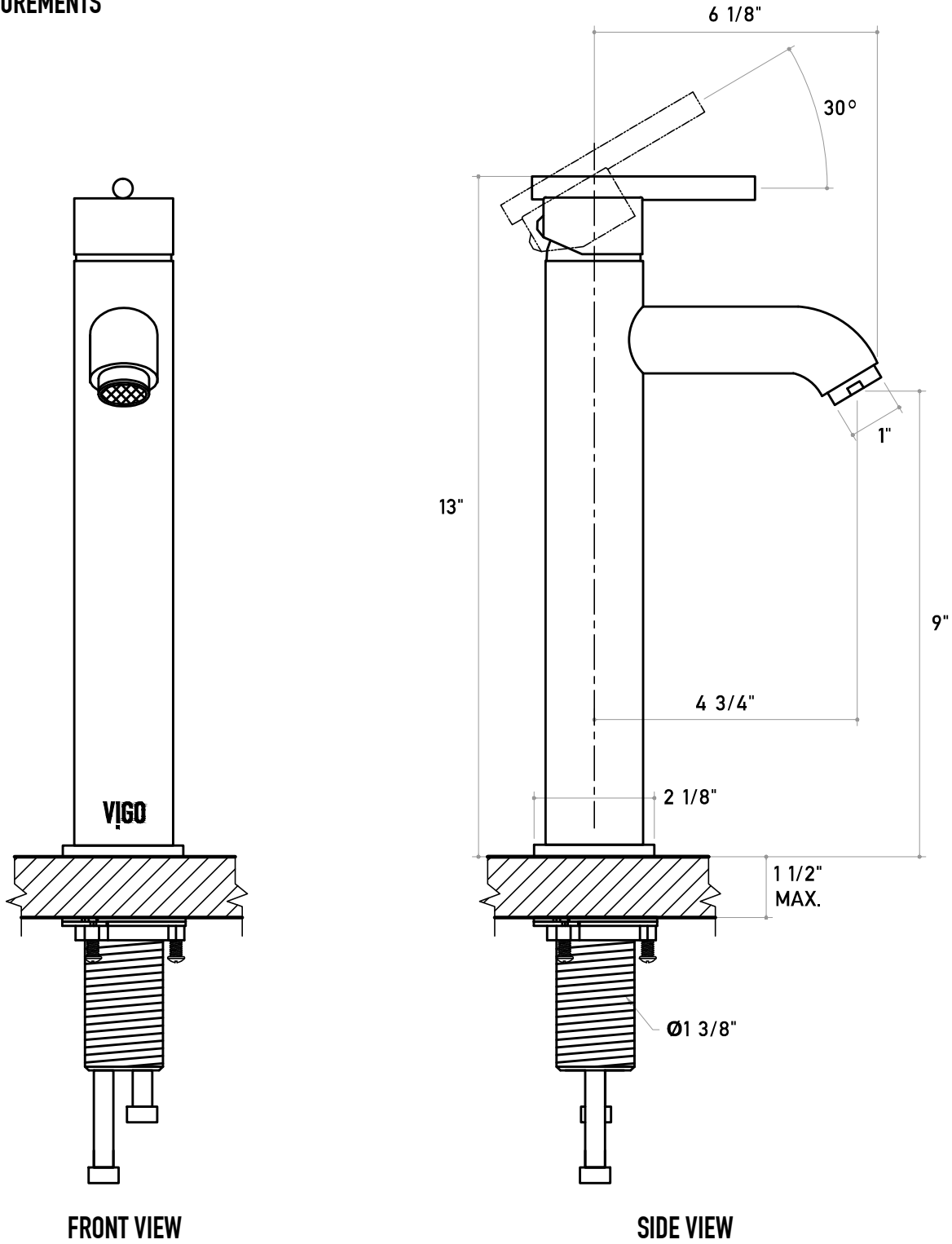
When installing your new faucet, turn the connector nuts finger-tight, then use one wrench to anchor the fitting and a second wrench to tighten the nut one additional turn. Connections that are too tight will reduce the integrity of the system.

Wrap all threaded connections with Teflon tape available at your local hardware or plumbing supply store. Always wrap in a clockwise direction. All installations can vary depending on how your previous faucet was installed. Not all necessary supplies to install your faucet are included, however, they are available wherever plumbing supplies are sold.

VIGO THE IDEAL EVERYDAY.

VG03009

MEASUREMENTS



FRONT VIEW

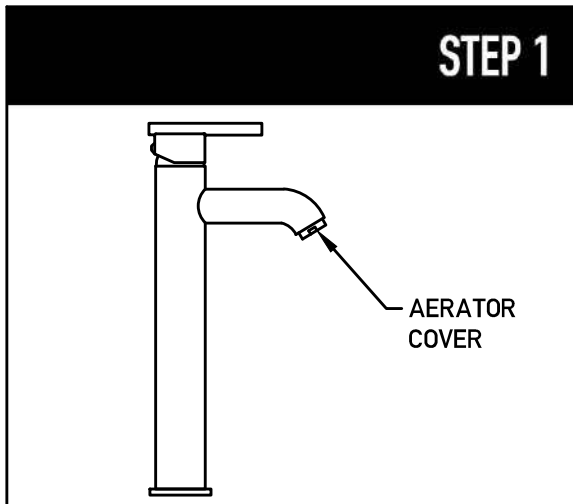
SIDE VIEW

*The measurements in inches are rounded to the nearest 1/8"

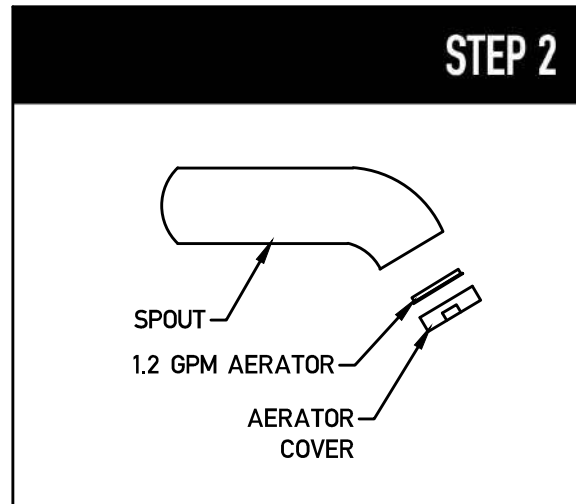
FLOW RATE REGULATIONS

This product meets the CEC requirements. It is up to the discretion of the client to modify the product with the provided restrictor. Doing so will remove the ability for the product to meet certain low flow standards. Please talk to your local or statewide plumbing enforcement agency prior to modifying. Vigo is not responsible for any alterations and the affects that may come with altering the product post sale and highly advises that the client only install the product that meets the needs of their local plumbing code.

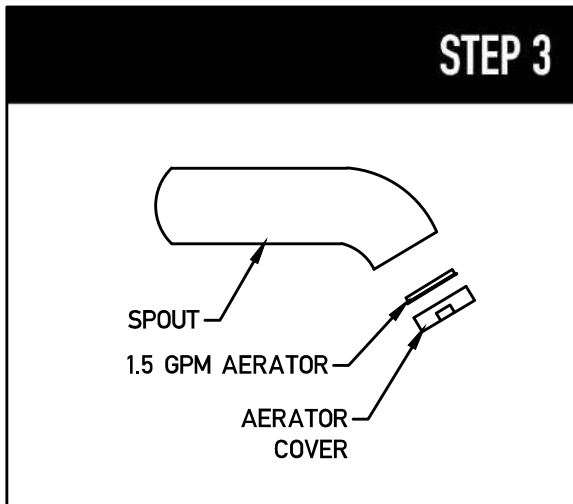
Flow rate with installed aerator - 1.2 gpm
Flow rate with aerator provided in box - 1.5 gpm



1. Twist open the aerator cover counterclockwise to remove the aerator. You will find an aerator installed here.



2. Remove the 1.2 gpm aerator.

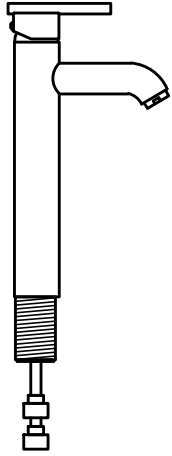


3. Replace it with the 1.5 gpm aerator (provided). Replace the aerator cover by twisting it back on clockwise.

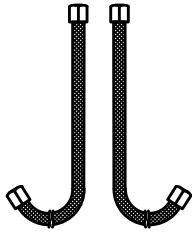
VIGO THE IDEAL EVERYDAY.

VG03009

PACKAGE CONTENTS



FAUCET



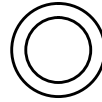
TWO FLEXIBLE HOSE



ALLEN KEY



1.5 GPM AERATOR



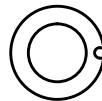
LOWER RING



PLATE



SET SCREWS



GASKET



O-RING

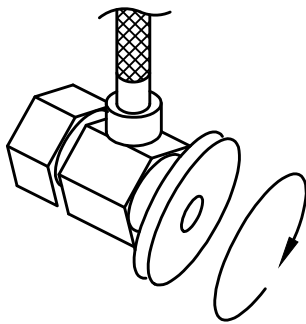


LOCK NUT

ASSEMBLY INSTRUCTION

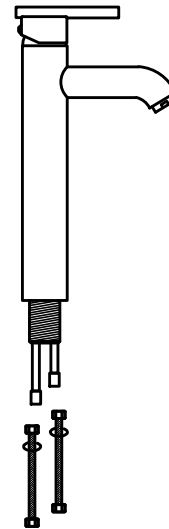
NOTE: INSTALLATION MUST BE DONE BY A QUALIFIED, LICENSED PLUMBER

STEP 1



1. Shut off water supply. Remove old faucet and flexible hoses. Clean sink surface in preparation for the new faucet. Flush water connection at home to make sure no debris is stuck in the line.

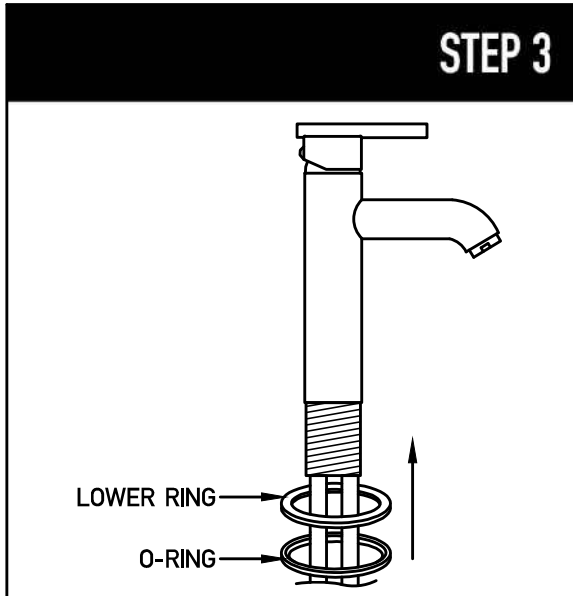
STEP 2



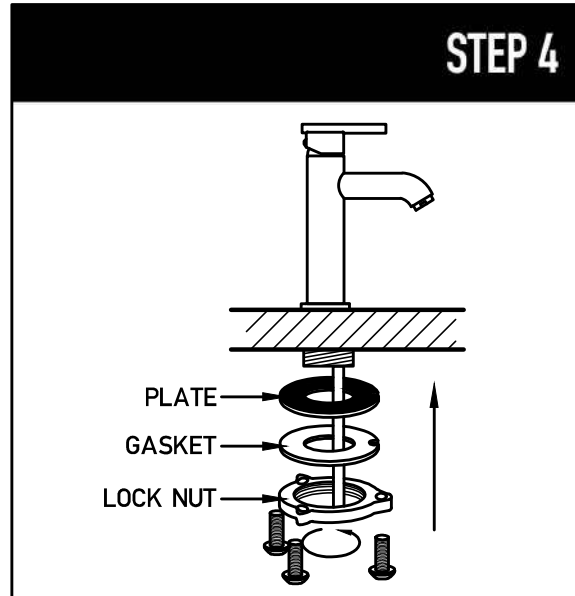
2. Connect flexible hoses to the brass pipes.

ASSEMBLY CONTINUE

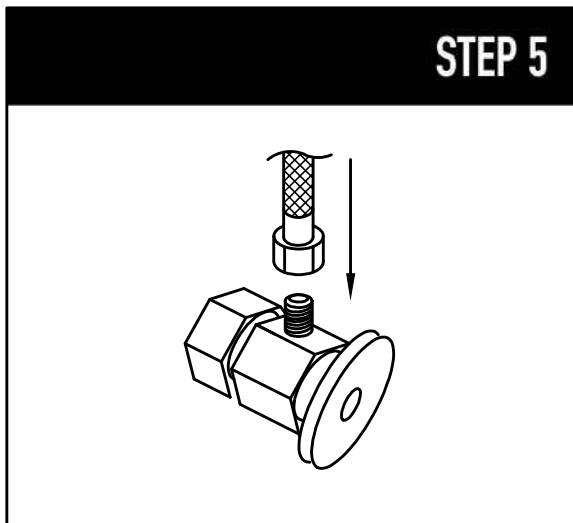
NOTE: INSTALLATION MUST BE DONE BY A QUALIFIED, LICENSED PLUMBER



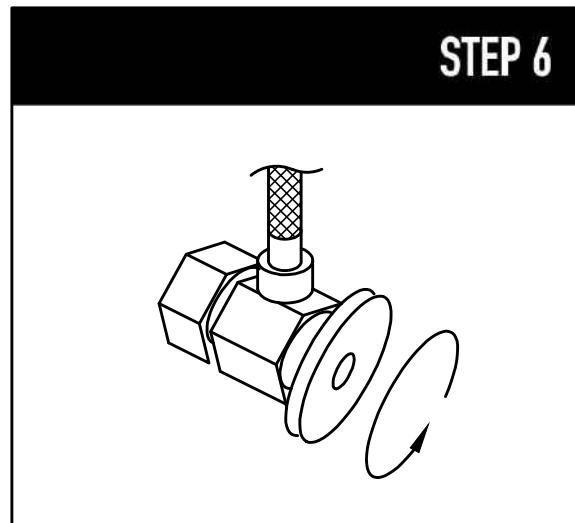
3. Place lower ring and o-ring to the faucet.



4. Place new faucet in the position on the sink. From under the sink, put plate and gasket and thread nut onto the pin. Tighten the nut. Place set screws into the nut and tighten them.



5. Connect female end of flexible hoses to the cold and hot water supply.



6. After installation is complete, remove the aerator. Turn on the water supply valves and allow both hot and cold water to run at least one minute each. While water is running, check for leaks, especially at hook-ups to supply lines. Tightening nuts slightly will stop any minor leaks.