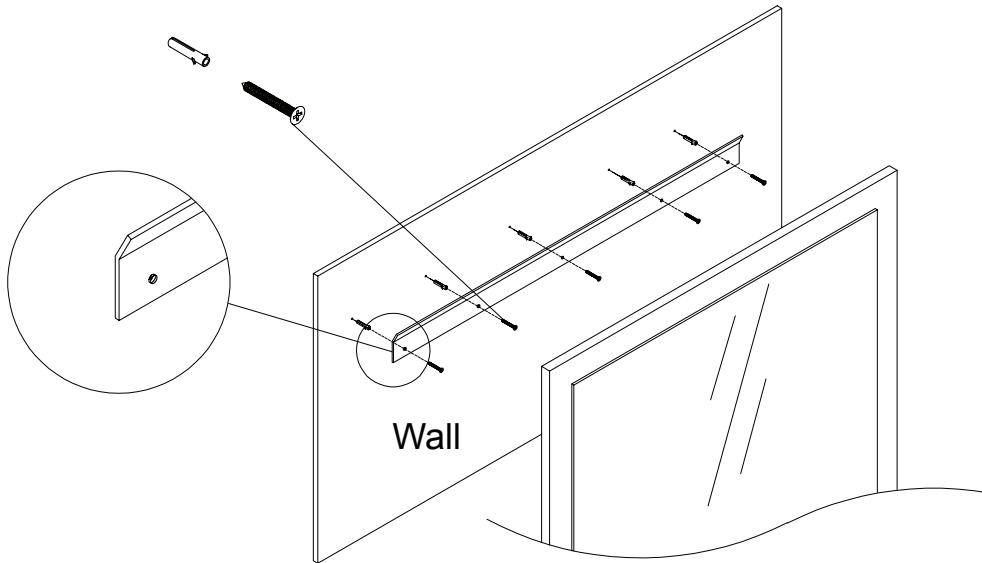
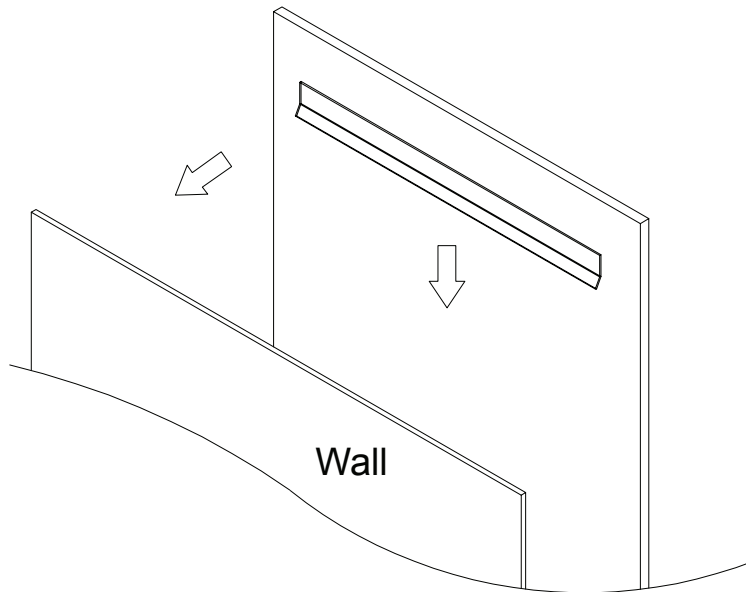


Mirror  
Hanging Instructions



Metal brackets Style Mirror Hangers  
These heavy-duty handlers ship pre-attached to the back side of the James Martin Mirrors.



**IMPORTANT**

James Martin Vanities Company always recommends you consult and/or hire a professional contractor when installing your mirror