

DLEDL03AS
Installation Instructions

Dawn®

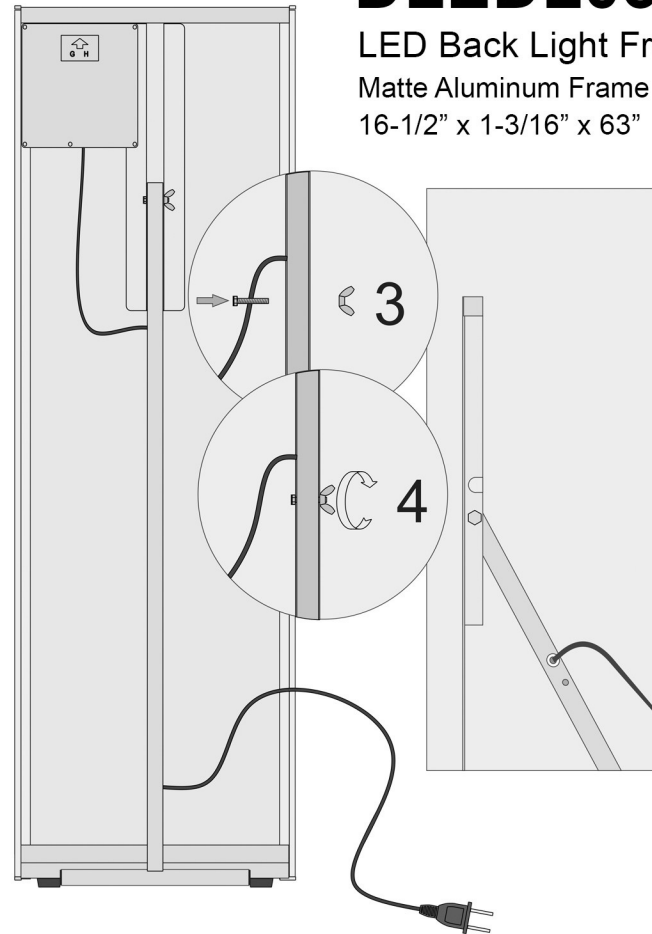
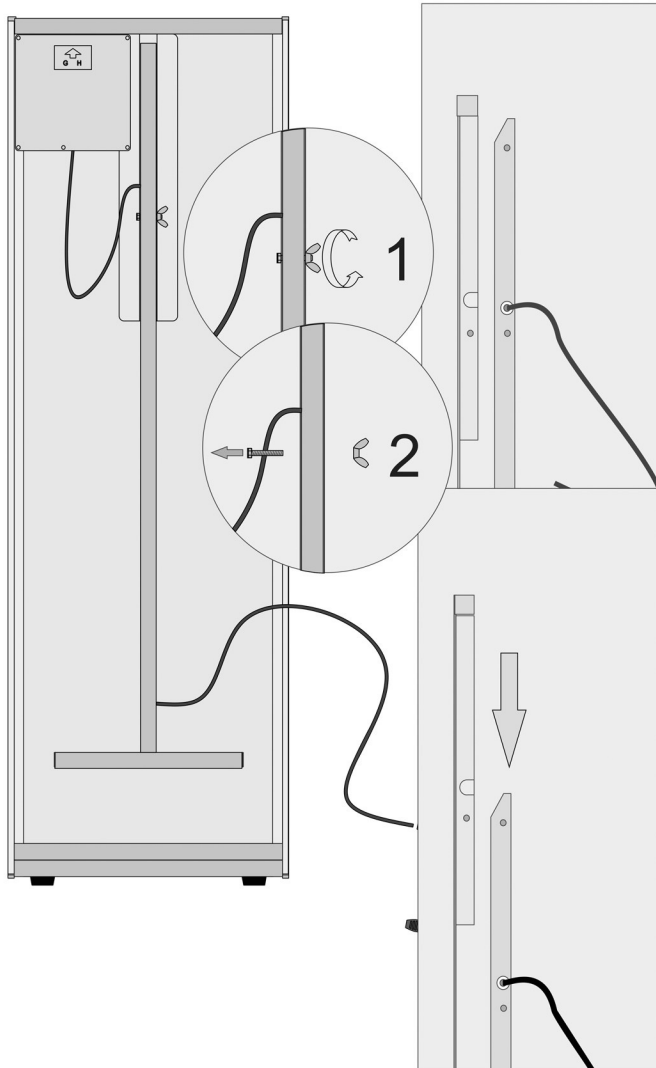
Kitchen & Bath Products, Inc.

DLEDL03AS

LED Back Light Free Standing Mirror (with IR Sensor)

Matte Aluminum Frame

16-1/2" x 1-3/16" x 63"



CE IP44

