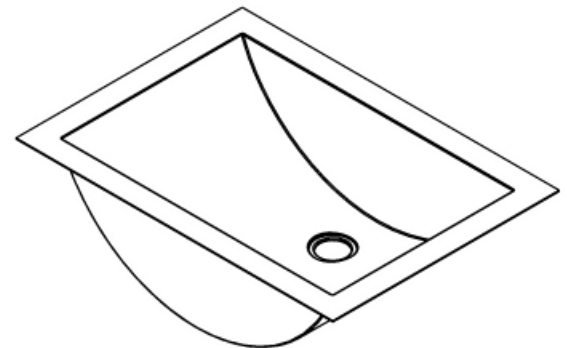
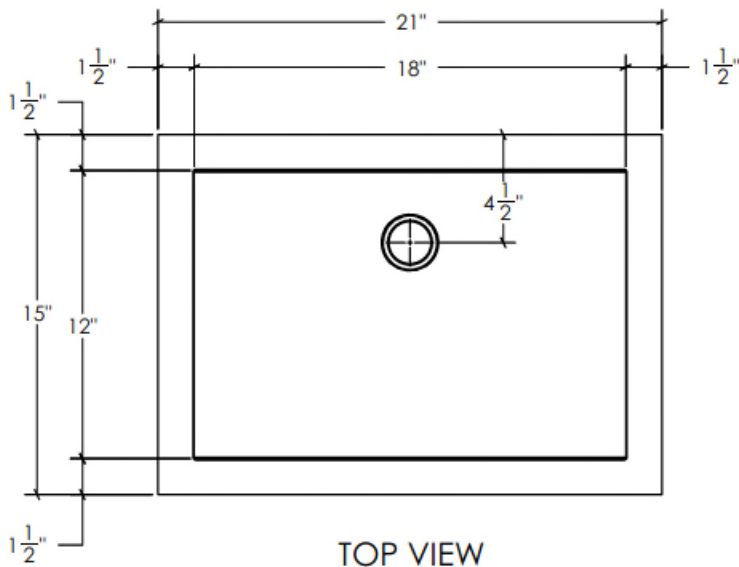


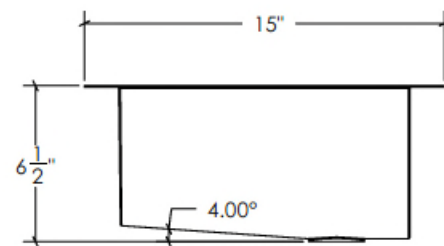
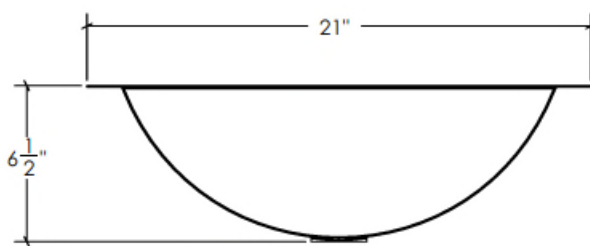
MS-012

FEATURES:

- * Sink Size: 21" x 15" x 6 1/2"
- * Material: Stainless Steel with Brushed Finish
- * Undermount Sink
- * Recommended Drain: DS-003
- * For Use With Standard Pop Up Drain
- * Warranty: One Year Limited Warranty



3D VIEW



* Specifications and drawings provided on this sheet are for illustration only. Cantrio Koncepts will not be held responsible for cutouts made without the actual product or product template.