



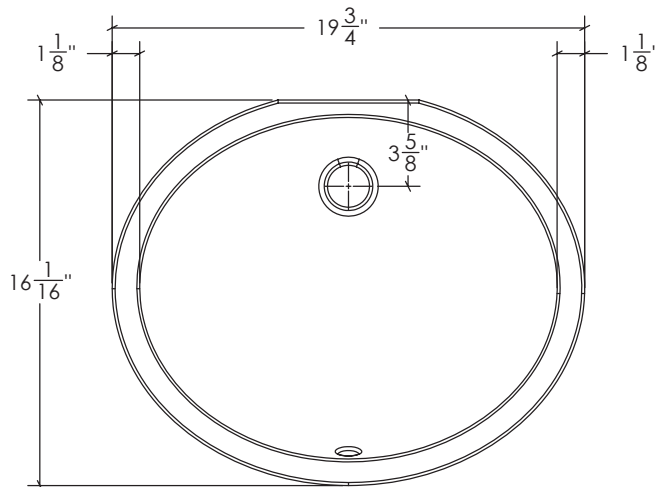
## PS-104

### FEATURES:

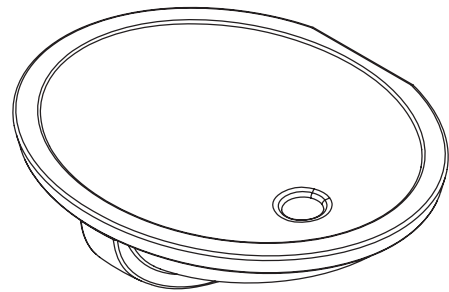
- \* Sink Size: 17 1/2" x 14 1/8" x 7 1/2"
- \* Material: Vitreous China
- \* For Under Counter Use
- \* Recommended Drain: DS-001
- \* For Faucets With Overflow
- \* For Use With Standard Pop Up Drain
- \* Warranty: One Year Limited Warranty
- \* Does Not Include Mounting Clips

### CODES / STANDARDS APPLICABLE

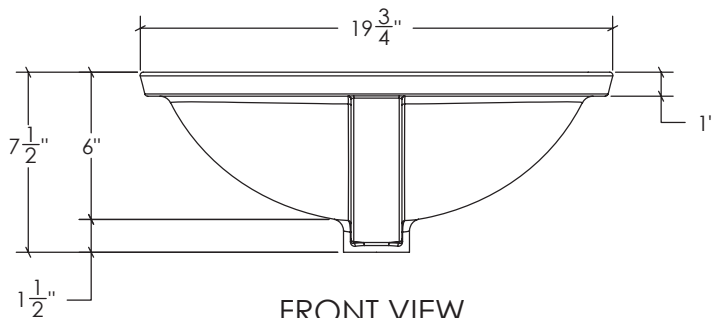
- \* CSA B45
- \* ASME A112.19.2



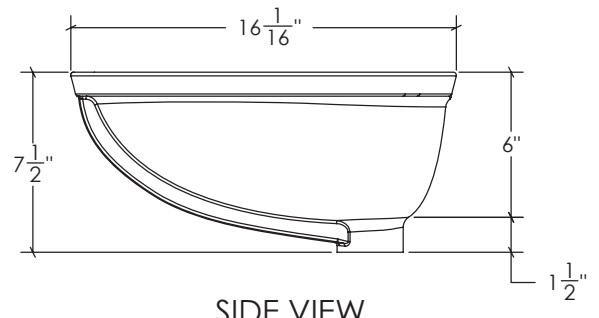
TOP VIEW



3D VIEW



FRONT VIEW



SIDE VIEW

\* Specifications and drawings provided on this sheet are for illustration only. Cantrio Koncepts will not be held responsible for cutouts made without the actual product or product template.