

KHT301-18

18" Topmount Single Bowl Stainless Steel Kitchen Sink

Satin Finish

Kräus®

SPECIFICATION SHEET

Stainless Steel

Thickness 16 Gauge

Bowl Configuration

Single Bowl

Installation Type

Topmount

Recommended Minimum Cabinet Size

20" Front to Back

20" Left to Right

Bowl Dimensions

Front to Back: 14"

Left to Right: 16"

Depth: 10"

Rim Dimensions

Front to Back: 18"

Left to Right: 18"

Drain Size

3 1/2" (89mm)

Drain Location

Rear Center

Included with Product

NoiseDefend Undercoating

NoiseDefend Sound Dampening Pads

Strainer ST-1

Cover Cap STC-2

Grid Model No. KBG-P2318

Installation Template

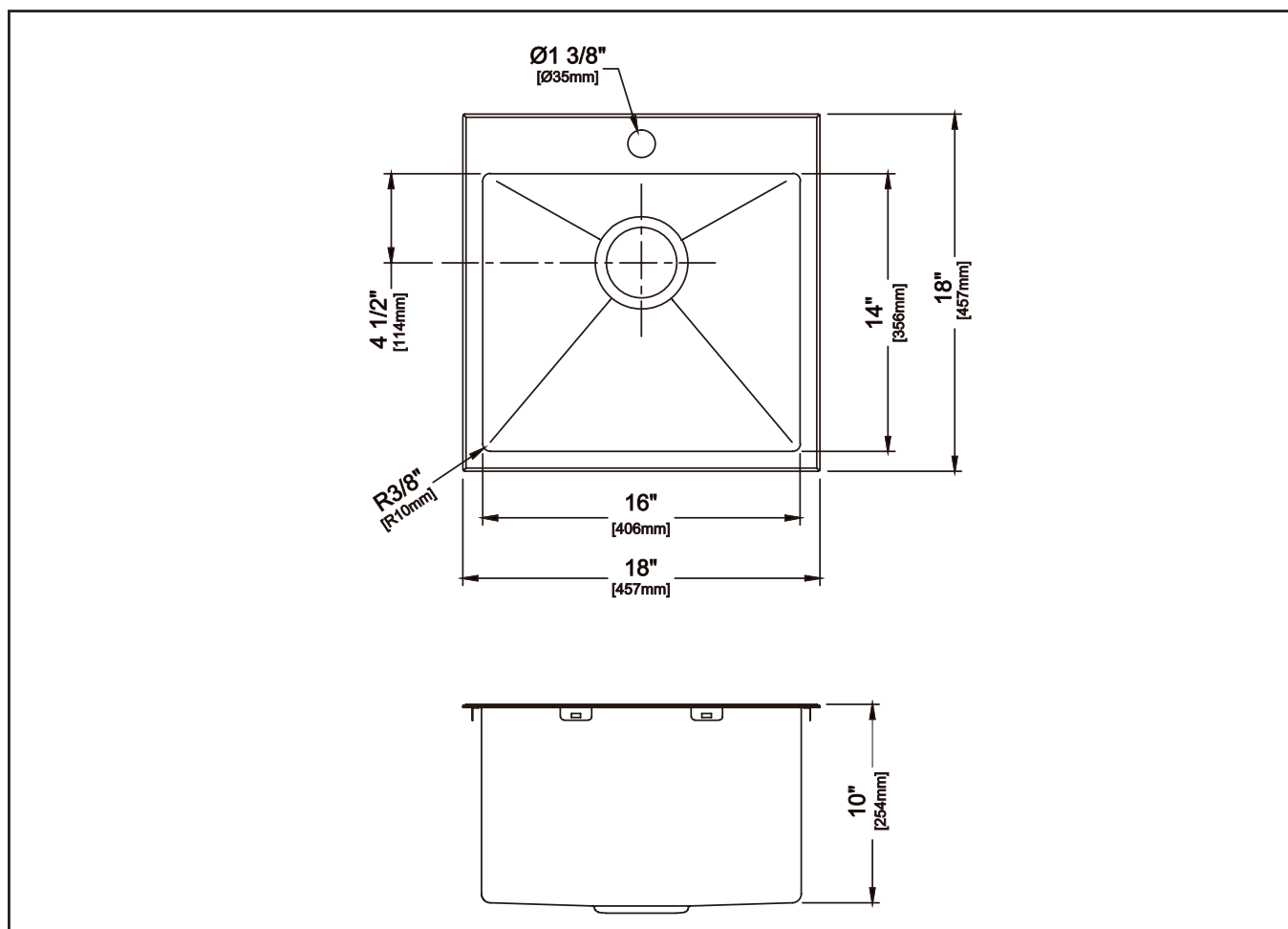
Towel

Warranty

Kraus Lifetime Limited Warranty

Product Certification

cUPC (ASME A112.19.3/CSA B45.4)



REV. July 27, 2018