

# KHF410-33

## 33" Single Bowl Stainless Steel Kitchen Sink

Satin Finish

# Kräus®

SPECIFICATION SHEET

### Stainless Steel

Thickness 16 Gauge

### Bowl Configuration

Single Bowl

### Installation Type

Undermount

### Recommended Minimum Cabinet Size

24" Front to Back

36" Left to Right

### Bowl Dimensions

Front to Back: 17-1/4"

Left to Right: 30-7/8"

Depth: 10"

### Rim Dimensions

Front to Back: 20-3/4"

Left to Right: 32-7/8"

### Drain Size

3 1/2" (89mm)

### Drain Location

Rear Center

### Included with Product

NoiseDefend Undercoating

NoiseDefend Sound Dampening Pads

Strainer ST-1

Cover Cap STC-2

Grid Model No. KBG-410-33

Installation Template

Undermount Mounting Clips

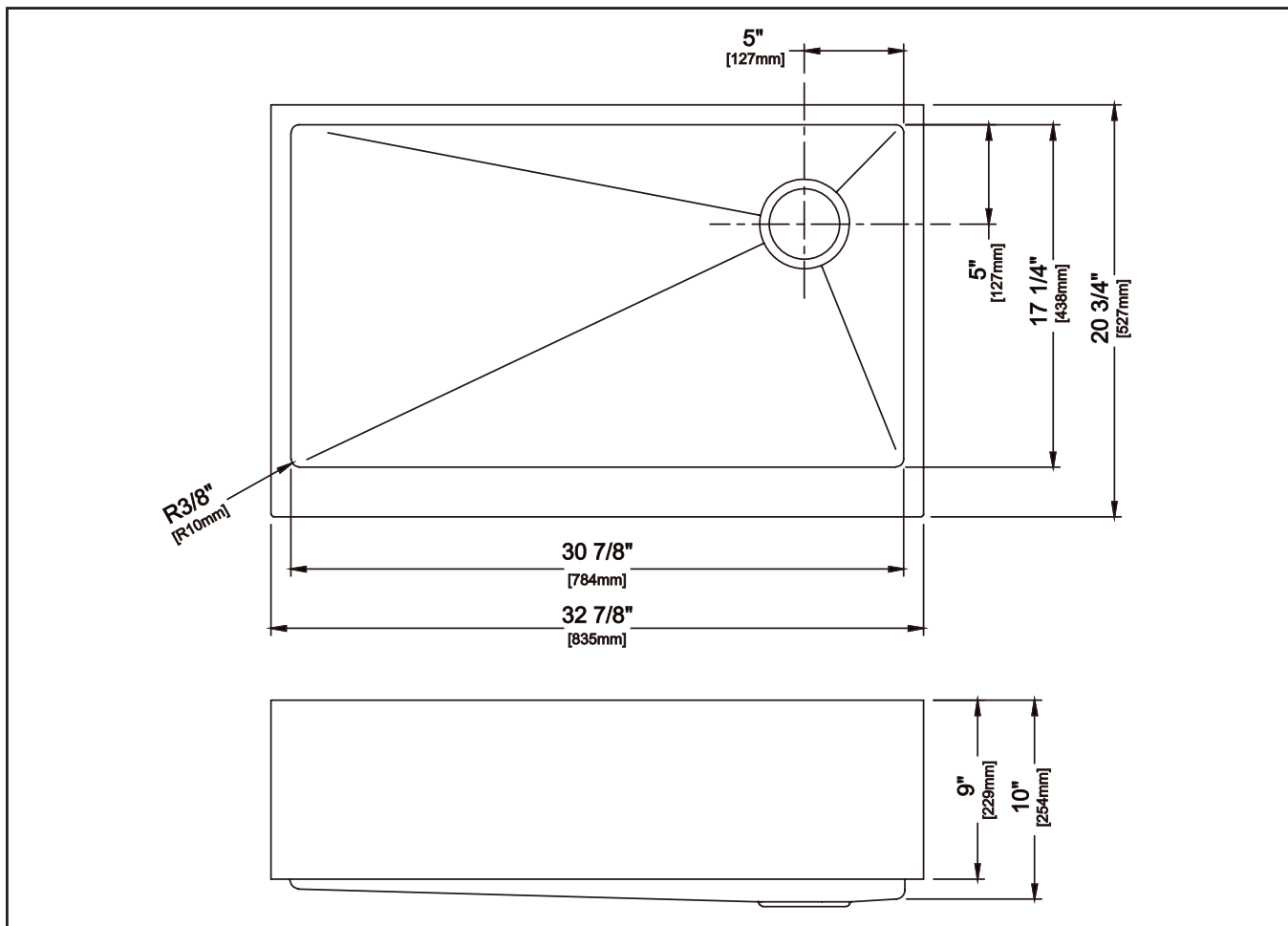
Towel

### Warranty

Kraus Lifetime Limited Warranty

### Product Certification

cUPC (ASME A112.19.3/CSA B45.4)



REV. July 27, 2018