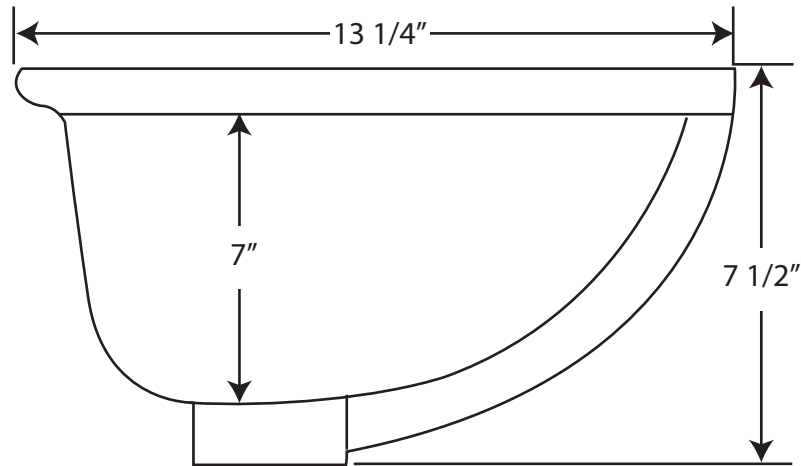
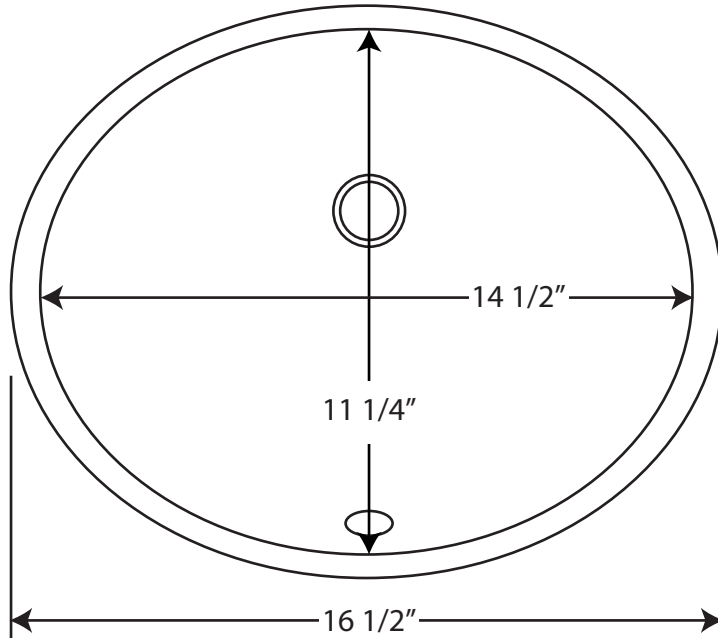


WHU71001



Weight

10 lbs.