

### Model Series Compatibility

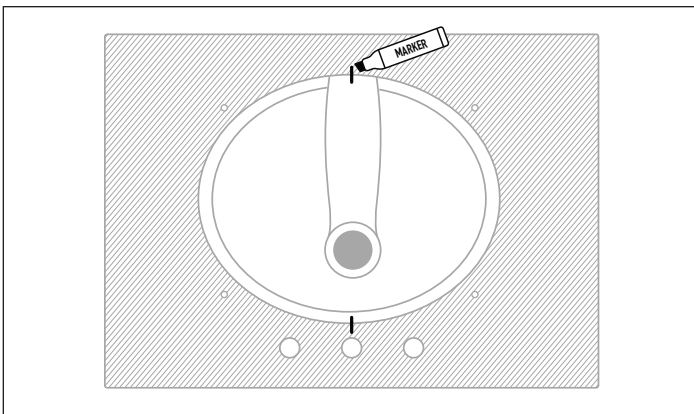
- A** Cambridge    **E** Hollandale    **M** Stafford
- B** Americano    **F** Hamlet
- C** Westwood    **G** Shakespeare
- D** Kensington    **L** Adams

### Required For Installation

- ✔ Sink basin
- ✔ Countertop
- ✔ Backsplash
- ✔ Permanent marker
- ✔ Sealant: Liquid Nails - LN-933, Loctite - PL530, GE Silicone II-#M90010
- ✔ Caulking gun
- ✔ Wing bolts
- ✔ Undermount clips
- ✔ Epoxy: Loctite-#1365868, Gorilla Glue-#4200101

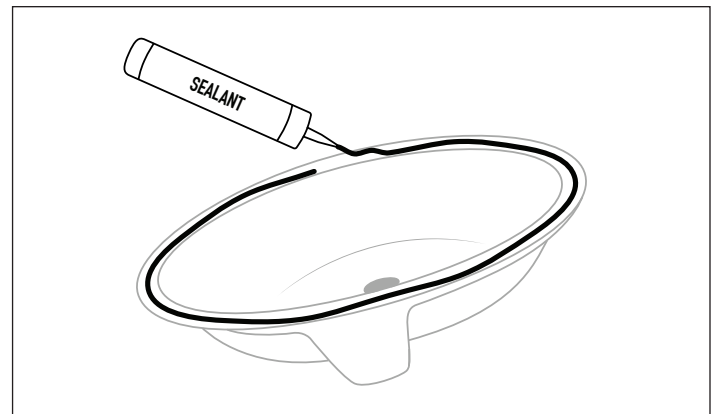
### 01. Place & Trace

Place the sink basin on the bottomside of the countertop and create mark guides onto the countertop and sink basin.



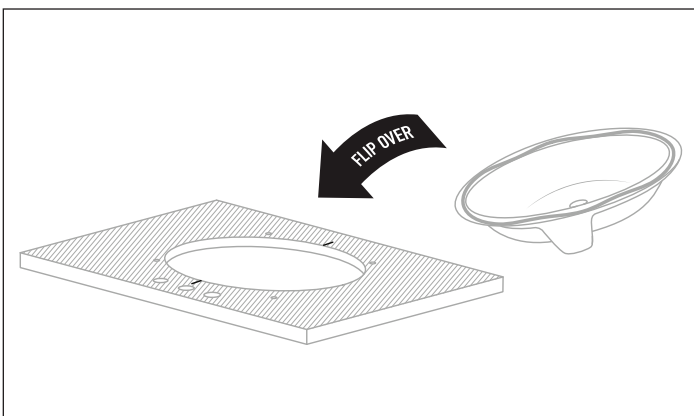
### 02. Prepare Sink Basin

Apply a heavy amount of sealant around the topside of the sink basin's edge using a caulking gun.



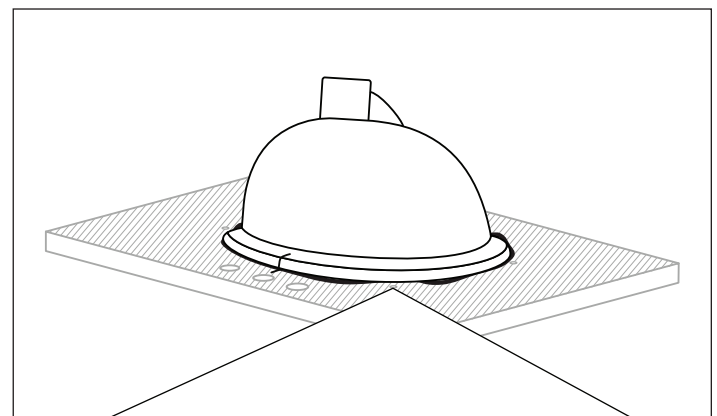
### 03. Flip Over & Place

Flip the sink basin over and carefully place it within the guidemarks on the bottomside of the countertop.



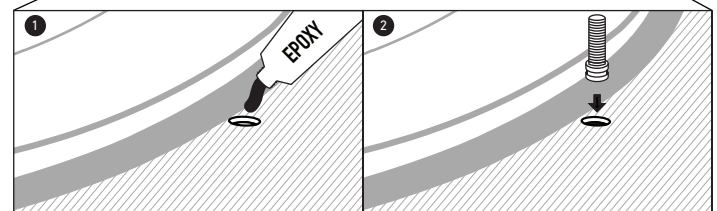
### 04. Dry in Place

Once the sink basin is placed in the desired position, press down and smooth out any excessive caulk with your finger. ❶



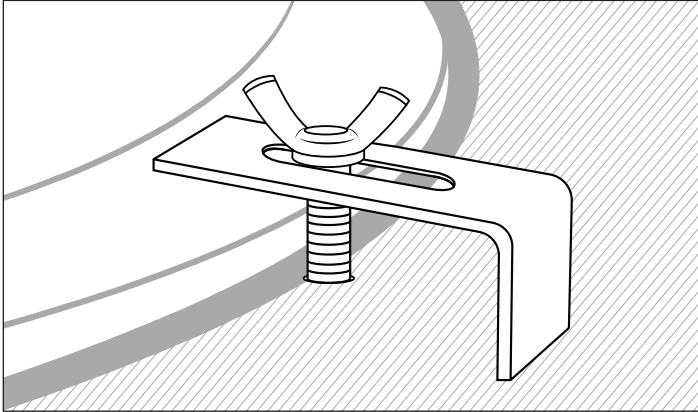
### 05. Preparing Stud Bolts

Fill small divots in countertop with epoxy.  
 Insert stud bolt with male end facing upwards.  
 ❶ Allow 12 - 24 hours to dry along with the sink basin.



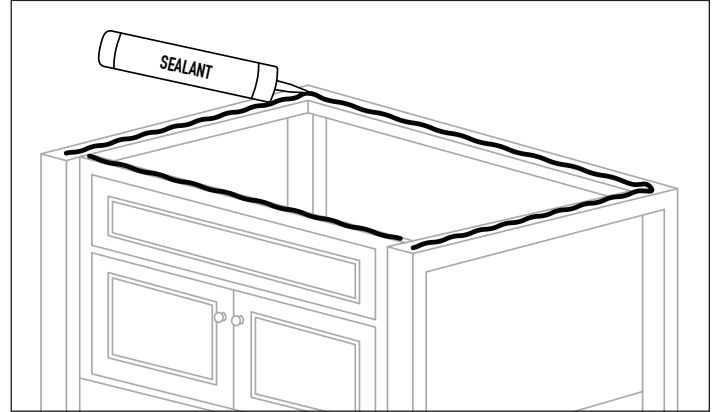
### 05. Attach Undermount Clip

Attach the undermount clips using the provided wing bolts to hold the sink basin in place. Apply sealant to the bolt for added stability.



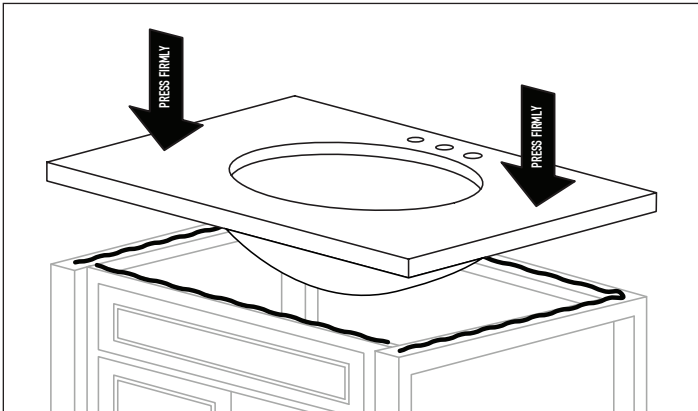
### 06. Prepare Cabinet

Apply sealant around the topline of the cabinet's edge using a caulking gun.



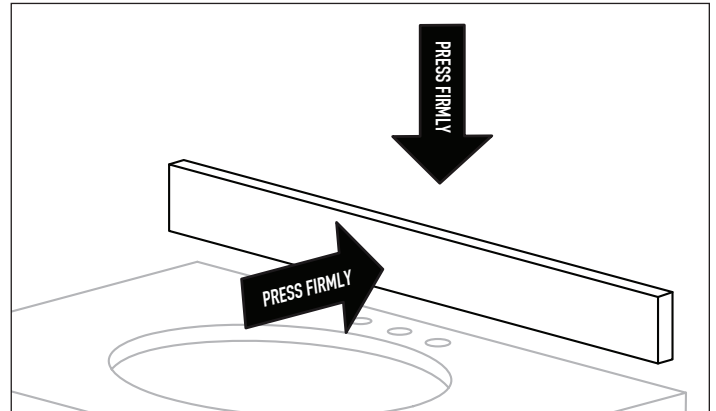
### 07. Countertop to Cabinet

Carefully place the countertop and sink onto the cabinet and press down firmly. Make sure to clean away any excessive sealant.



### 08. Backsplash Installation

Apply sealant onto the backside of the backsplash and carefully place into position. Press firmly and smooth out any excessive sealant with your finger.



### Need Further Assistance?

For more help, please contact us and one of our trusted experts will be more than happy to provide guidance.

# 800-509-5070

Monday-Friday from 9:00am-5:00pm (PST)