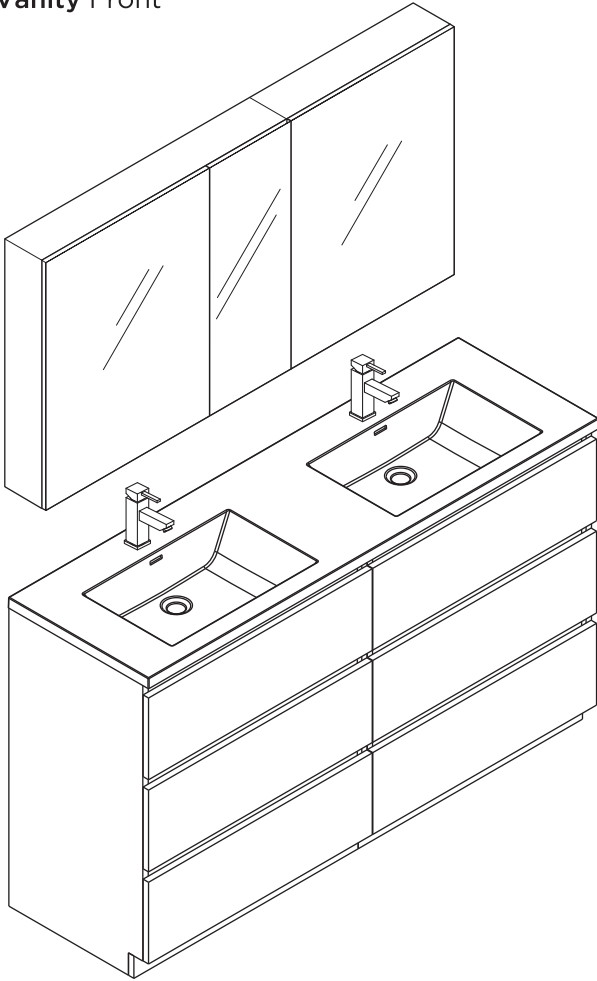


FVN93-3030
SENZA
 INSTALLATION GUIDE

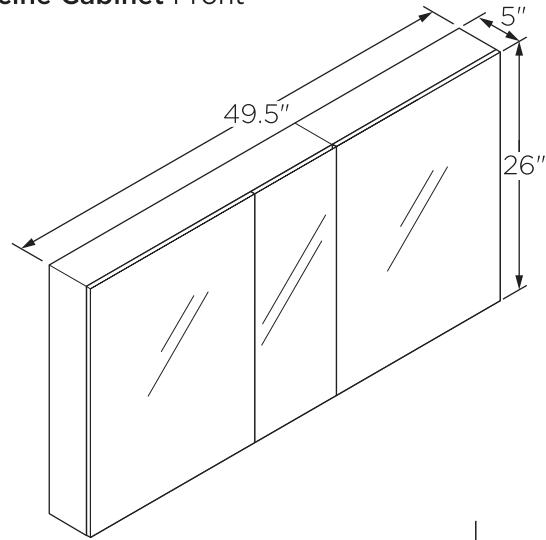
kitchensource.com
 1.800.667.8721



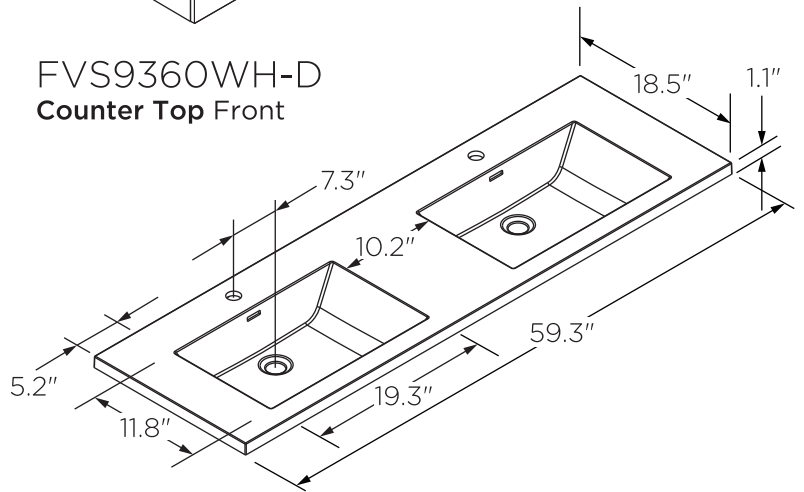
FVN93-3030
 Vanity Front



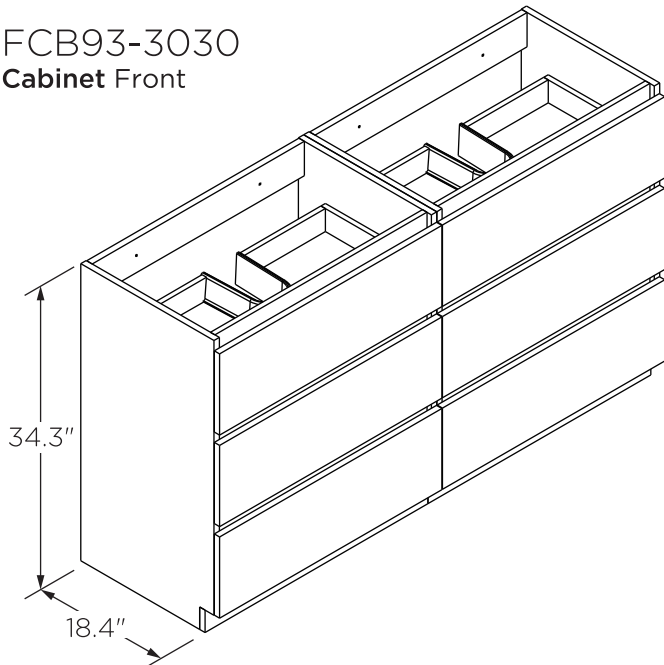
FMC8013
 Medicine Cabinet Front



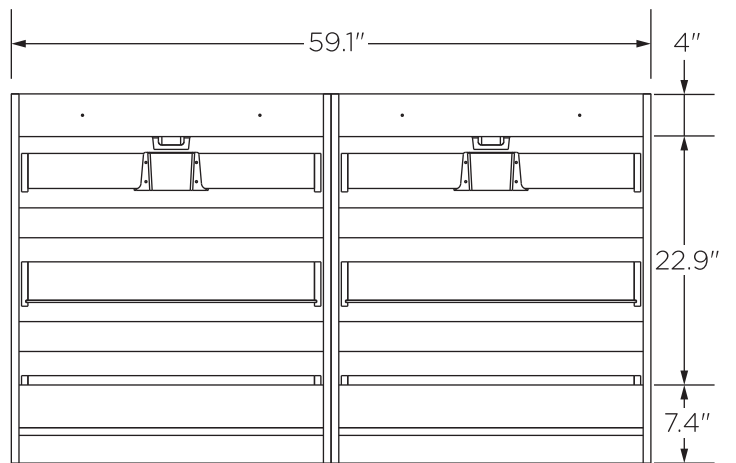
FVS9360WH-D
 Counter Top Front



FCB93-3030
 Cabinet Front



FCB93-3030
 Cabinet Back



NOTE: All dimensions & specifications are approximate and subject to change without notice.