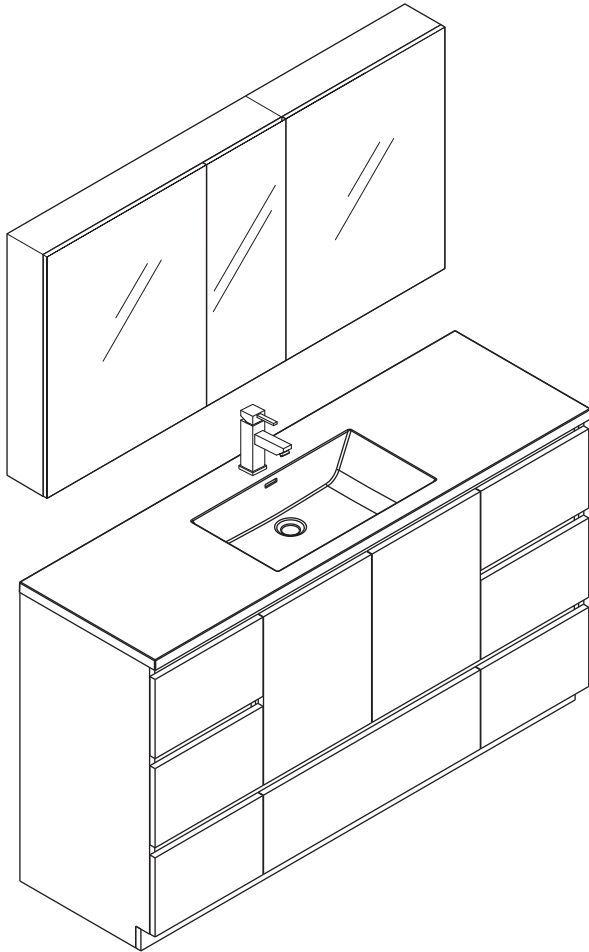


FVN9360-S
SENZA
INSTALLATION GUIDE

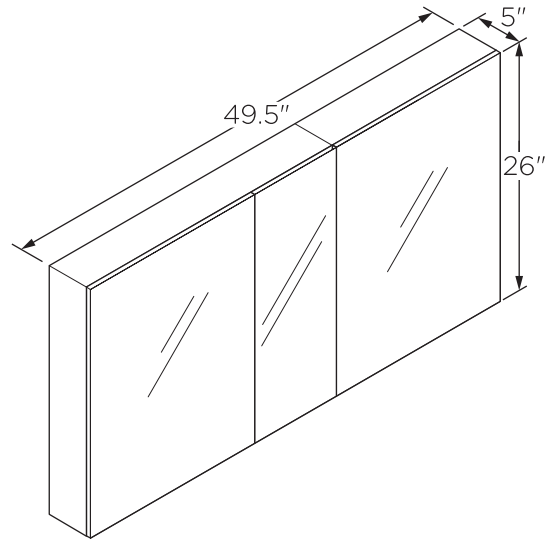
kitchensource.com
1.800.667.8721



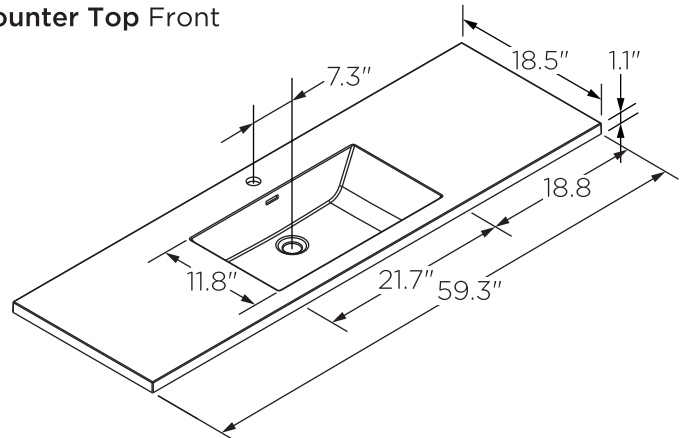
FVN9360-S
Vanity Front



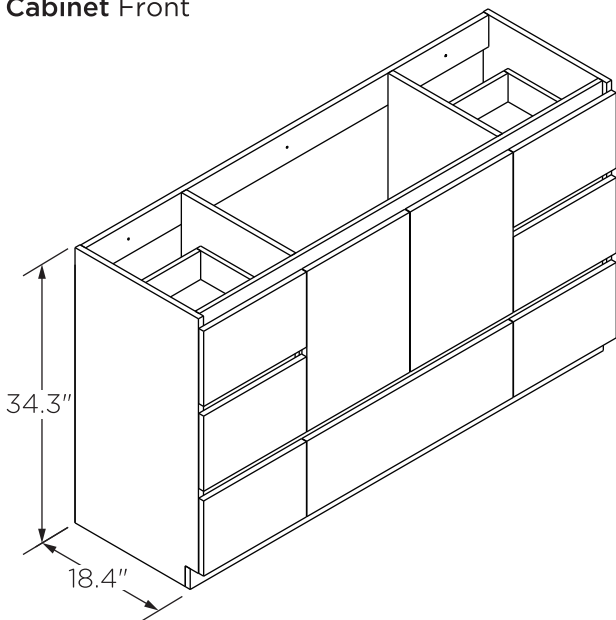
FMC8013
Medicine Cabinet Front



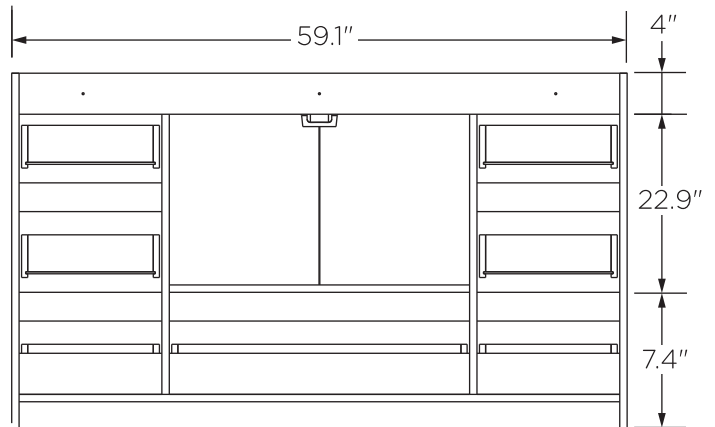
FVS9360WH-S
Counter Top Front



FCB9360-S
Cabinet Front



FCB9360-S
Cabinet Back



NOTE: All dimensions & specifications are approximate and subject to change without notice.