

# CAMBRIDGE 73" DOUBLE SINK CABINET

A073D

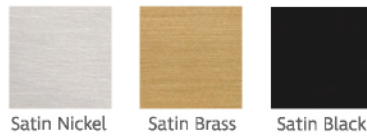
## BASE CABINET DIMENSIONS

72" W x 21.5" D x 34.5" H

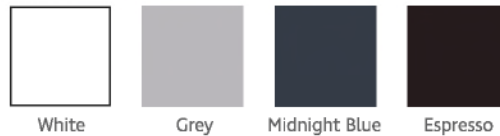
## FEATURES

- Solid wood frame & plywood panels
- Dovetail drawers joints
- Soft closing doors & drawers

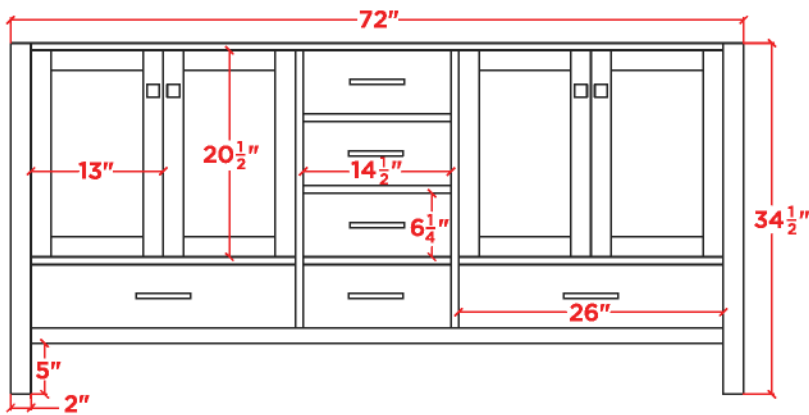
## HARDWARE FINISHES



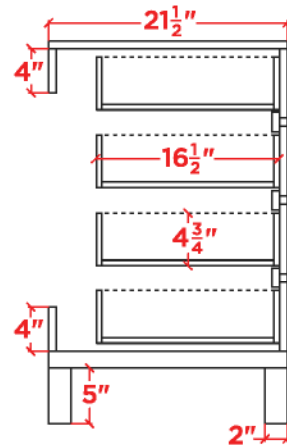
## AVAILABLE COLORS



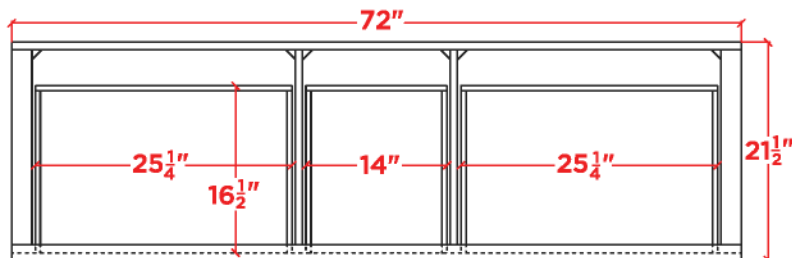
FRONT VIEW



SIDE VIEW



PLAN VIEW



# 73" DOUBLE OVAL SINK COUNTERTOP

## OVERALL DIMENSIONS

73" W x 22" D x 1.5" H

## COUNTERTOP OPTIONS



White Quartz  
WQ-073D-OVL-CT



Carrara Marble  
CW-073D-OVL-CT

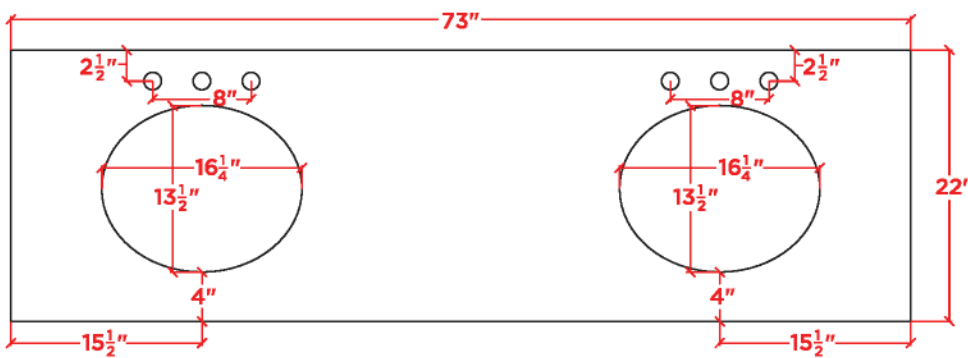
## FEATURES

- Solid countertop with mitered edges & seams
- Undermount white rectangular sink
- Pre-drilled for 8" widespread faucet

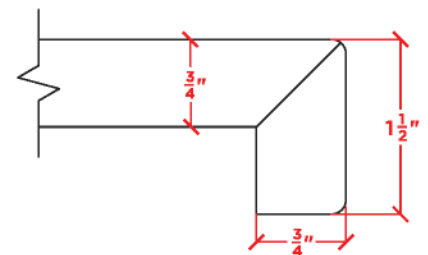
## INCLUDED

- Countertop
- Matching Backsplash
- Oval Sinks

## COUNTERTOP PLAN VIEW



## EDGE SIDE VIEW



## THREE DIMENSIONAL COUNTERTOP VIEW

