

ARIEL

STAFFORD 85" DOUBLE SINK VANITY SET

MODEL: M085D

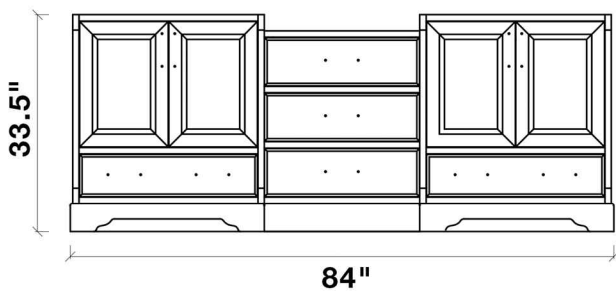
- Cabinet Size Two 30"W x 21.5"D x 33.5"H Cabinets with 24"W x 19.5"D x 31"H Middle Cabinet
- Mirror Size Two 23.6"W x 31.5"H Mirrors & One 24"W x 11"D x 54"H Medicine Cabinet
- Features
- Solid Wood Construction
 - Four Soft-Closing Doors
 - Six Full-Extension, Dove Tail Construction, Soft-Closing Drawers (Five on Base Cabinet and One on Mirror Cabinet)
 - Satin Nickel Finish Hardware
 - Matching Framed Mirrors Included



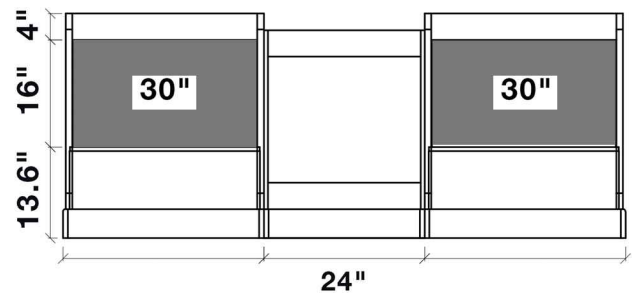
COLLECTION:

ARIEL STAFFORD

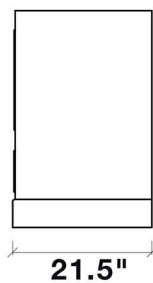
FRONT



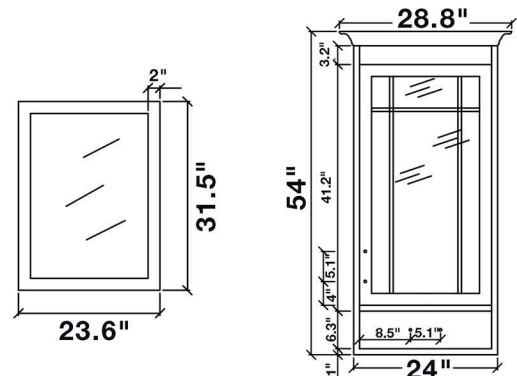
BACK VIEW



SIDE VIEW



MIRROR VIEW



ARIEL

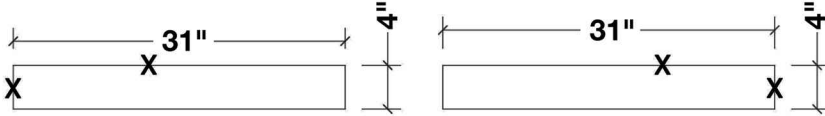
WHITE QUARTZ COUNTERTOP

MODEL: M085D-CT

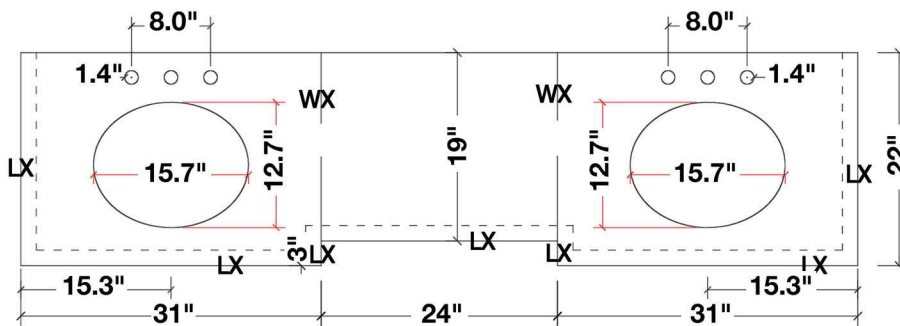
- | | |
|------------|---|
| Dimensions | Two 30.5"W x 22"D x 1.5"H Countertops with 24"W x 19.5"D x 1.5"H Middle Countertop |
| Features | <ul style="list-style-type: none">• White Quartz Countertop w 1.5" Edge and Matching Backsplash• Countertop Pre-Drilled for 8" Widespread Faucets• Two Ceramic, Round, UPC Certified Under-Mount Sinks• Matching Backsplash Included |

All stone tops are finished by hand, pre-drilled for 8" widespread faucets, and double-sealed for scratch resistance and long term durability.

BACKSPLASH



TOP VIEW



1.5" EDGE SIDE VIEW

