

**ARIEL**

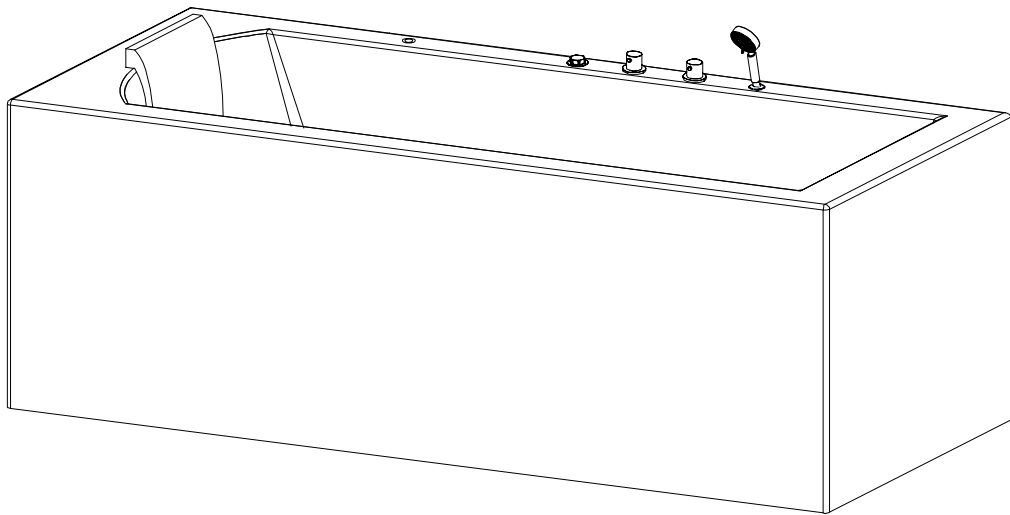
---

# Whirlpool Installation Manual

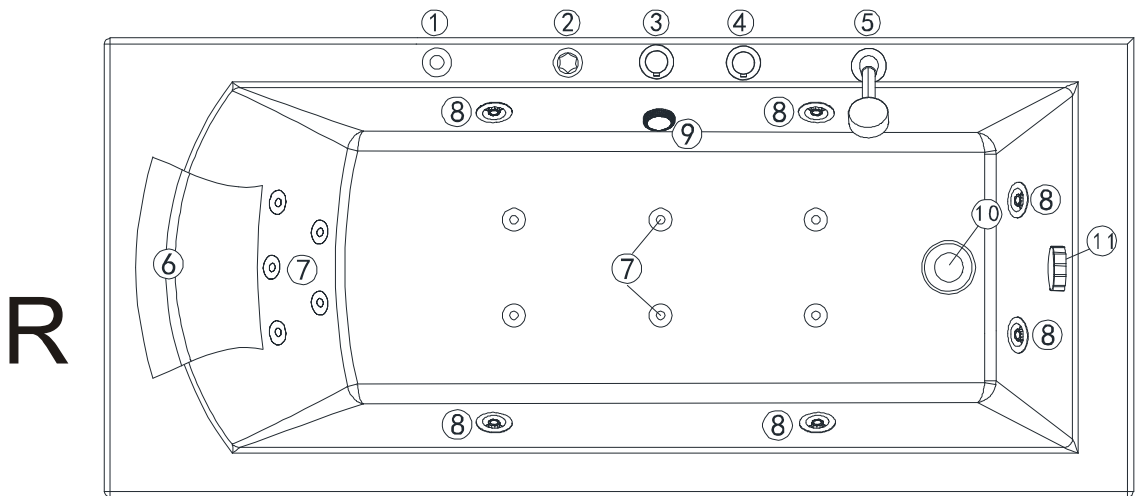
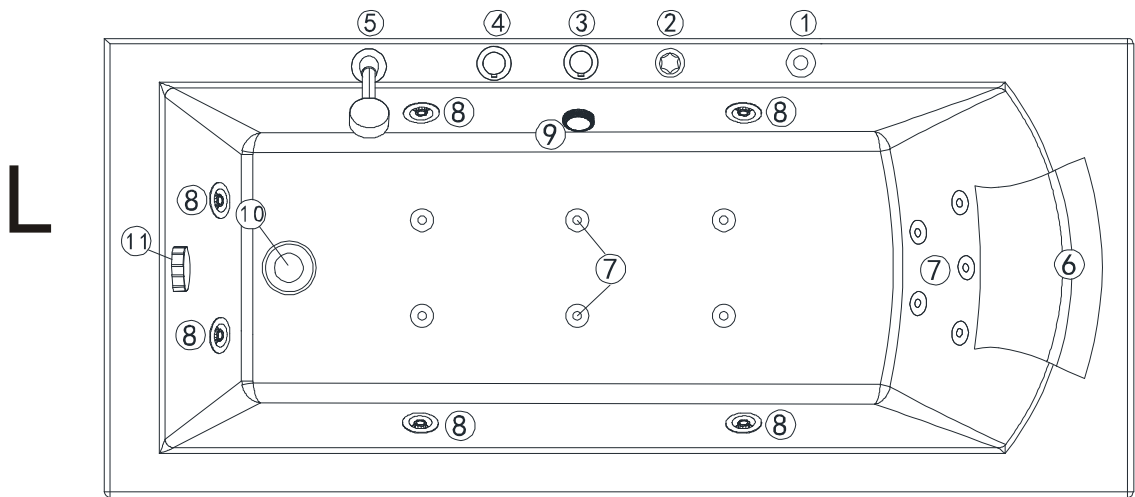
**ARIEL**

**PW1545930LW1**

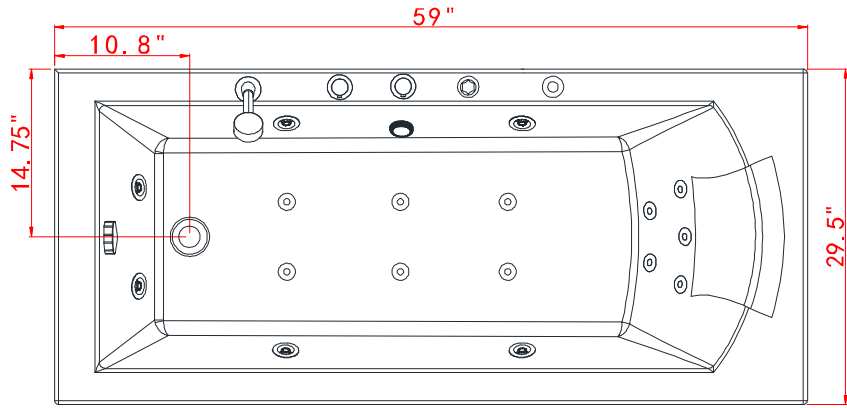
**PW1545930RW1**



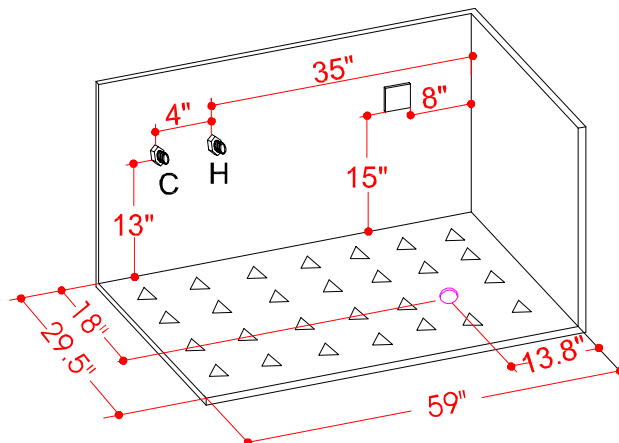
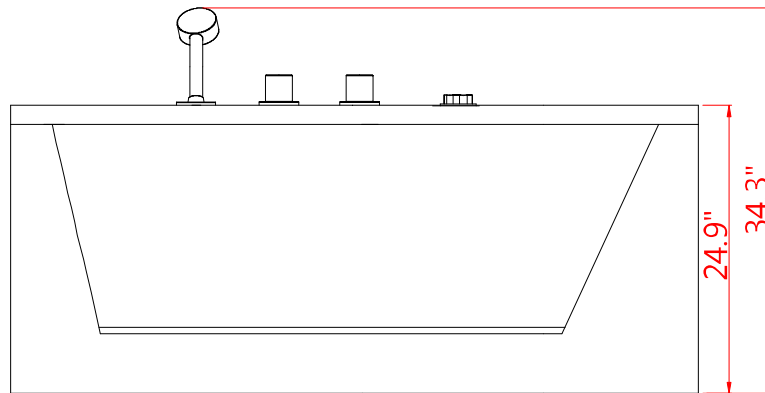
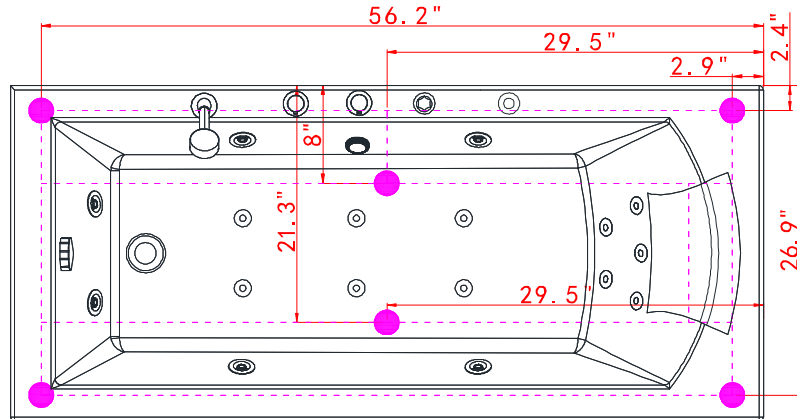
Serial Number:



| No. | English               | No. | English                      |
|-----|-----------------------|-----|------------------------------|
| 1   | Pneumatic Swith       | 7   | Water Jet                    |
| 2   | Air Regulator         | 8   | Multiple Direction Water Jet |
| 3   | Thermostatic Selector | 9   | Water Suction                |
| 4   | Function Selector     | 10  | Drain                        |
| 5   | Shower Wand           | 11  | Overflow Drain & Drain Knob  |
| 6   | Headrest              |     |                              |

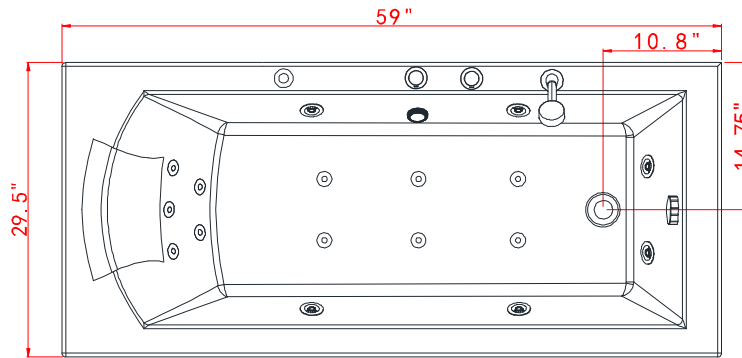


**\*Actual Drain-Cutout Location**

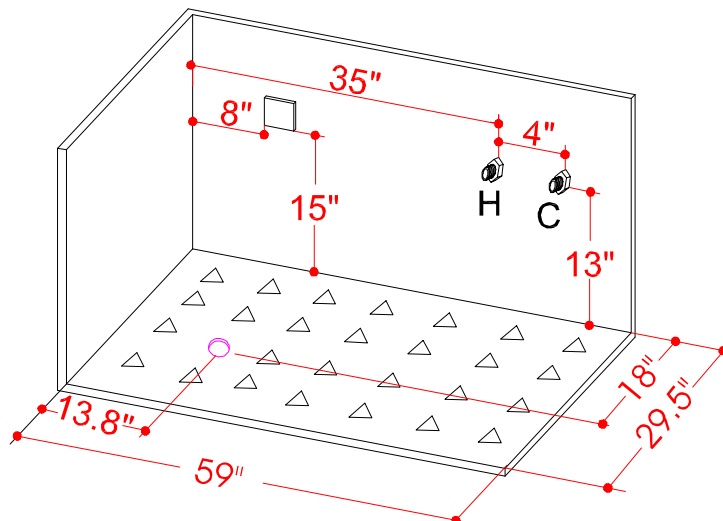
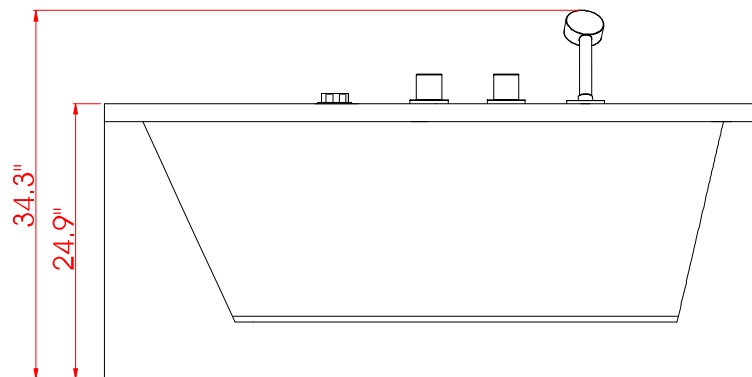
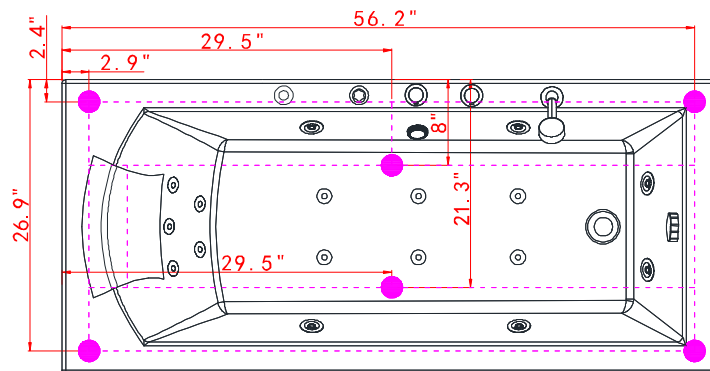


**\*Optional: Flex-Drain Drain Location**

All measurements are given in Inches  
 Designs and sizes can vary. We accept no liability for errors,  
 manufacturing tolerance and product changes.



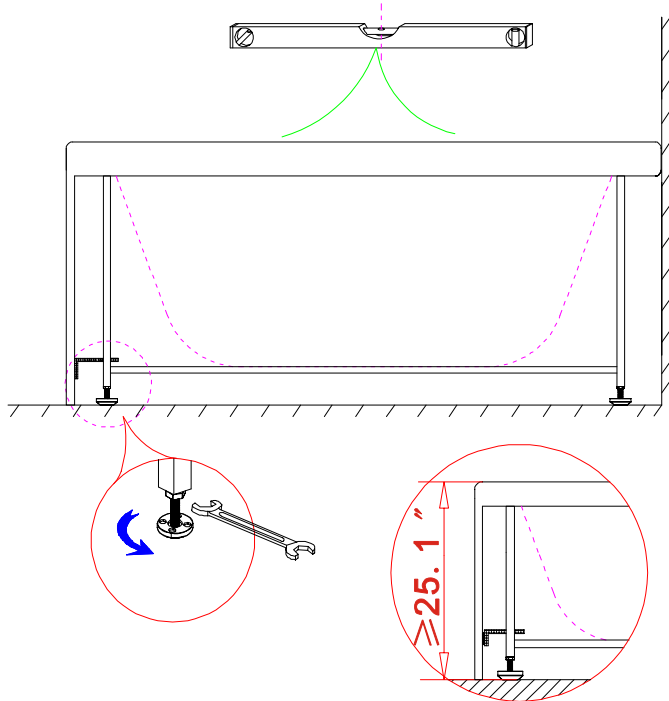
**\*Actual Drain-Cutout Location**



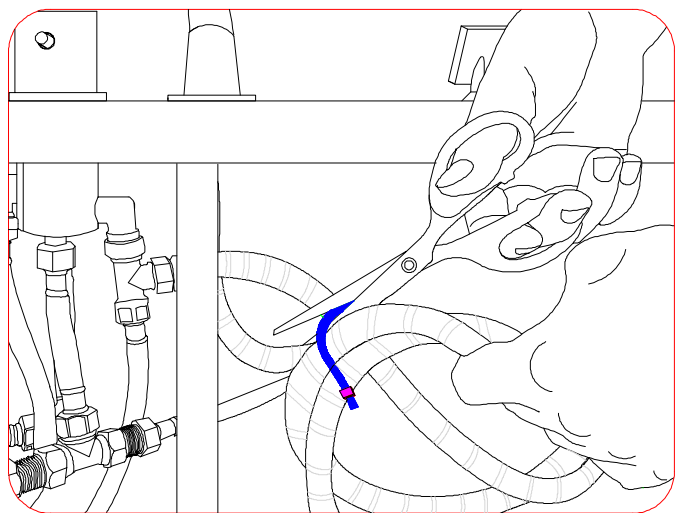
**\*Optional: Flex-Drain Drain Location**

All measurements are given in Inches  
 Designs and sizes can vary. We accept no liability for errors,  
 manufacturing tolerance and product changes.

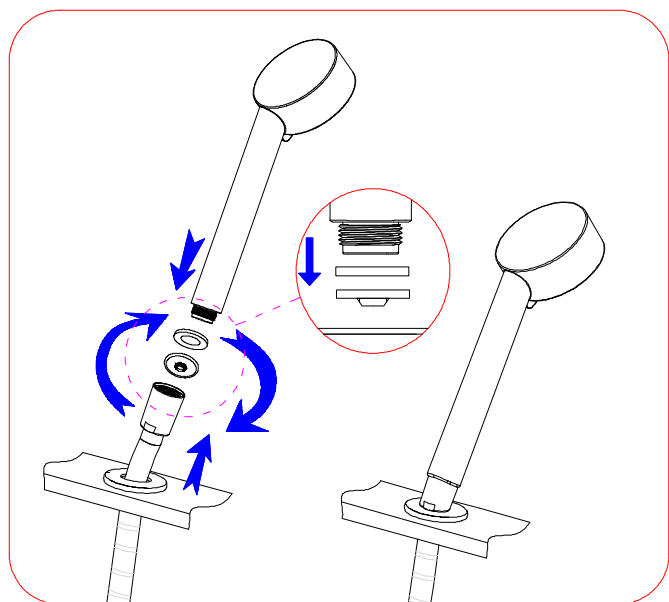
1



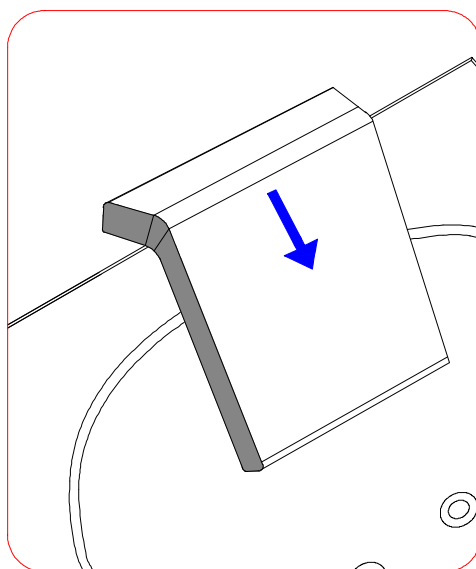
2



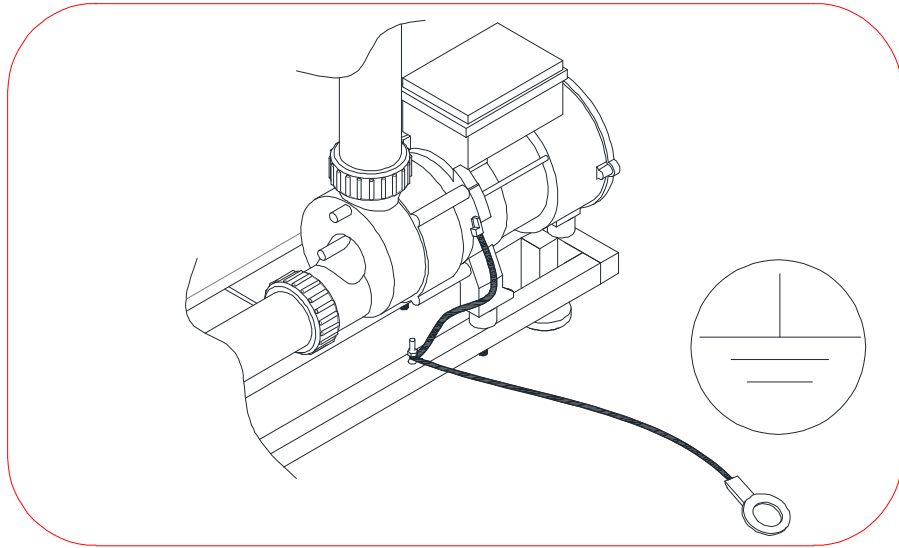
3



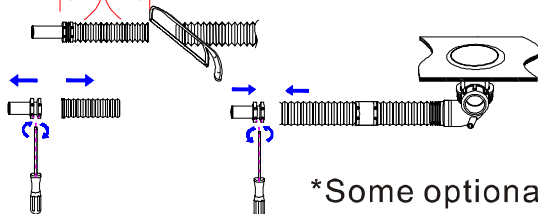
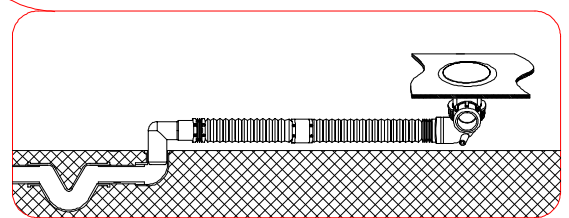
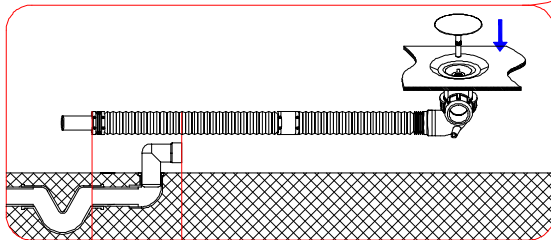
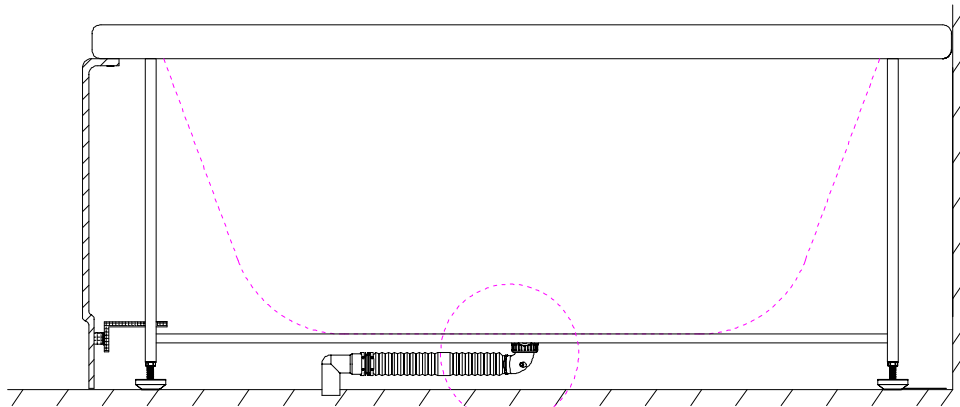
4



5

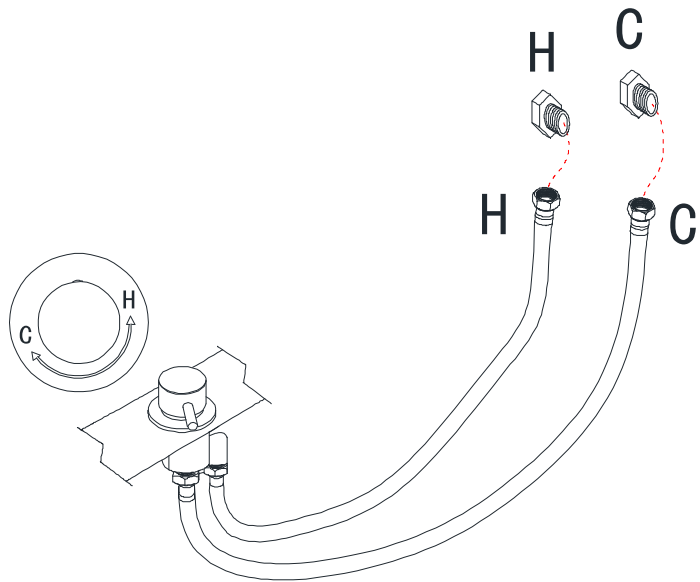


6



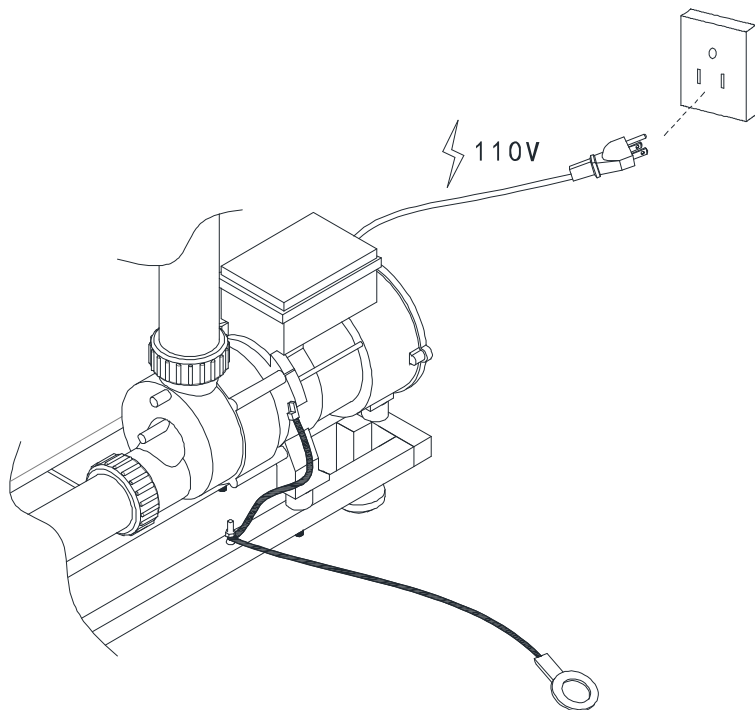
\*Some optional features maybe shown: Flex-Drain Hose

7

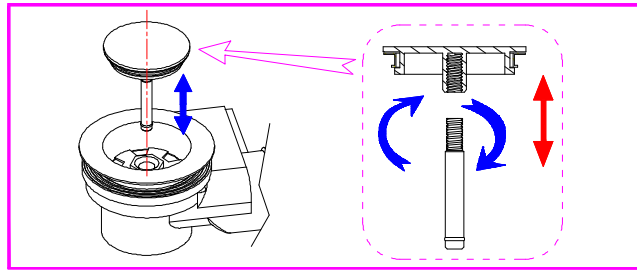
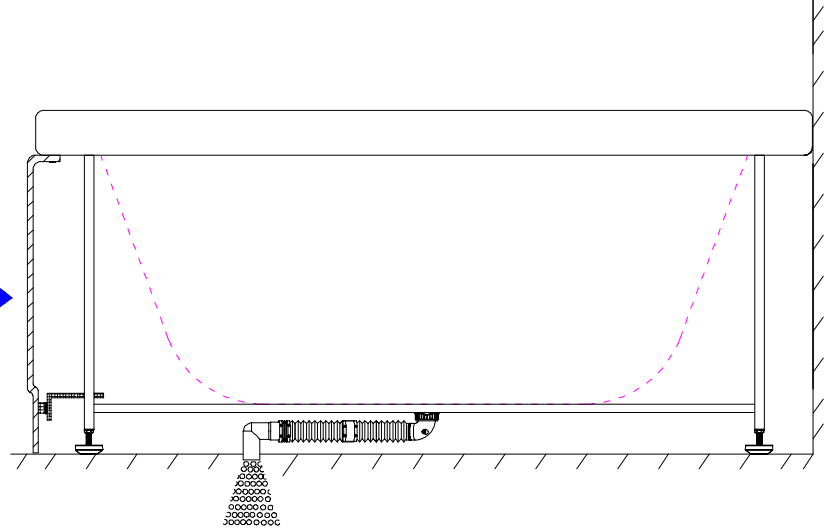
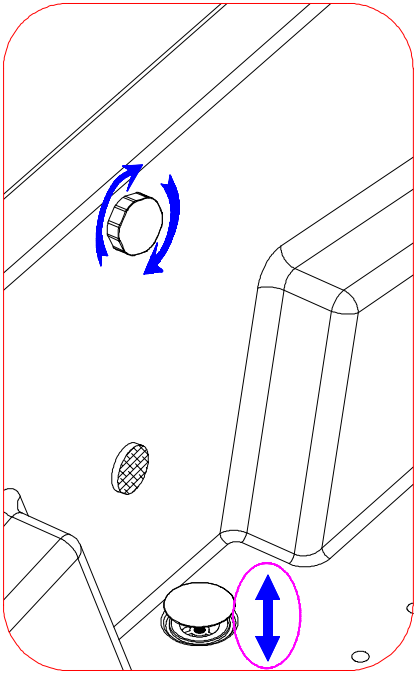


8

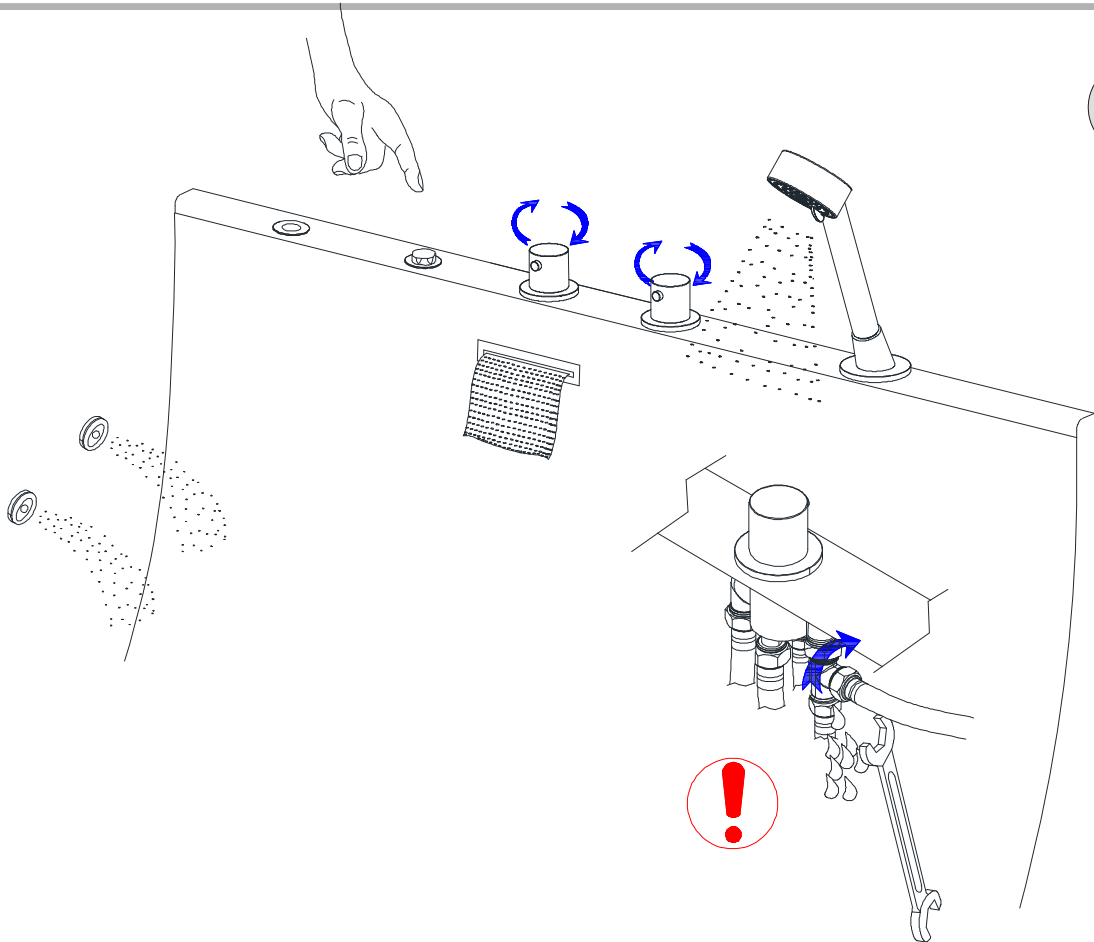
Power socket



9



10

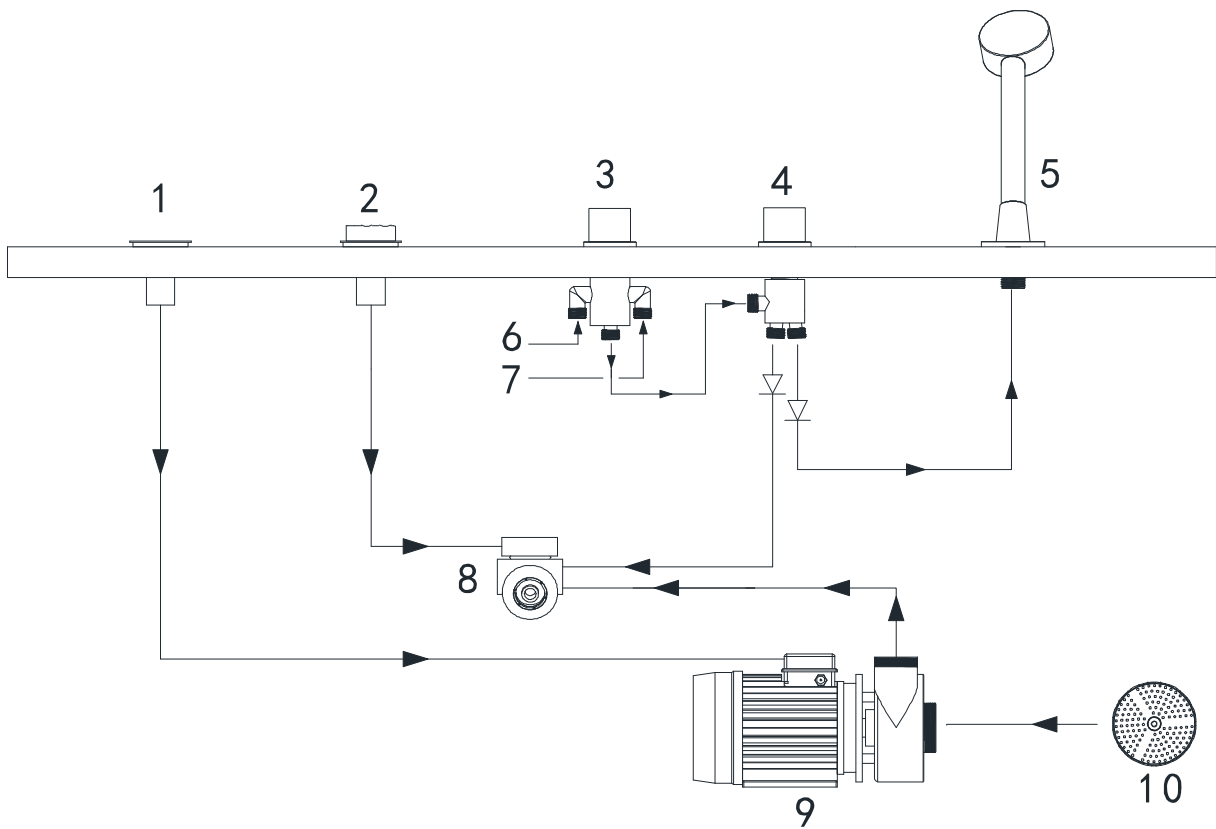




# Technical Parameters

|                                |                                      |
|--------------------------------|--------------------------------------|
| Rated Voltage                  | AC110-120V 60Hz                      |
| Rated Current                  | 9A                                   |
| Normal Rated Power             | 1100W                                |
| Recommended Power Service      | GFCI-Protected 30A                   |
| Water Pipe Dimension           | 1/2"                                 |
| Drainage Pipe Dimension        | 1 1/2" (40mm)                        |
| Max. Hot Water Temperature     | 176°F (80°C)                         |
| Recommended Hot Water          | 149°F (65°C)                         |
| Operating Pressure             | Max 116 PSI (8 bar / 0.8 mPa)        |
| Recommended Operating Pressure | 14.5-72.5 PSI (1-5 bar / 0.1-0.5mPa) |

# Flowchart



| No. | English               | No. | English                 |
|-----|-----------------------|-----|-------------------------|
| 1   | Pneumatic Swith       | 6   | Cold Water Supply Inlet |
| 2   | Air Regulator         | 7   | Hot Water Supply Inlet  |
| 3   | Thermostatic Selector | 8   | Water Jet               |
| 4   | Function Selector     | 9   | Water Pump              |
| 5   | Shower Wand           | 10  | Water Suction           |