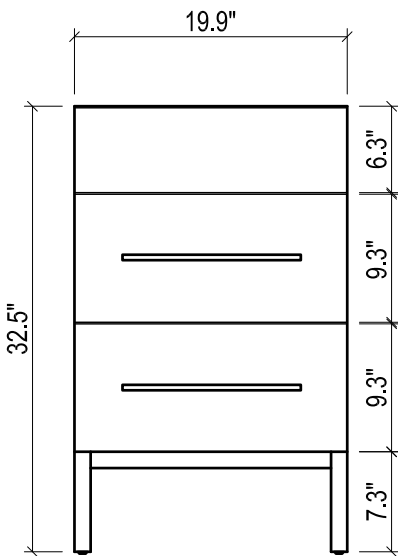
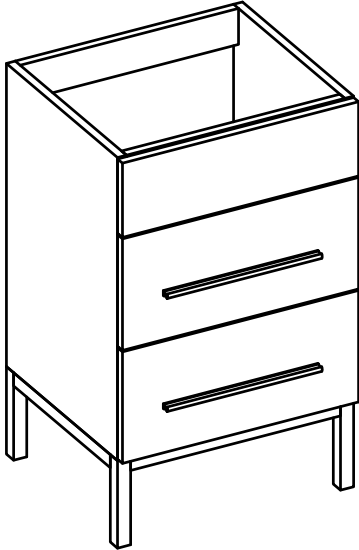
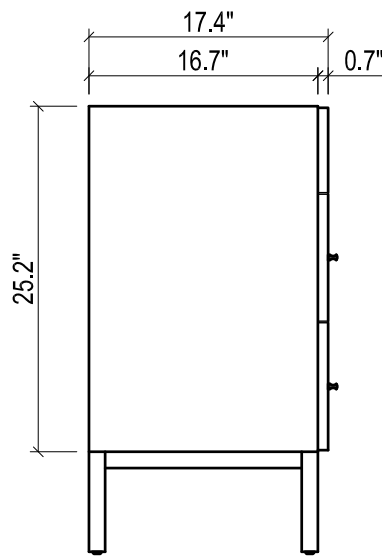


## DAYTONA FOR LAGUNA

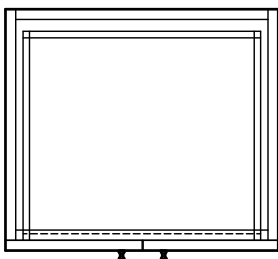
- WALL HUNG option is also available for this model.  
Vanity height without legs is 25.2".
- Quality metal BLUM (or BLUM equivalent) soft-closing hinges and/or drawer hardware are included.



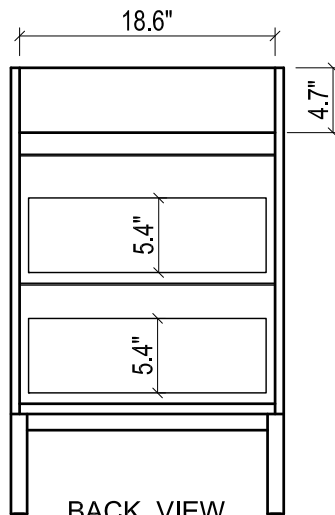
FRONT VIEW



SIDE VIEW

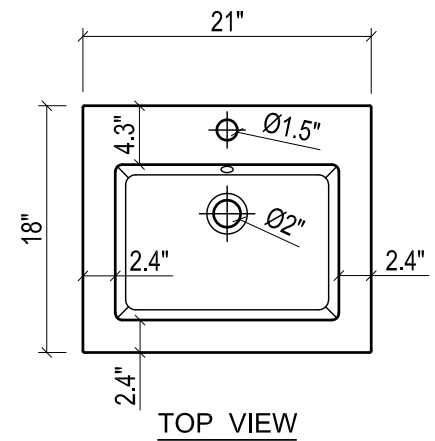
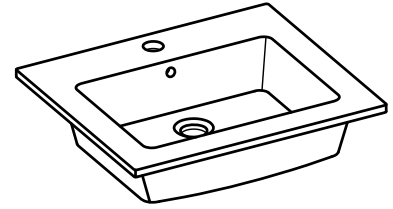


TOP VIEW

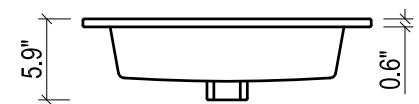


BACK VIEW

## LAGUNA CERAMIC SINK



TOP VIEW



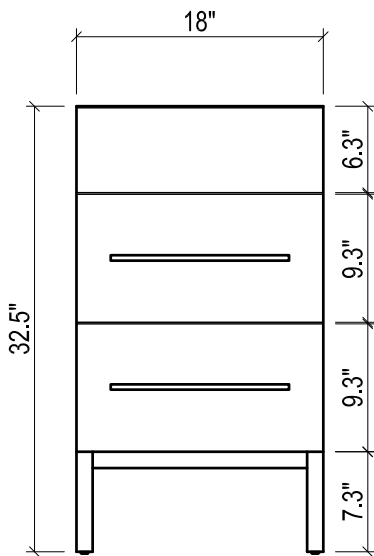
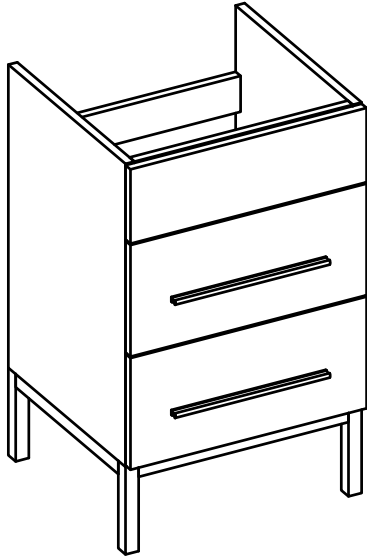
FRONT VIEW



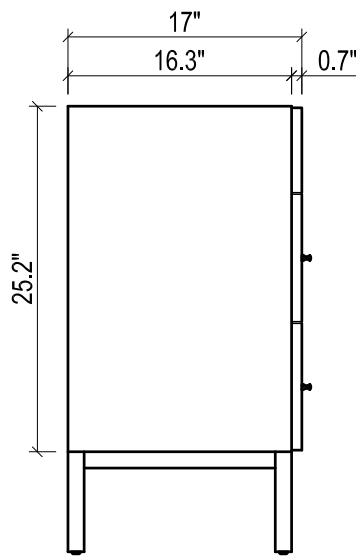
SIDE VIEW

## DAYTONA FOR MILANO

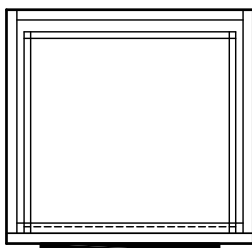
- WALL HUNG option is also available for this model.  
Vanity height without legs is 25.2".
- Quality metal BLUM (or BLUM equivalent) soft-closing hinges and/or drawer hardware are included.



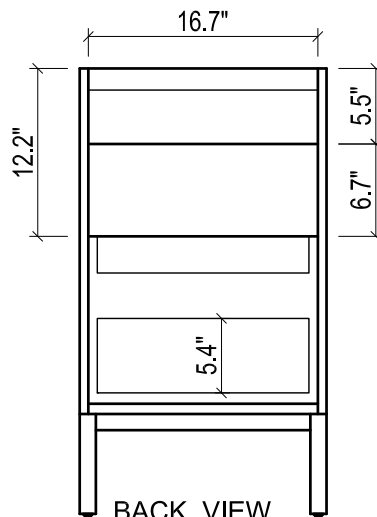
FRONT VIEW



SIDE VIEW

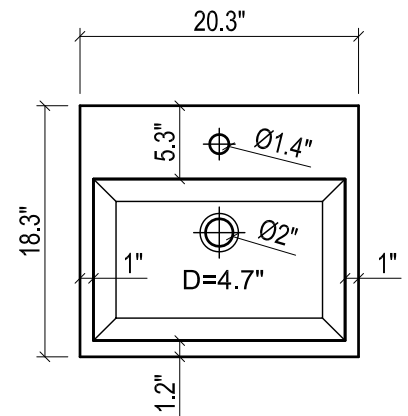
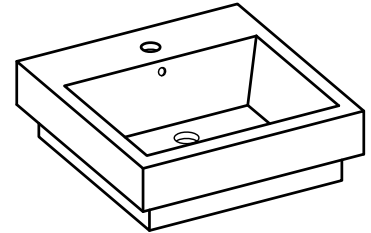


TOP VIEW

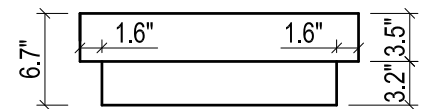


BACK VIEW

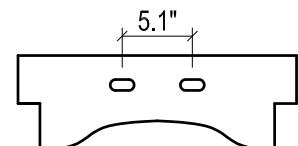
## MILANO CERAMIC SINK



TOP VIEW



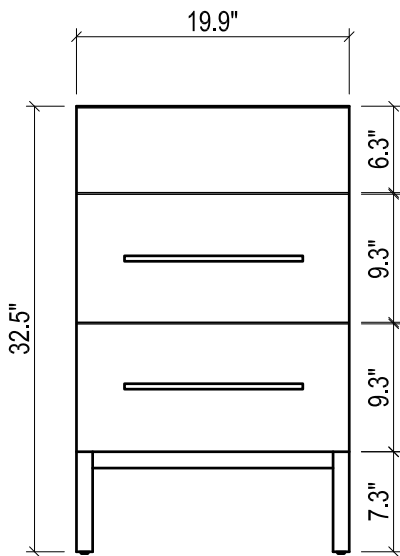
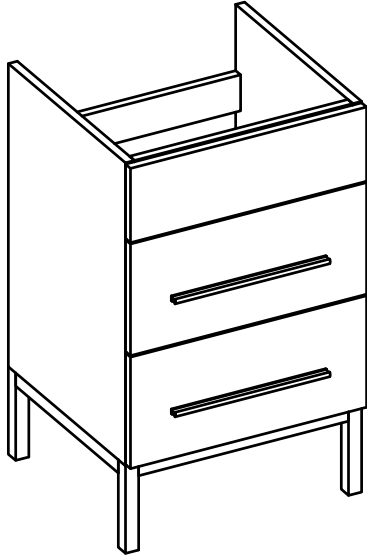
FRONT VIEW



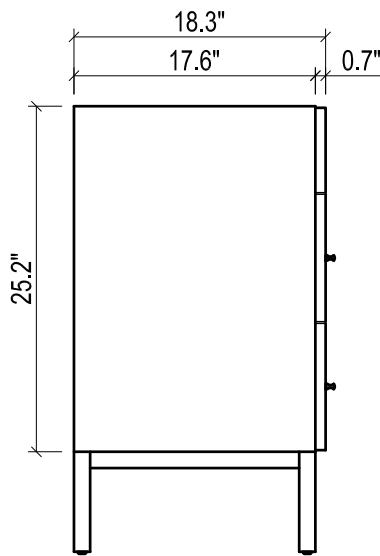
BACK VIEW

## DAYTONA FOR TRIBECA

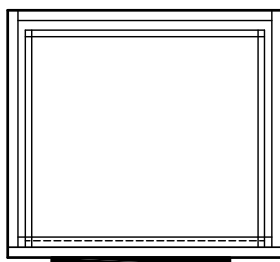
- WALL HUNG option is also available for this model.  
Vanity height without legs is 25.2".
- Quality metal BLUM (or BLUM equivalent) soft-closing hinges and/or drawer hardware are included.



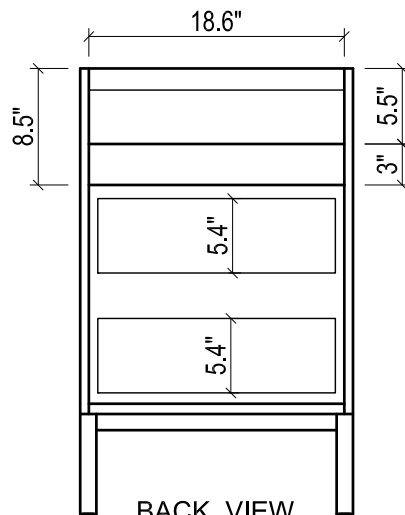
FRONT VIEW



SIDE VIEW



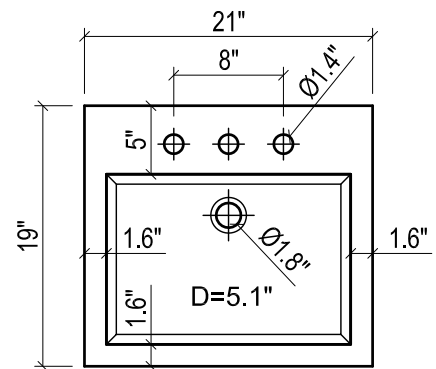
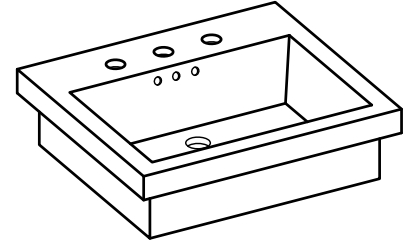
TOP VIEW



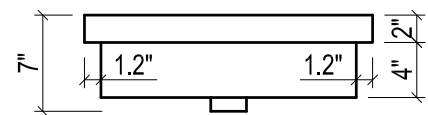
BACK VIEW

## TRIBECA CERAMIC SINK

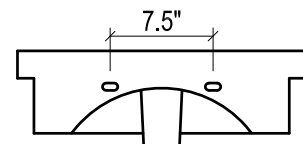
(available in 1 hole or 8" faucet drills)



TOP VIEW



FRONT VIEW



BACK VIEW