

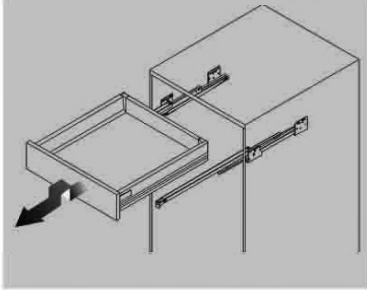
Installation & Disassembling manual

∴kitchensource.com

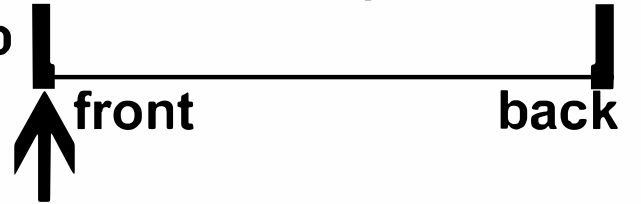
☎ 1.800.667.8721

How to remove the drawer

4. Lift the drawer up for dismantle

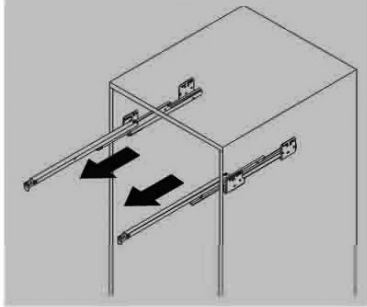


1. Pull the drawer out to its full extension
2. Hold down the back of the drawer
3. Lift the front of the drawer up - a quick tap up

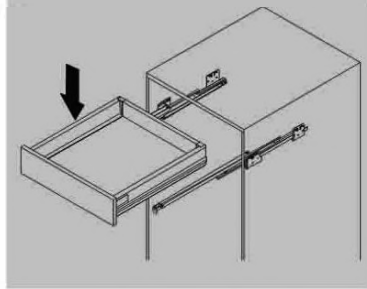


How to install back the drawer

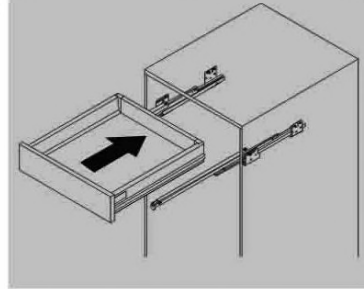
1. Sliding out the slides



2. Method I : put the drawer from the top onto the slide

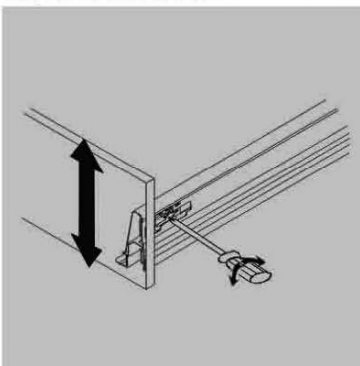


3. Method II : put the drawer from the front onto the slide

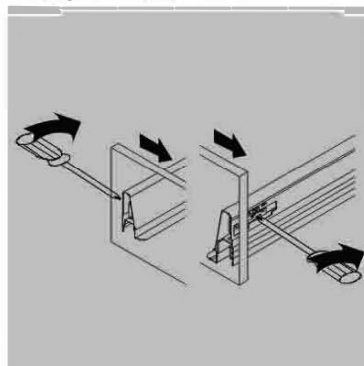


How to align the drawer front

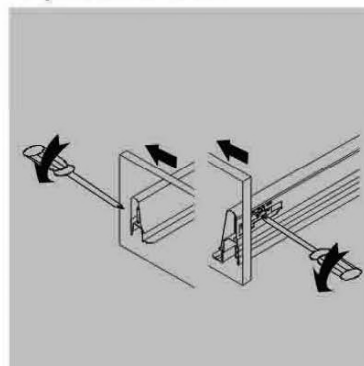
Wooden drawer front height adjustment: $\pm 2\text{mm}$



Drawer front right adjustment 1mm



Drawer front left adjustment 1mm



Gradient adjustment

