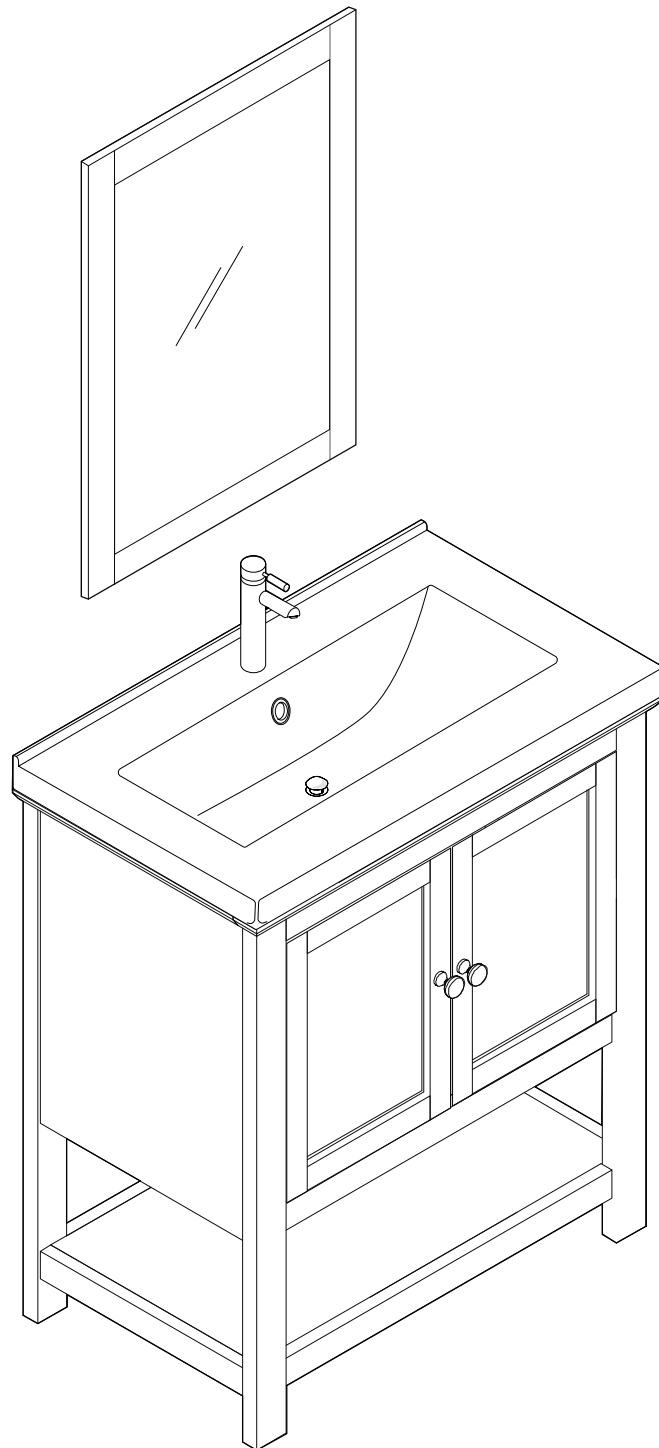


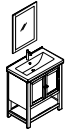
# FCB2305-I MANCHESTER INSTALLATION GUIDE

**kitchensource.com**  
1.800.667.8721



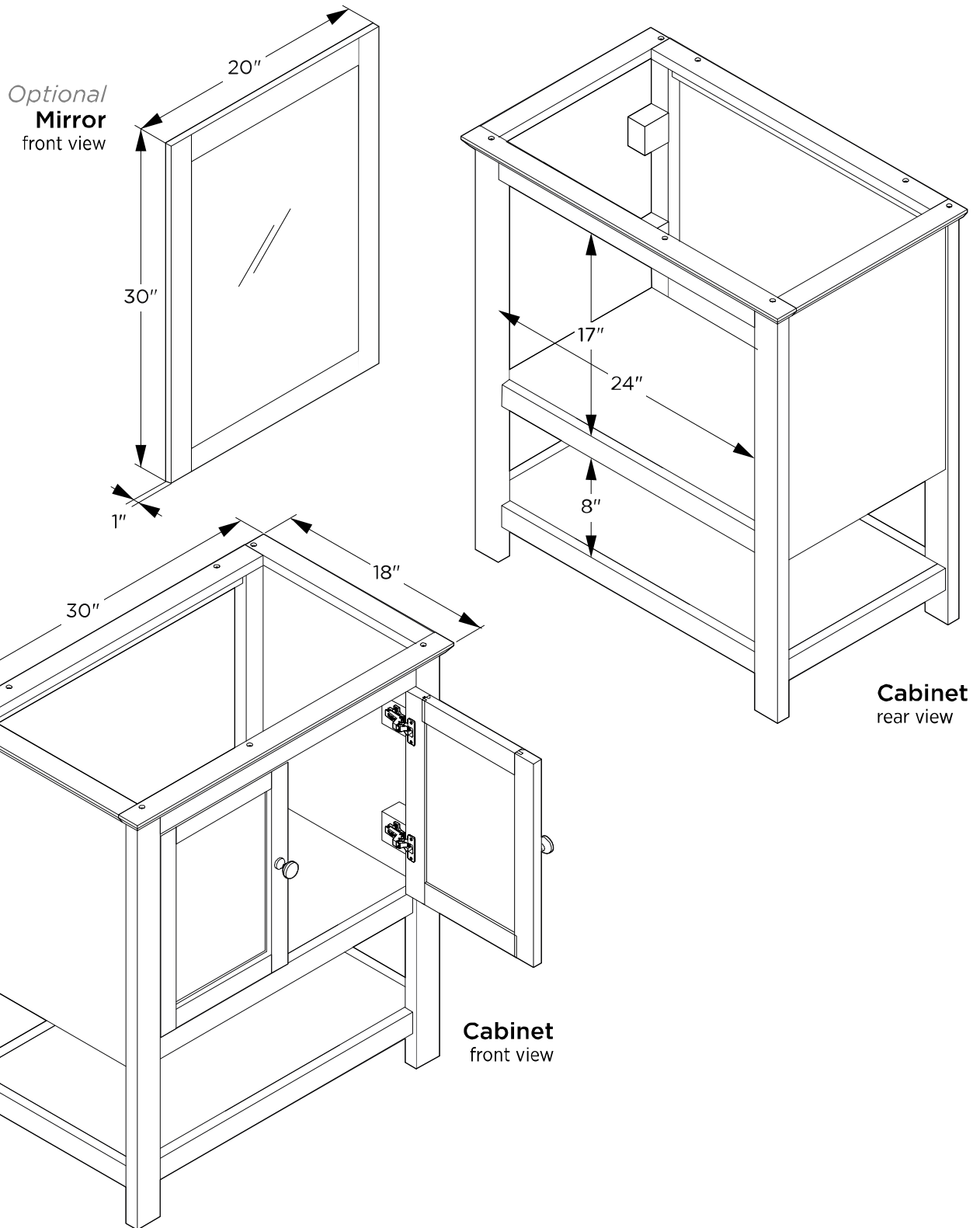
**NOTE:** ALL DIMENSIONS & SPECIFICATIONS ARE APPROXIMATE AND SUBJECT TO CHANGE WITHOUT NOTICE.





# FCB2305-I MANCHESTER INSTALLATION GUIDE

kitchensource.com  
1.800.667.8721

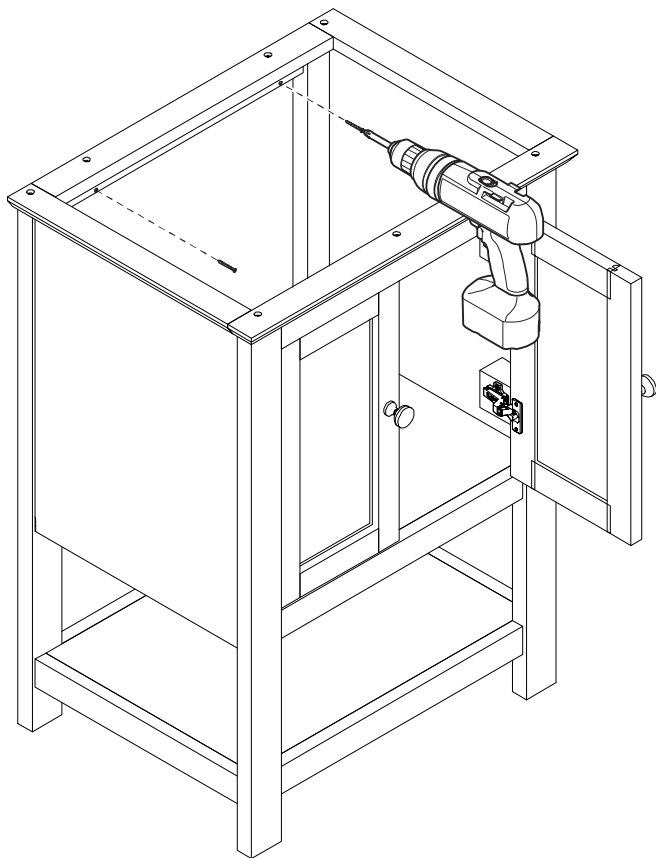


NOTE: ALL DIMENSIONS & SPECIFICATIONS ARE APPROXIMATE AND SUBJECT TO CHANGE WITHOUT NOTICE.



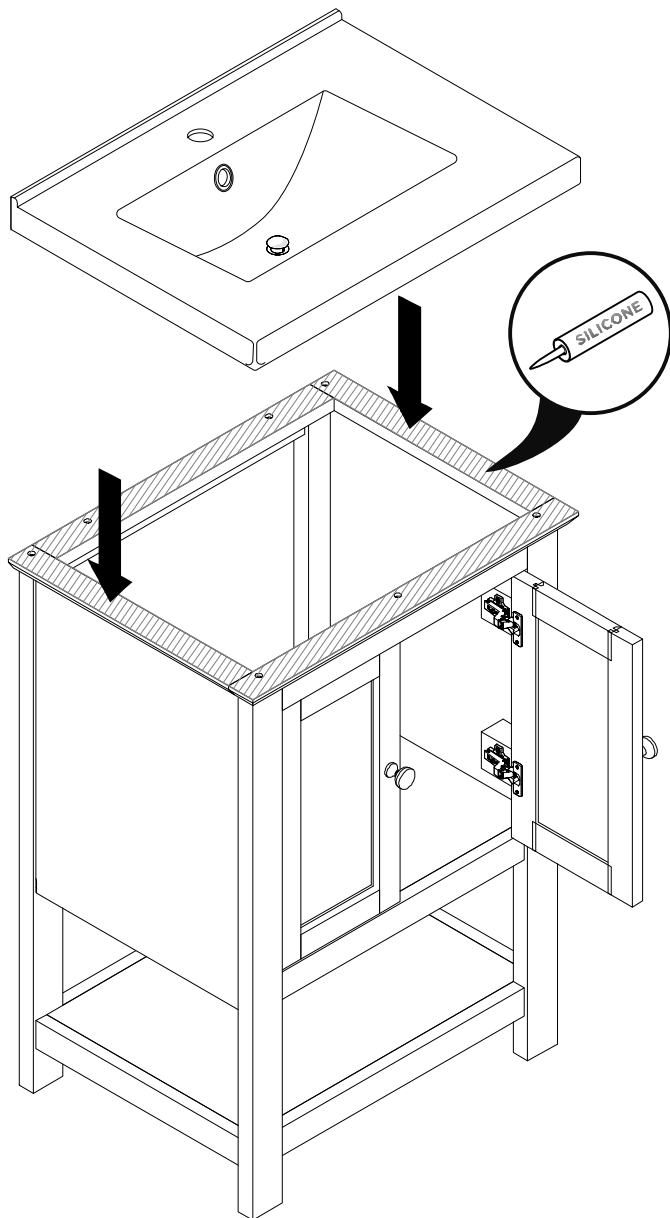
# CABINET INSTALLATION

**1** Attach the cabinet to the wall.



**NOTE:** Consult an expert for the proper screws/bolts to use when attaching to various constructions. Screws provided do not attach to all wall construction types. Anchors are not required if brackets are installed in stud.

**2** Apply a bead of silicone on the top of the cabinet and place the sink on it.



**kitchensource.com**  
1.800.667.8721



**FCB2305-I**

MANCHESTER

**INSTALLATION GUIDE**

PAGE 3

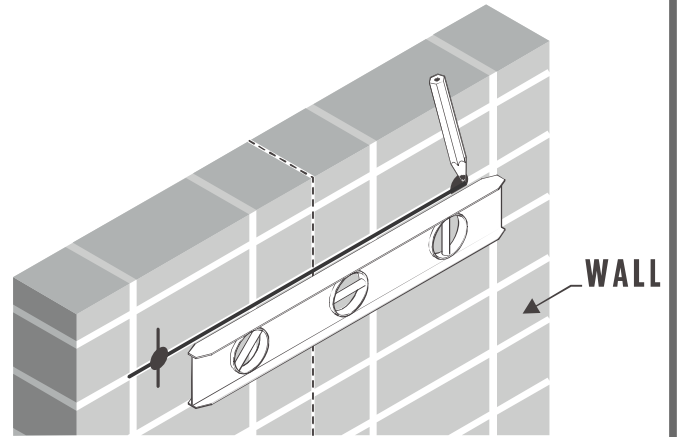
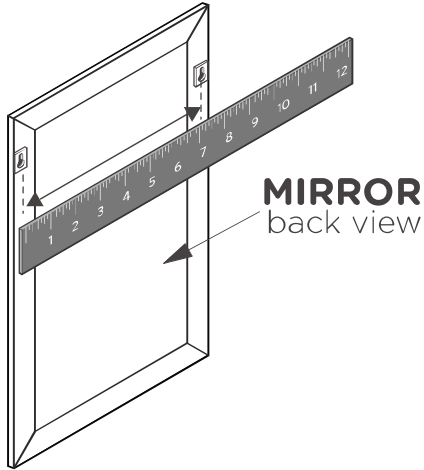
# OPTIONAL MIRROR INSTALLATION

## TOOLS FOR ASSEMBLY

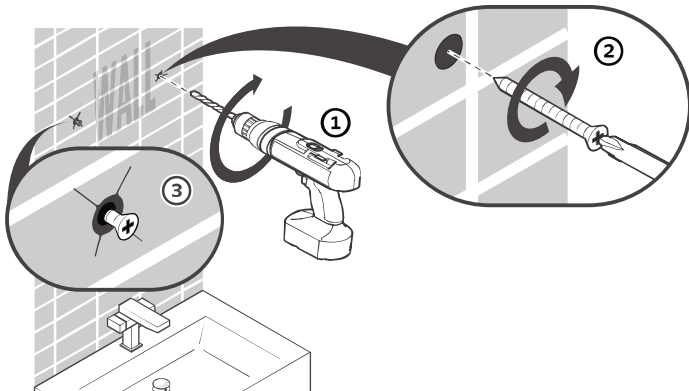


**2** Mark the measured distance on the wall using a level

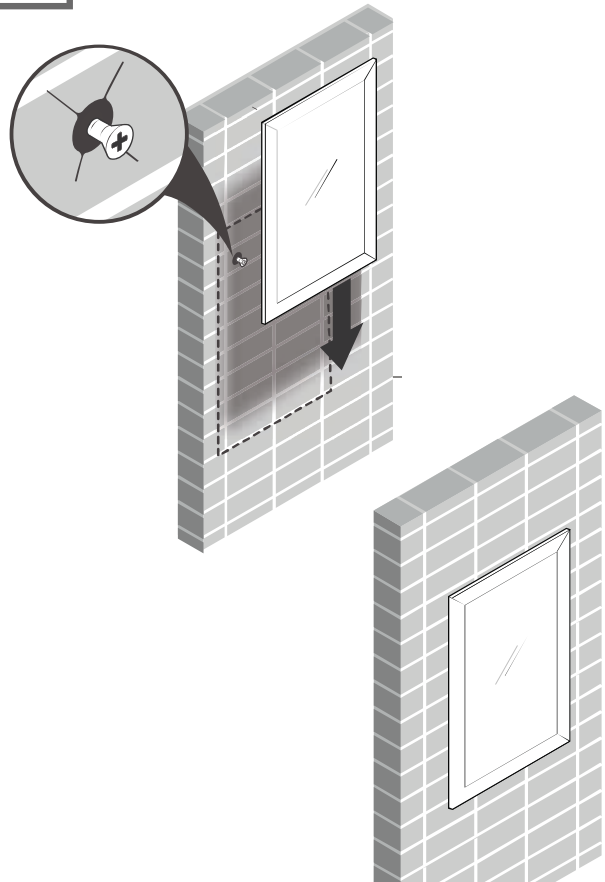
**1** Measure the distance between the brackets on the back of the mirror



**3** Once position is marked, drill 2 holes and insert anchors if stud is not available



**4** Hang mirror on the wall

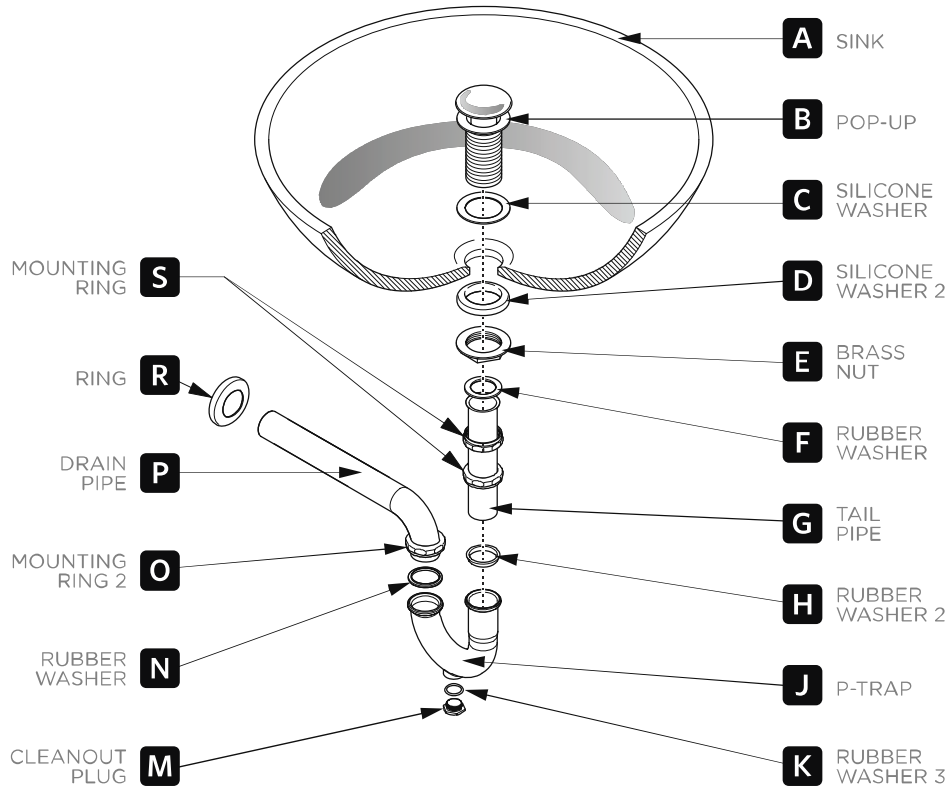


**! IMPORTANT:**  
CONSULT AN EXPERT FOR THE PROPER SCREWS/BOLTS TO USE WHEN ATTACHING TO VARIOUS WALL CONSTRUCTIONS. SCREWS PROVIDED **DO NOT ATTACH** TO ALL WALL CONSTRUCTION TYPES.

**kitchensource.com**  
1.800.667.8721

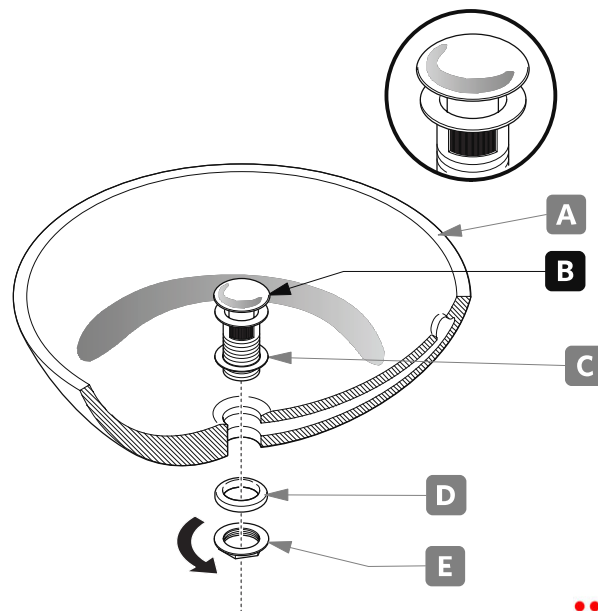
# INSTALLATION INSTRUCTIONS

Your item may appear slightly different from the illustration.



## POP-UP INSTALLATION

FOR SINKS  
WITH OVERFLOW



[kitchensource.com](http://kitchensource.com)  
1.800.667.8721



**FCB2305-I**

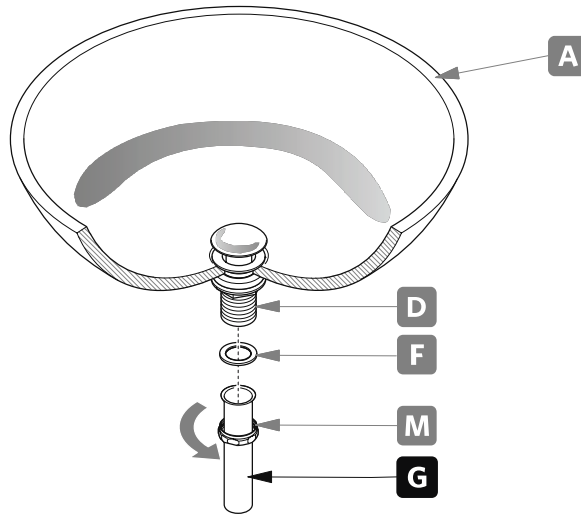
MANCHESTER

**INSTALLATION GUIDE**

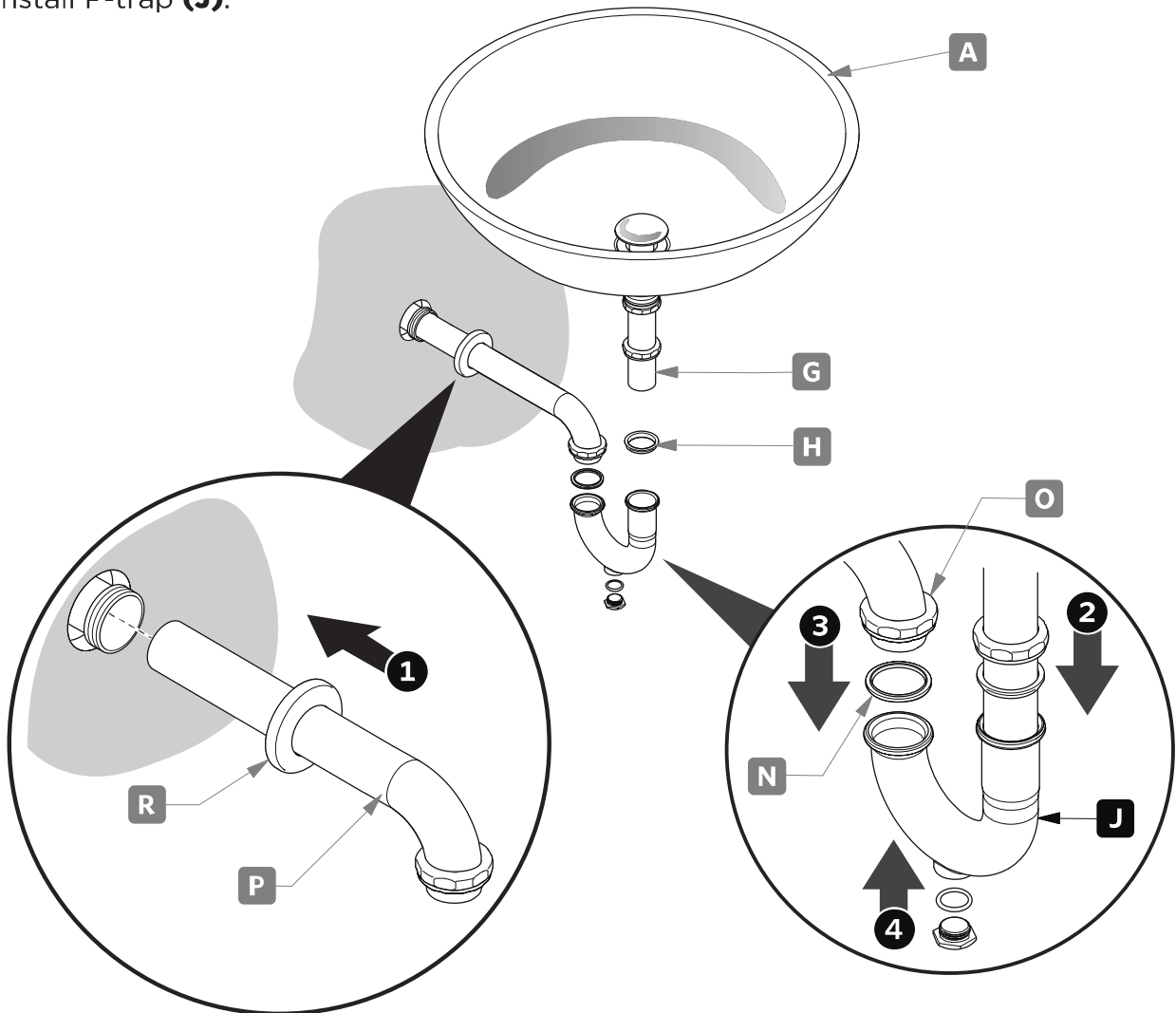
PAGE 5

# OPTIONAL P-TRAP INSTALLATION

**1** Install tail pipe (G).



**2** Install P-trap (J).



**kitchensource.com**  
1.800.667.8721



**FCB2305-I**

**MANCHESTER**

**INSTALLATION GUIDE**

PAGE 6