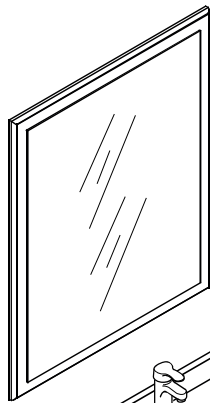
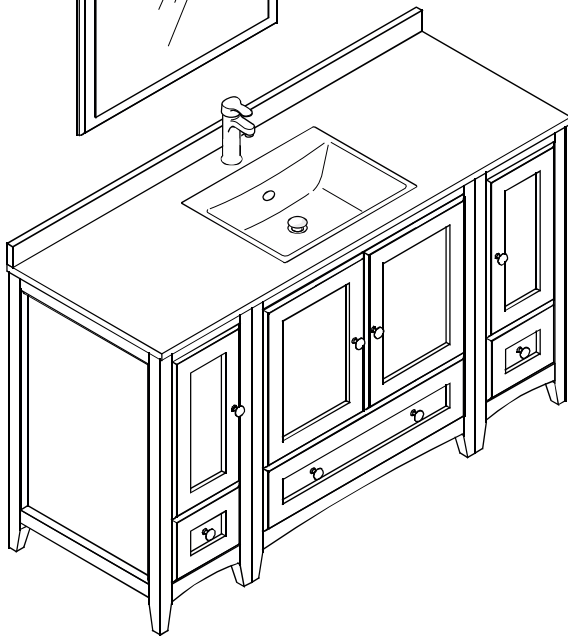


FVN20-123012
OXFORD
 INSTALLATION GUIDE

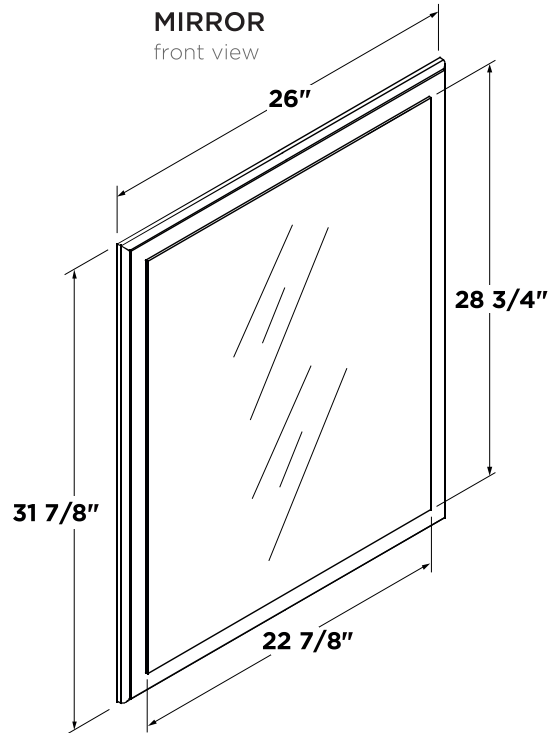
kitchensource.com
 1.800.667.8721



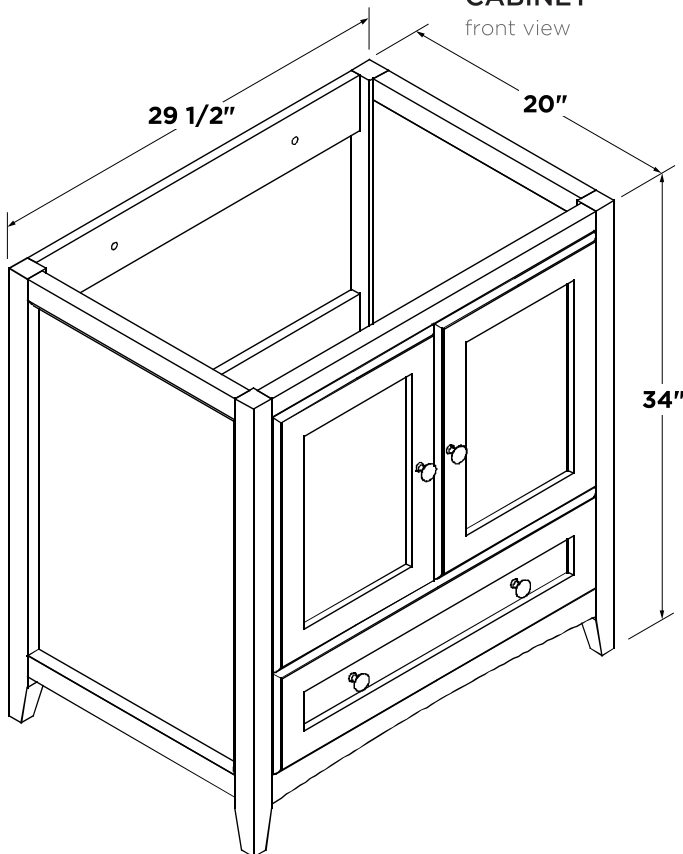
VANITY ENSEMBLE
 front view



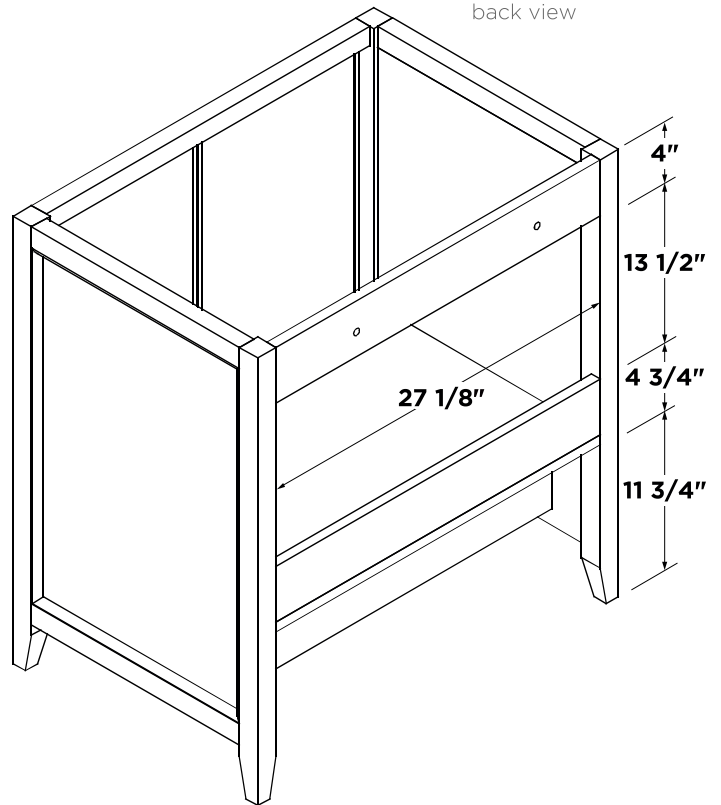
MIRROR
 front view



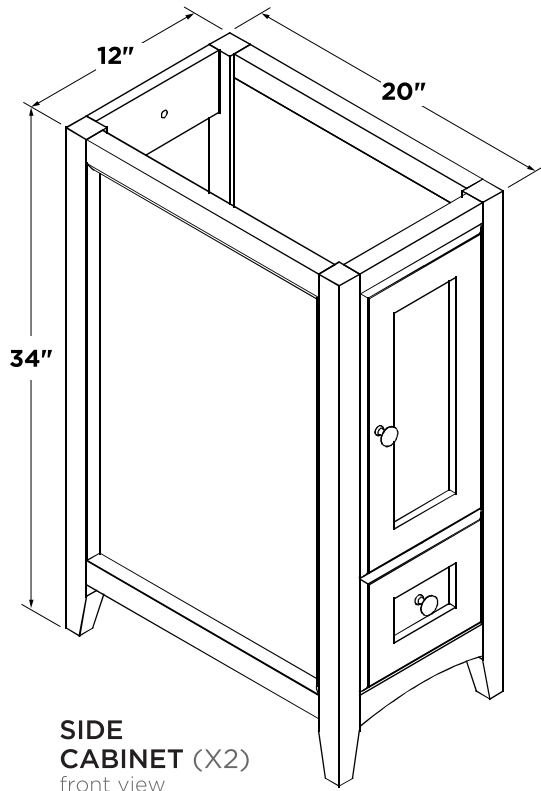
CABINET
 front view



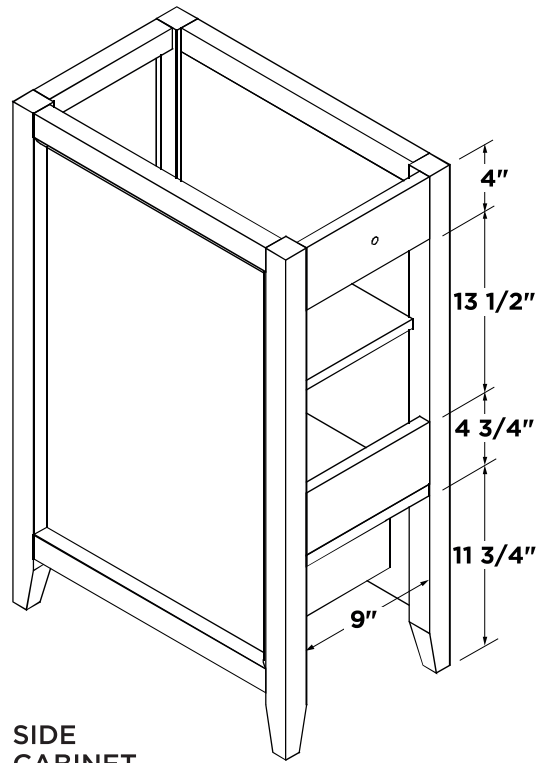
CABINET
 back view



SIDE CABINET DIMENSIONS

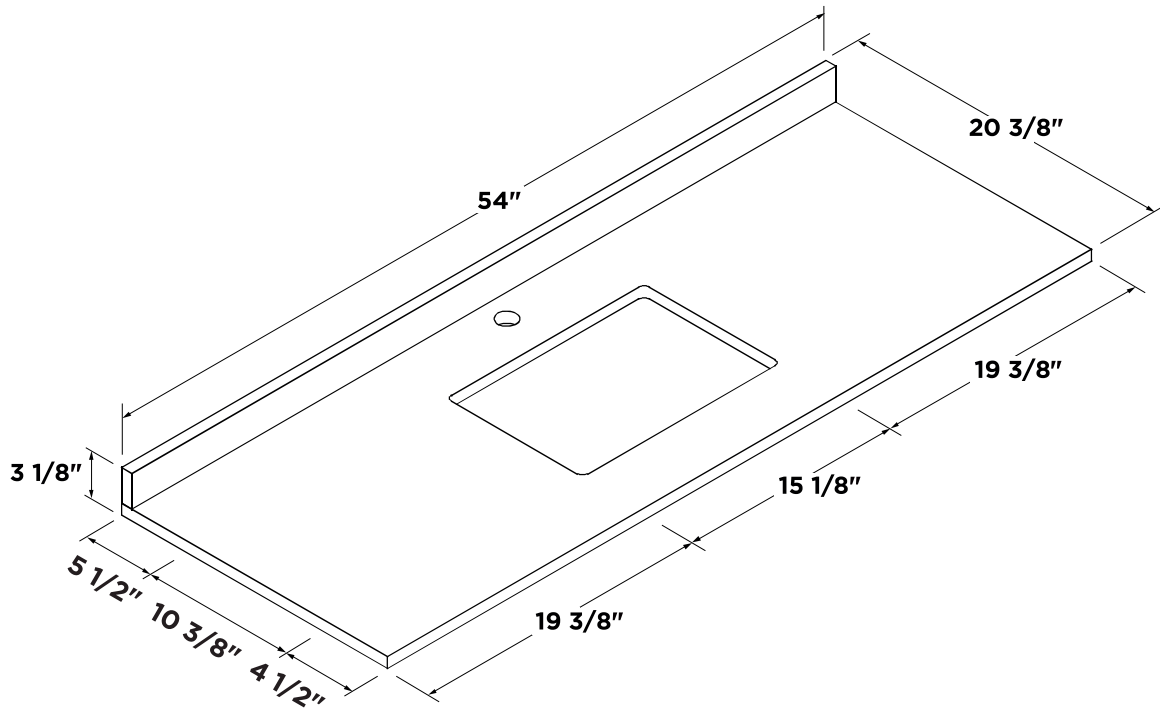


SIDE CABINET (X2)
front view



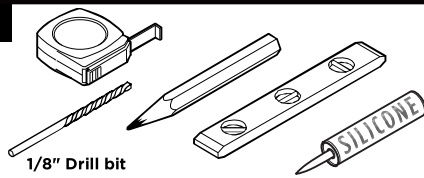
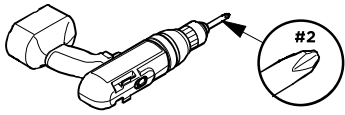
SIDE CABINET
back view

COUNTER TOP & BACK SPLASH DIMENSIONS



Note: All dimensions and specifications are approximate and subject to change without notice.

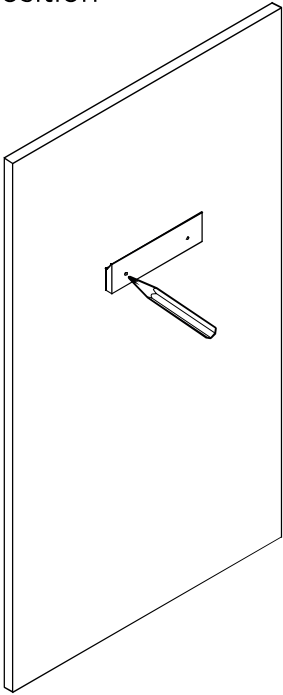
TOOLS FOR ASSEMBLY



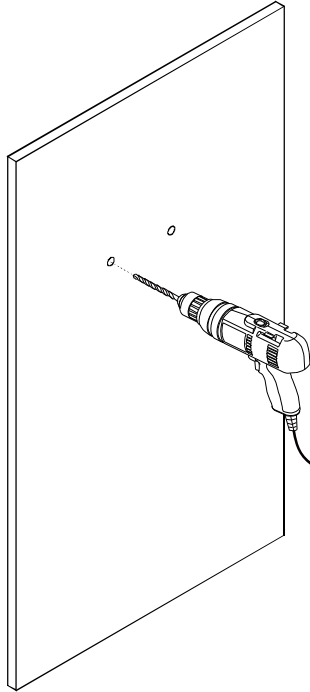
1/8" Drill bit

MIRROR INSTALLATION

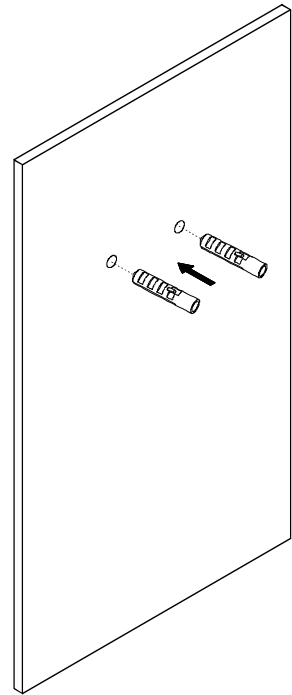
- 1** Level the mirror bracket and then mark the installation position



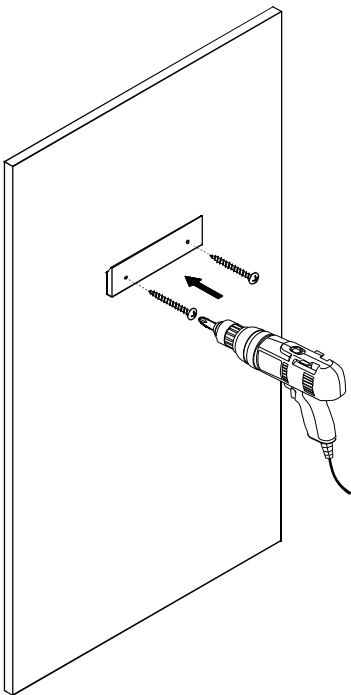
- 2** Drill the installation holes



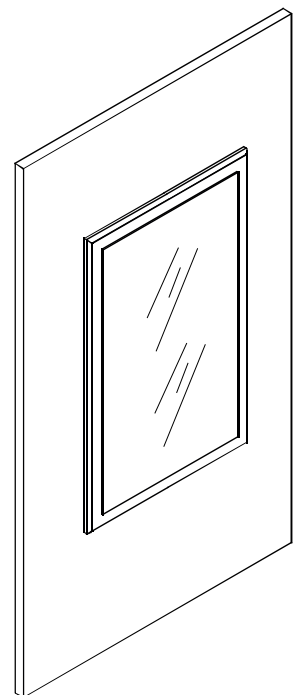
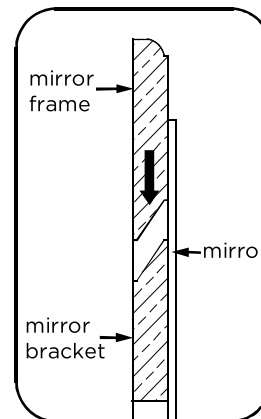
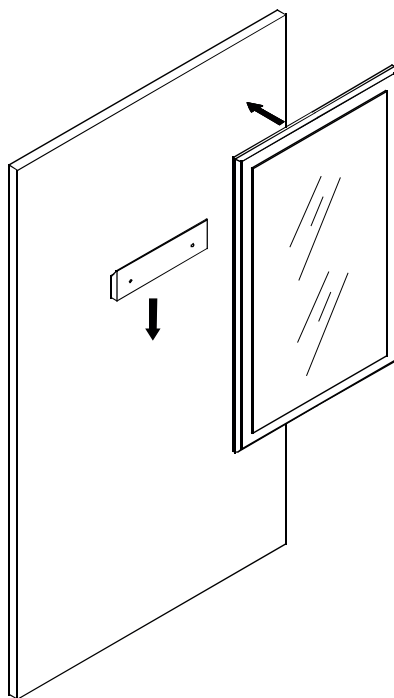
- 3** Insert the plastic plug



- 4** Fix the mirror bracket

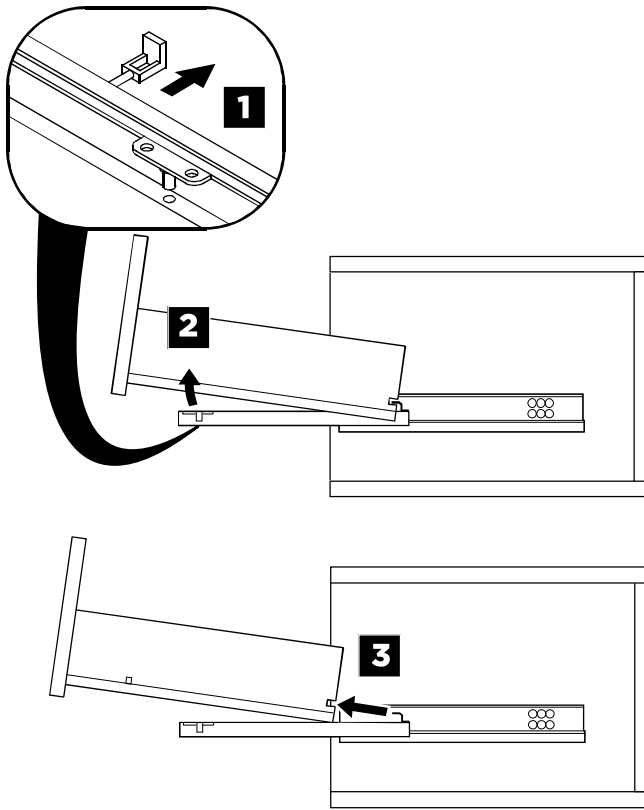


- 5** Hang up the mirror

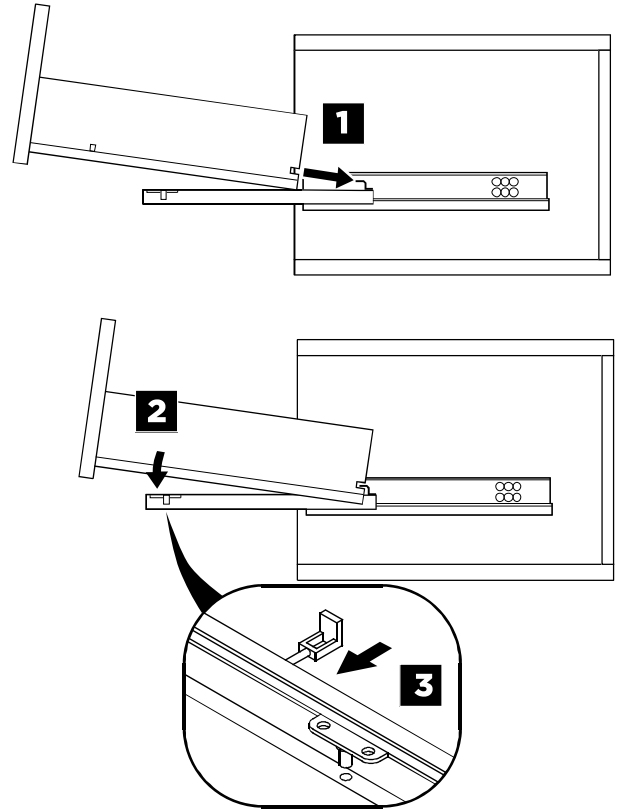


DRAWER REMOVAL & INSTALLATION

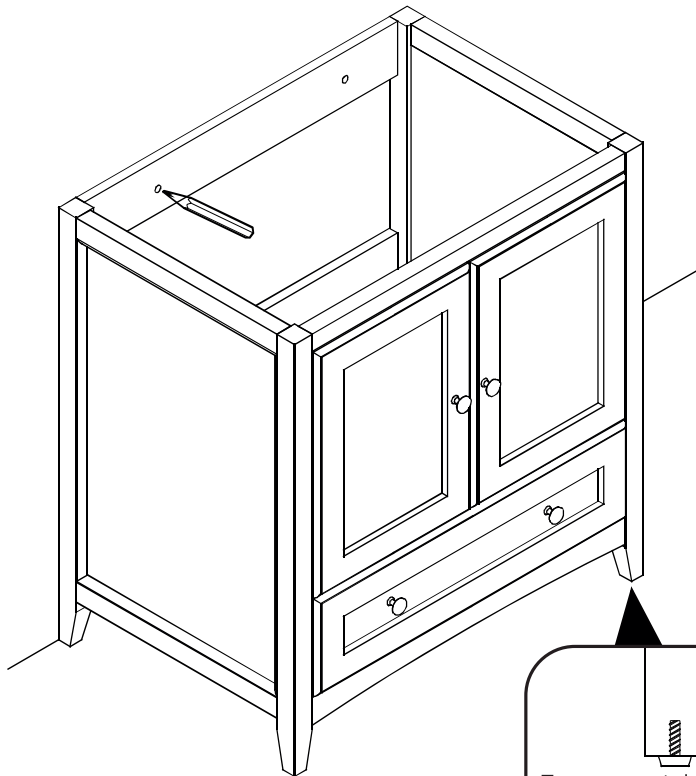
REMOVAL



INSTALLATION

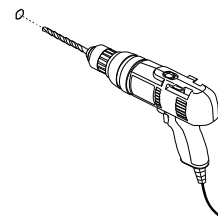


1 Level the cabinet and mark position for the installation.



To ensure stability, cabinet's height can be regulated by turning the glide clockwise or counterclockwise.
(Optional Step)

2 Drill the holes previously marked.

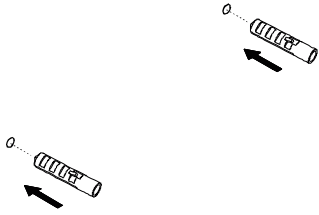


kitchensource.com
1.800.667.8721

3

*Insert the anchors into the holes

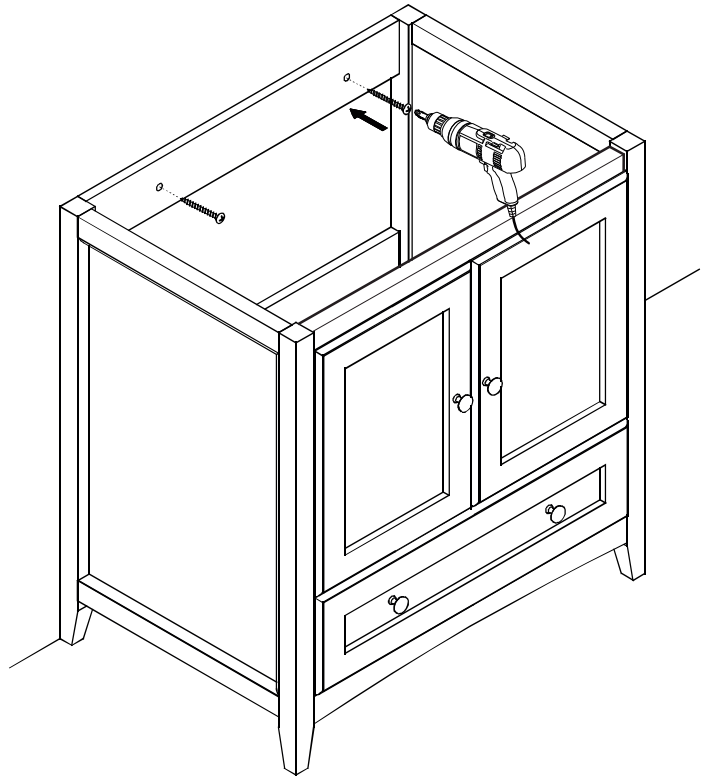
***NOTE:**
Only use anchors
if stud is not available.



☞ Consult an expert for the proper screws/bolts to use when attaching to various wall constructions. Screws provided **do not attach** to all wall construction types.

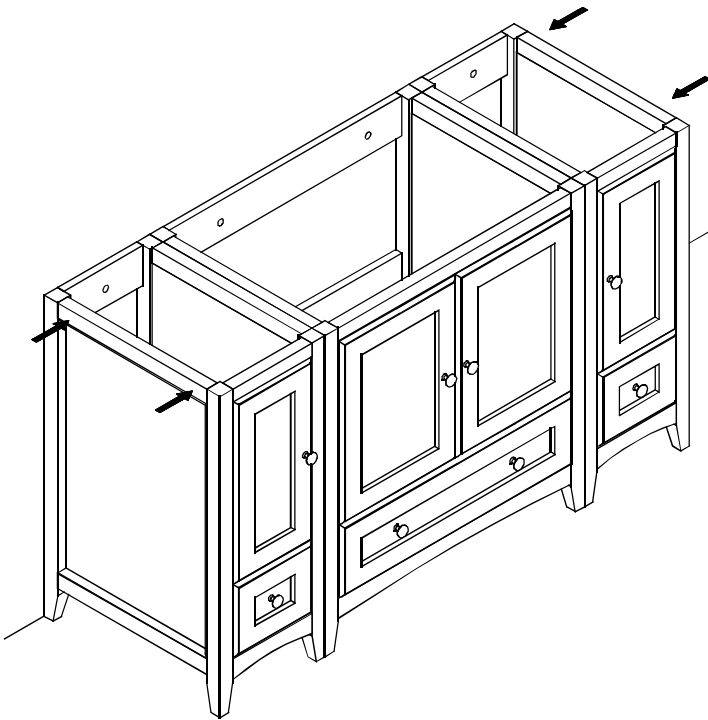
4

*Connect the cabinet to the wall using screws



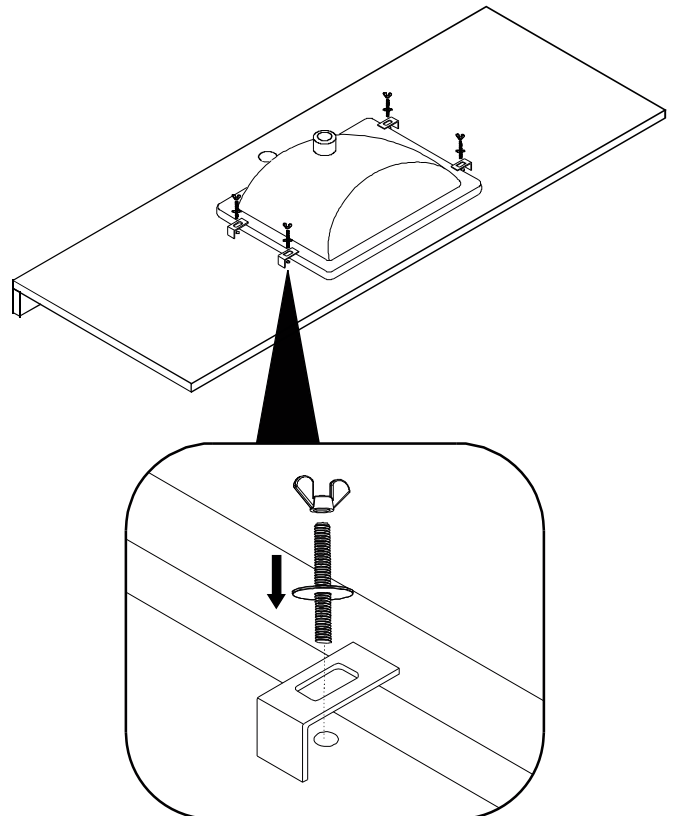
5

Make sure that both cabinets are aligned and securely installed.



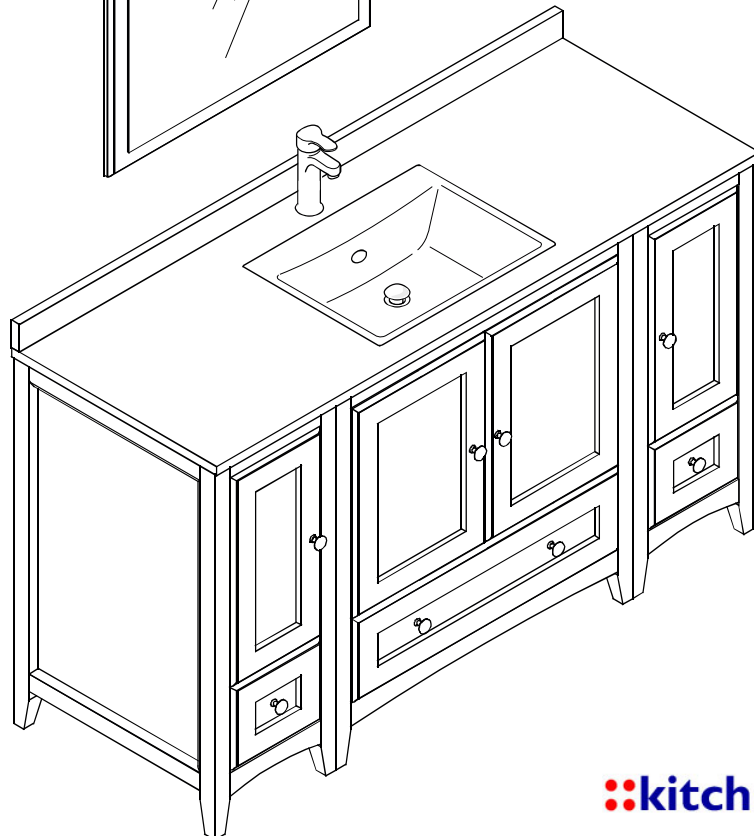
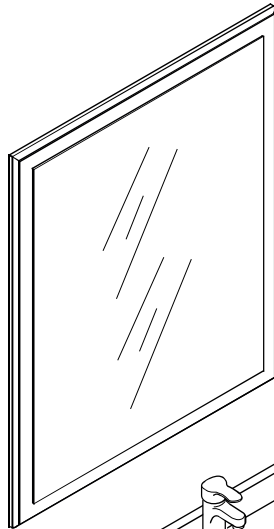
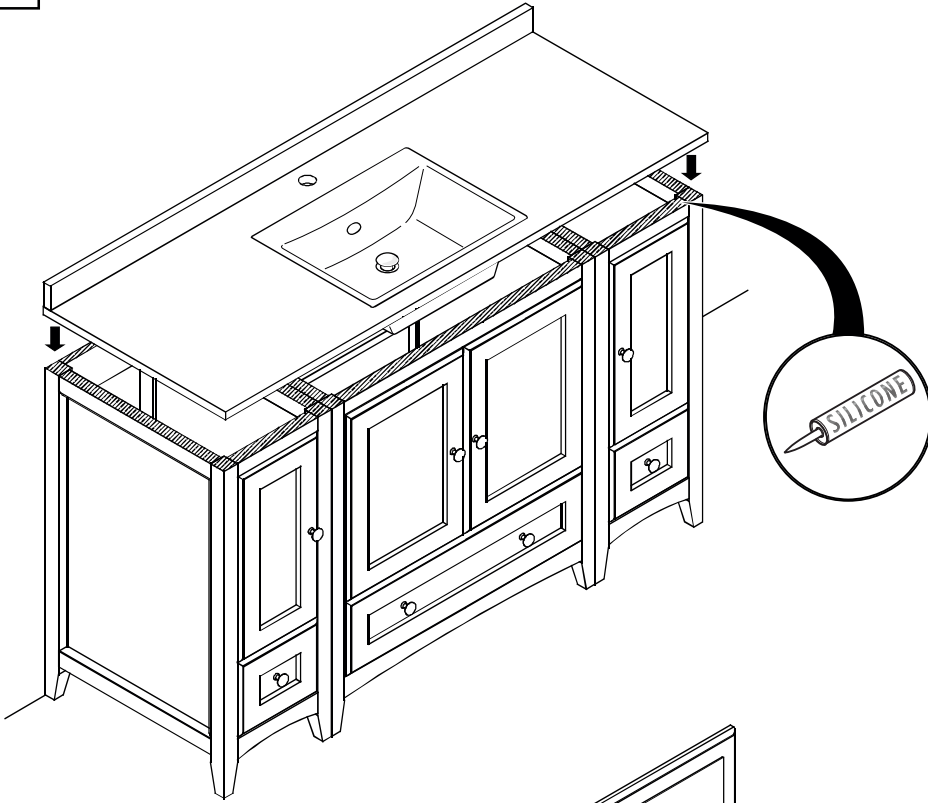
6

Flip the countertop upside down and attach the sink to it using a provided brackets & screws.



7

Install counter top

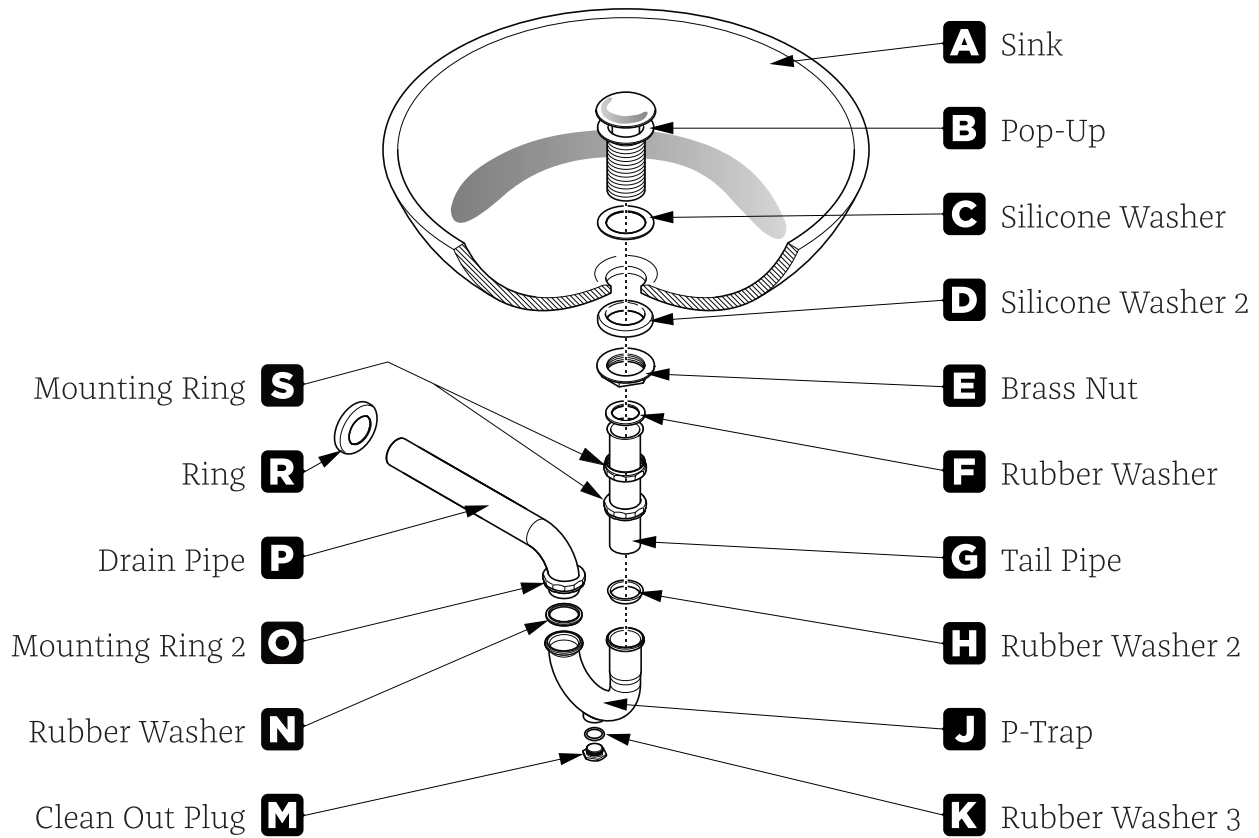


kitchensource.com
1.800.667.8721

POP-UP & P-TRAP

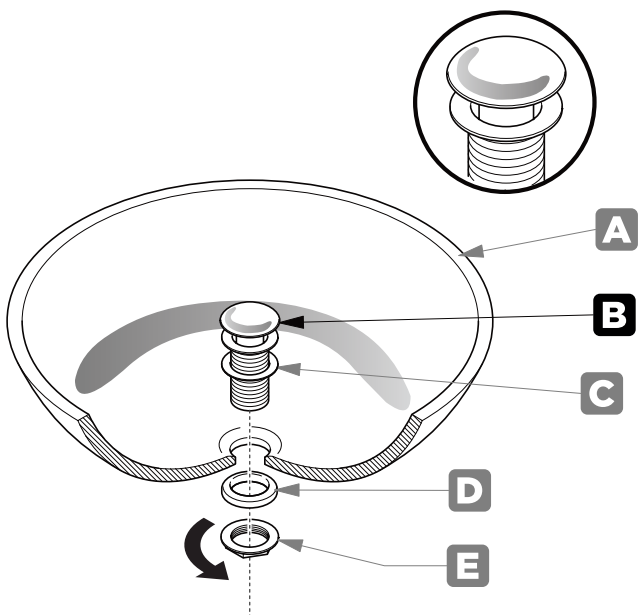
INSTALLATION INSTRUCTIONS

Your item may appear slightly different from the illustration.



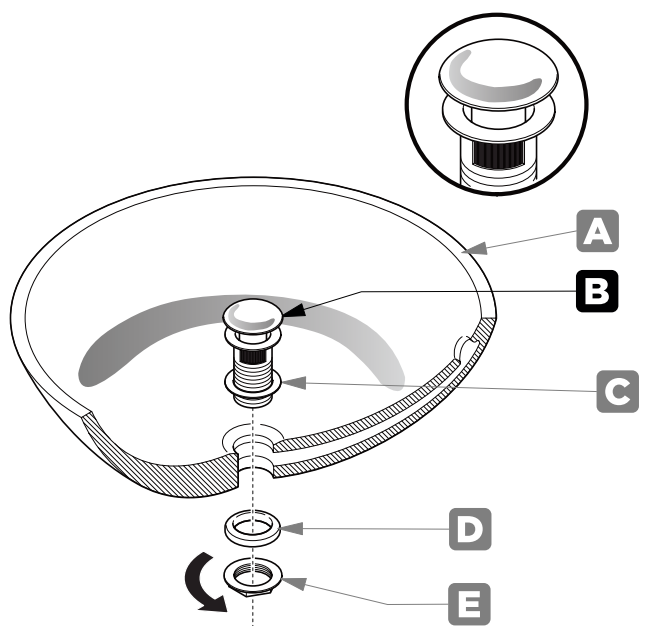
POP-UP INSTALLATION

FOR SINKS WITHOUT OVERFLOW



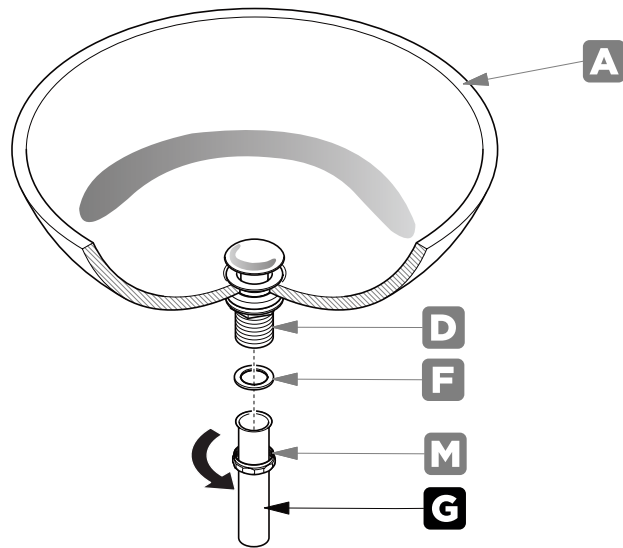
OR

FOR SINKS WITH OVERFLOW

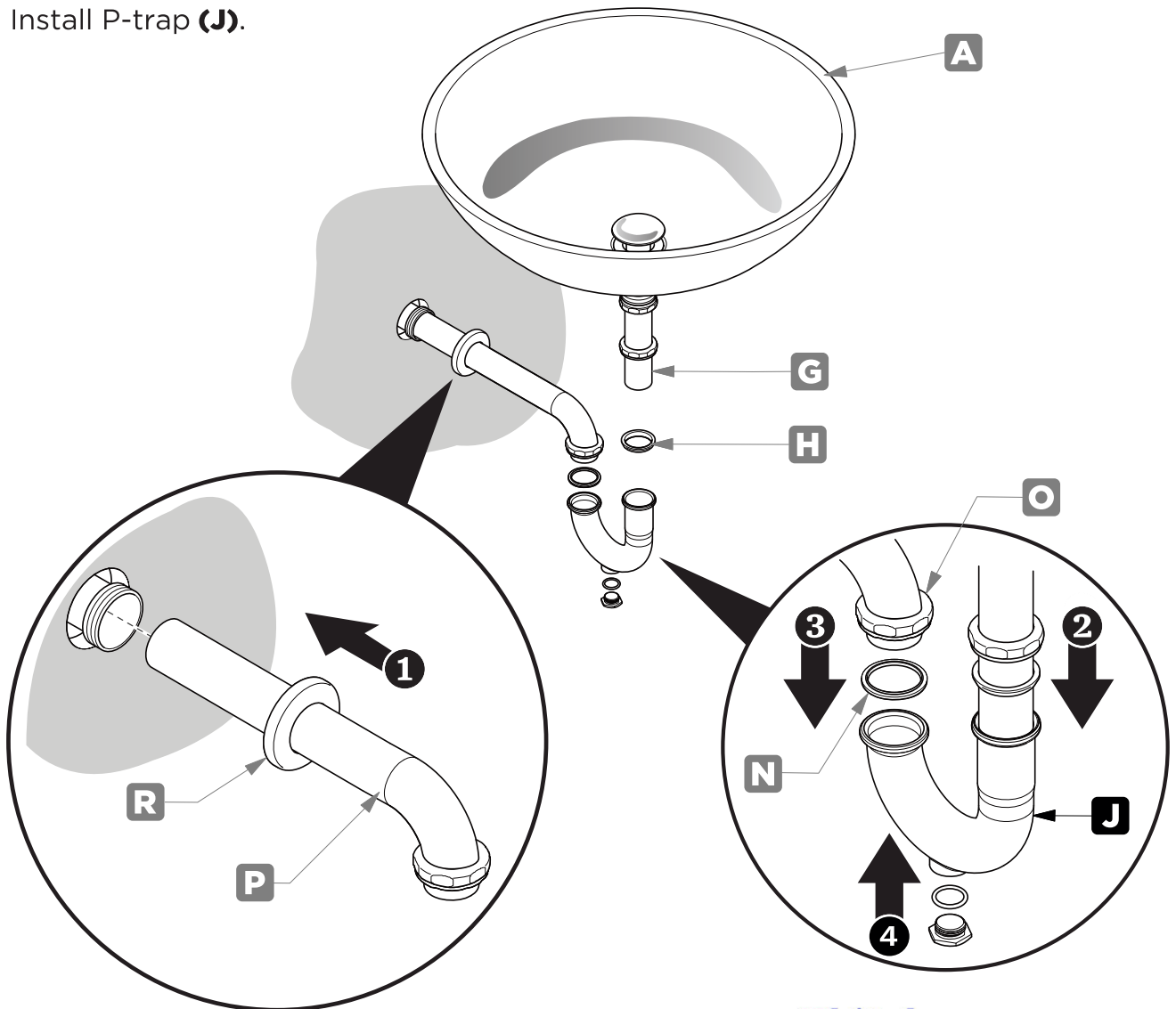


P-TRAP INSTALLATION

1 Install tail pipe (**G**).



2 Install P-trap (**J**).



••kitchensource.com
 1.800.667.8721