



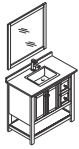
MANCHESTER

FVN2340

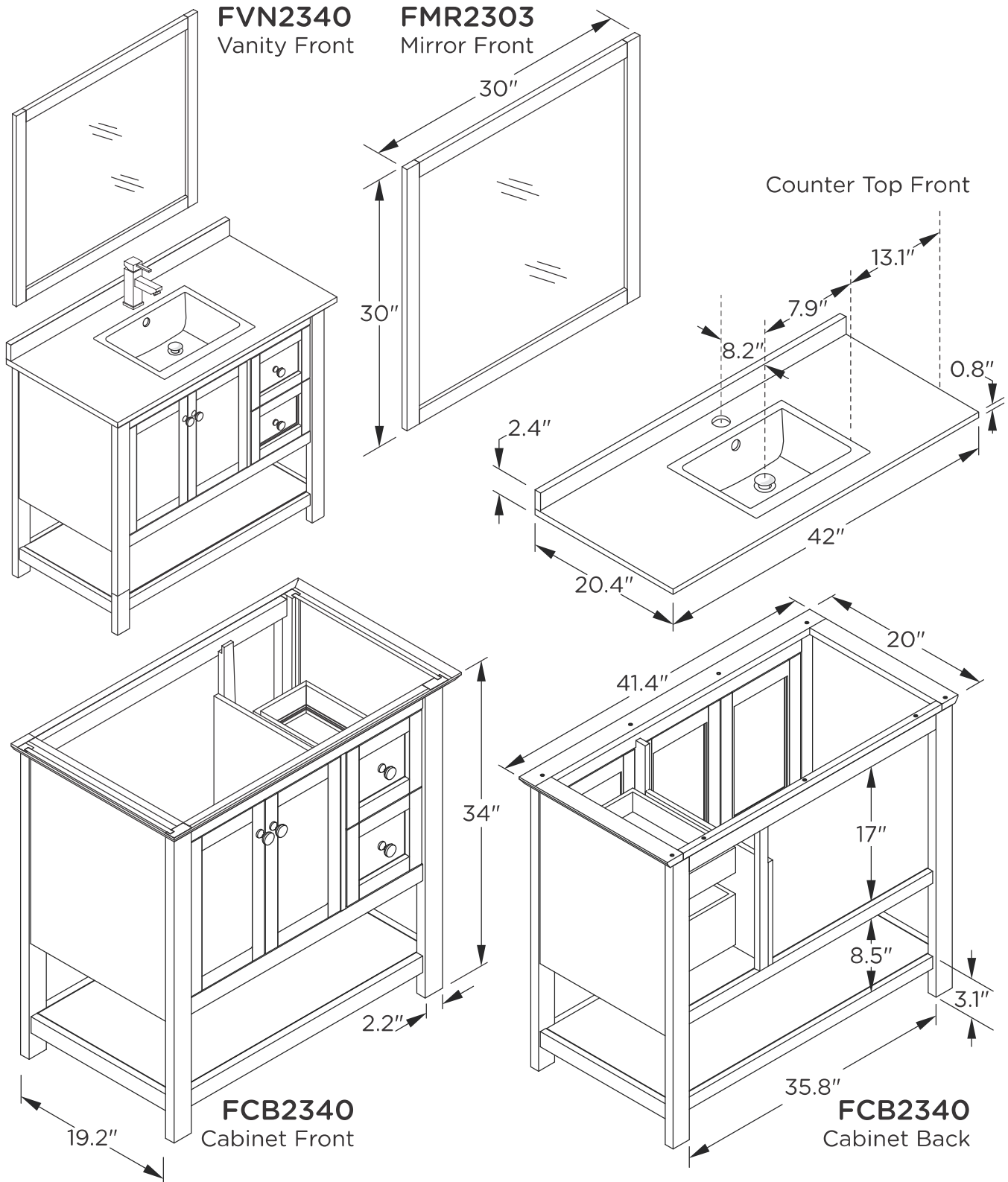
INSTALLATION GUIDE

CONTENTS:

Mirror.....	PAGE 2
Cabinet.....	PAGE 3
Sink.....	PAGE 3

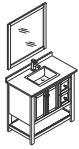


FVN2340 MANCHESTER INSTALLATION GUIDE



>All dimensions & specification are approximate and subject to change without notice.

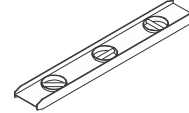
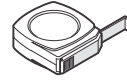
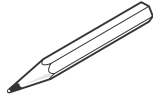
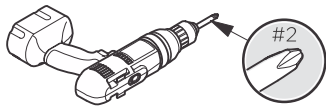




FVN2340 MANCHESTER INSTALLATION GUIDE



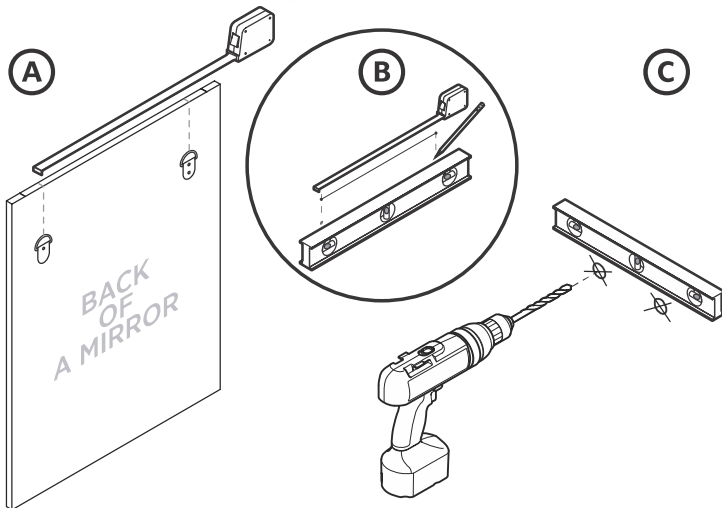
TOOLS REQUIRED FOR ASSEMBLY



MIRROR INSTALLATION

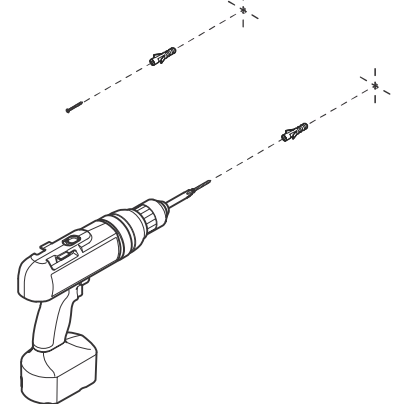
1

Measure distance between the brackets on the back of a mirror and mark it on the wall using a level. Once marked, drill the holes in the wall.



2

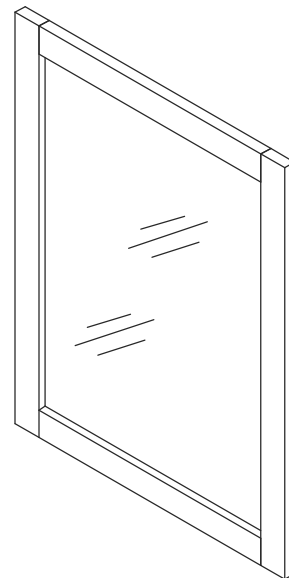
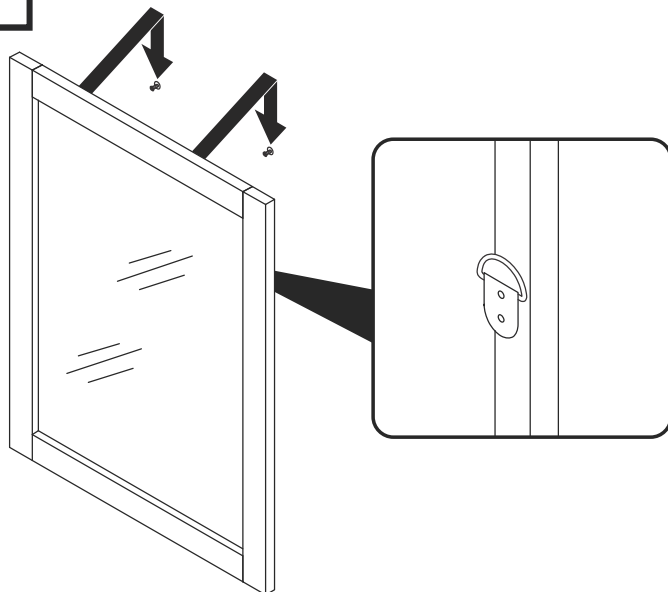
Press the anchors in the holes then insert screws with a drill or a screwdriver leaving just a tip outside of a wall.

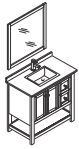


IMPORTANT: Consult an expert for the proper screws/bolts to use when attaching to various constructions, Screws provided do not attach to all wall construction types. Anchors are not required if brackets are installed in stud.

3

Hang a mirror on the wall.





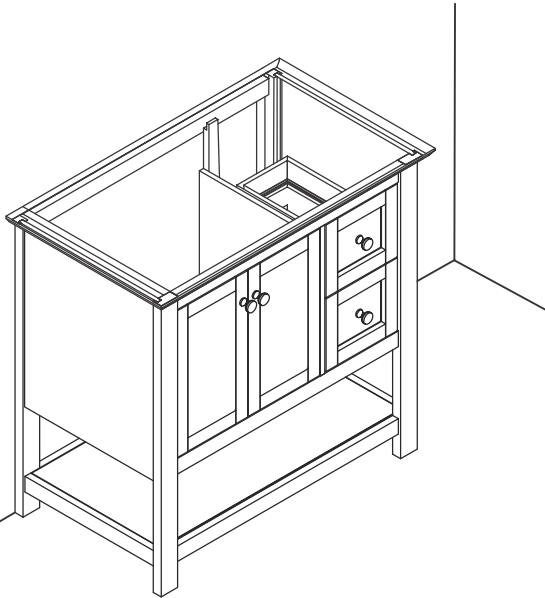
FVN2340 MANCHESTER INSTALLATION GUIDE



CABINET AND SINK INSTALLATION

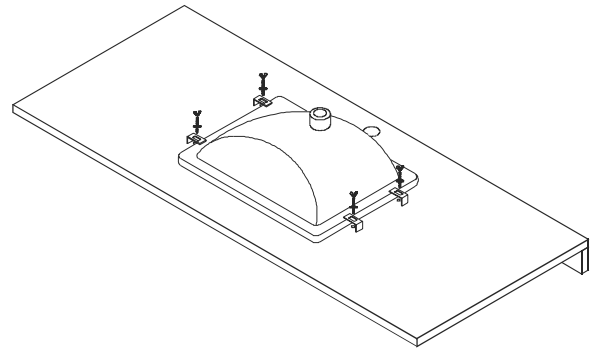
1

Attach a cabinet to the wall with a screws.



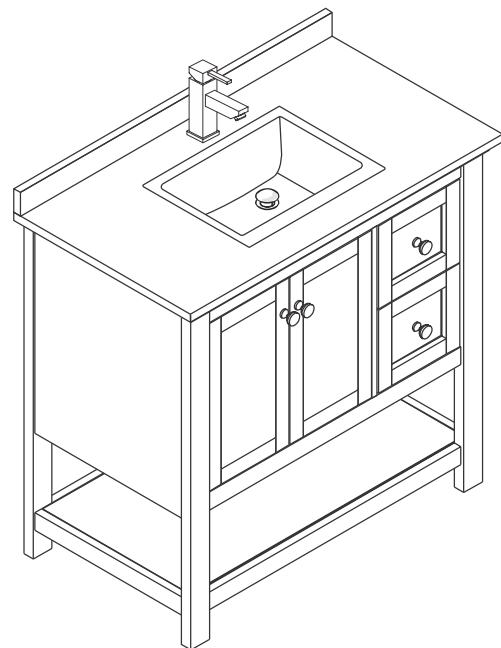
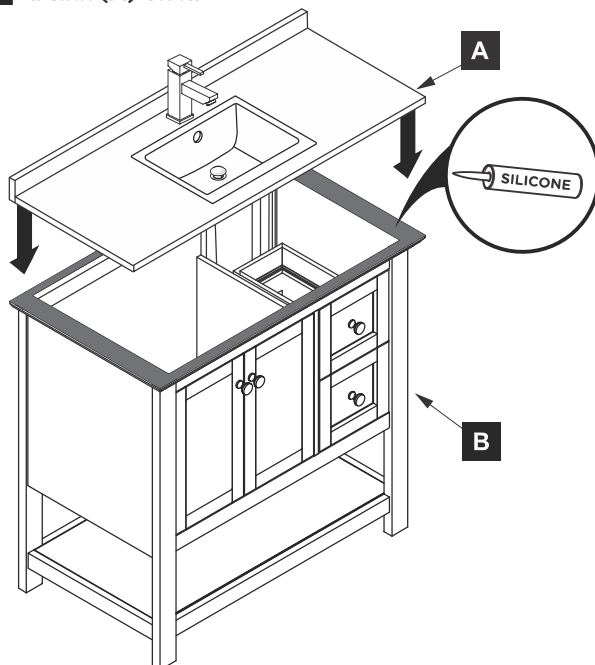
2

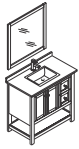
Attach a sink to the counter top with provided screws and brackets.



3

Connect a faucet to counter top. Apply a bead of silicone on the top of a cabinet (B) and place a sink (A) on it.



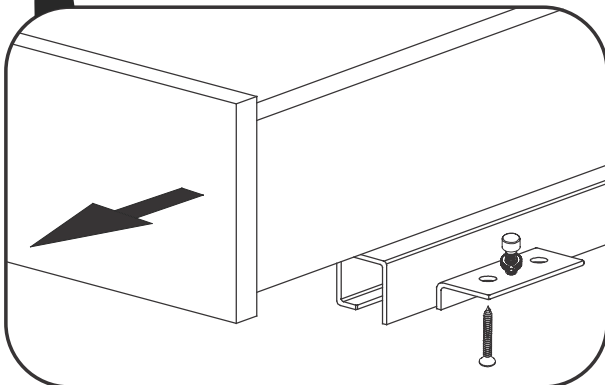
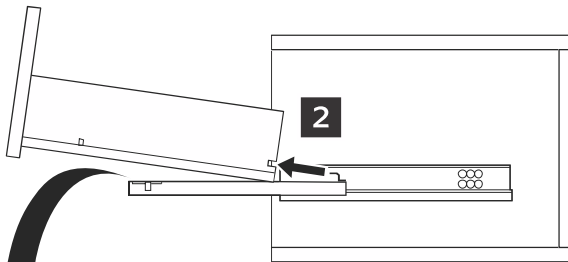
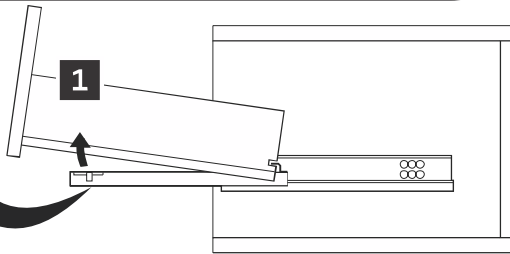
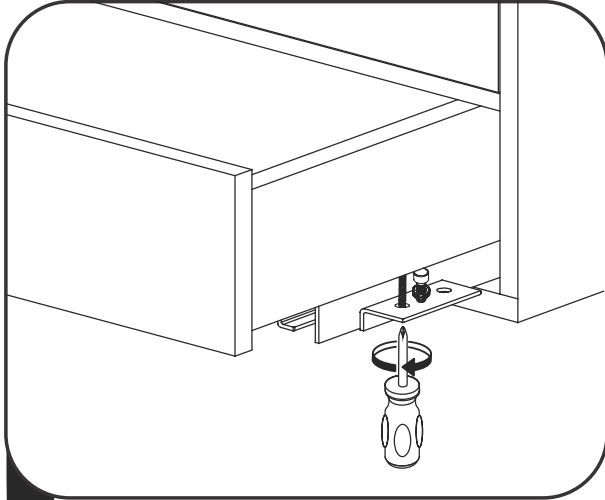


FVN2340 MANCHESTER INSTALLATION GUIDE

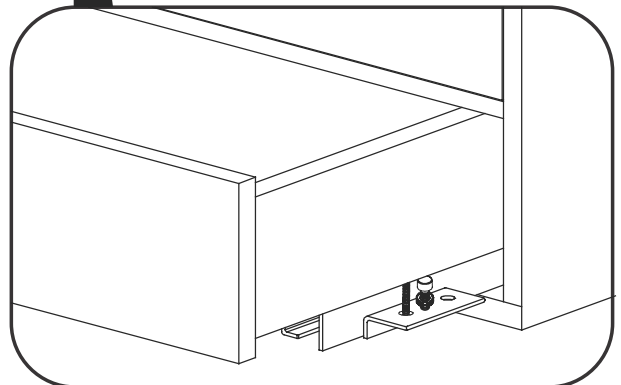
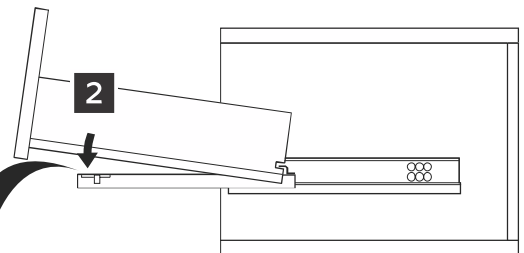
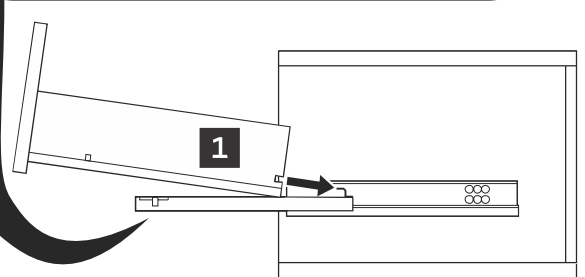
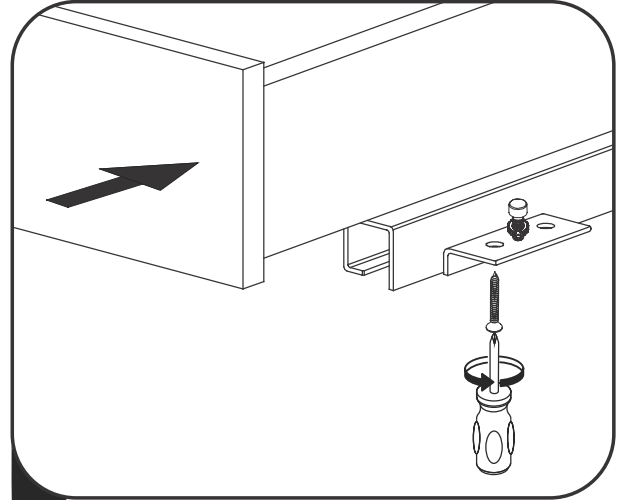


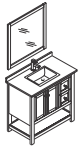
DRAWER REMOVAL & INSTALLATION

DRAWER REMOVAL



DRAWER INSTALLATION



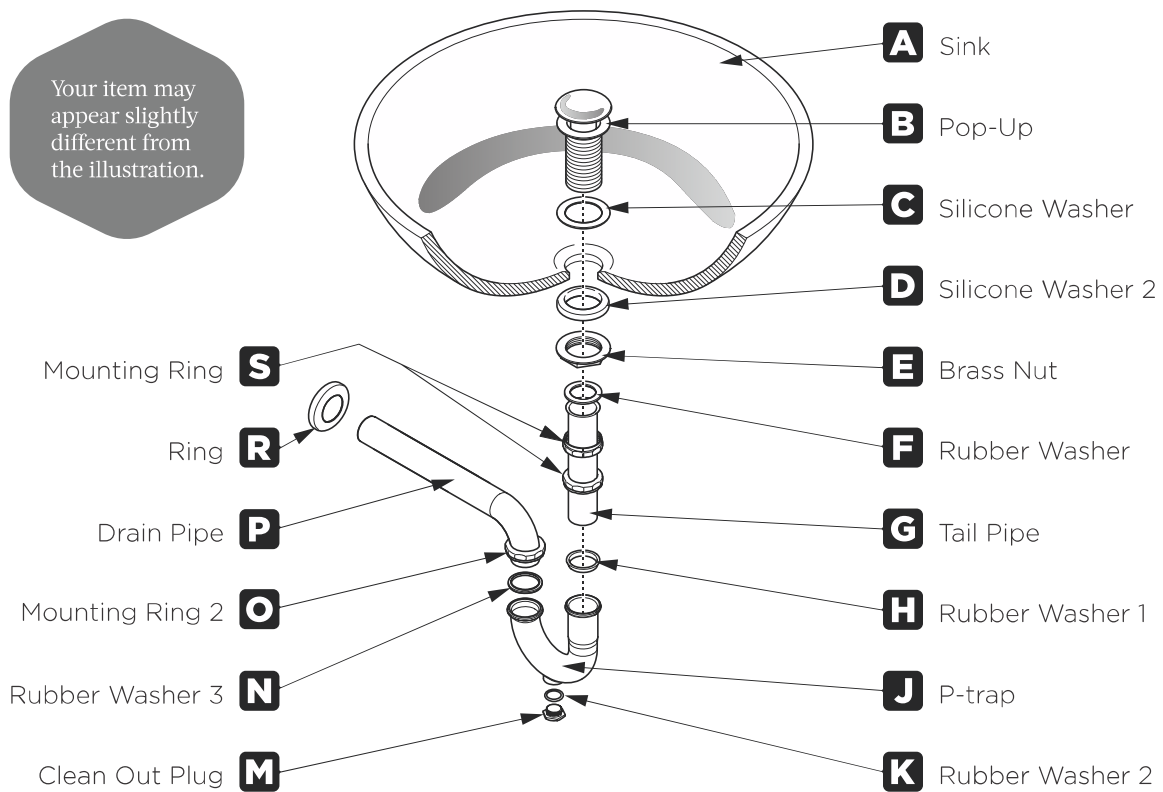


FVN2340 MANCHESTER INSTALLATION GUIDE



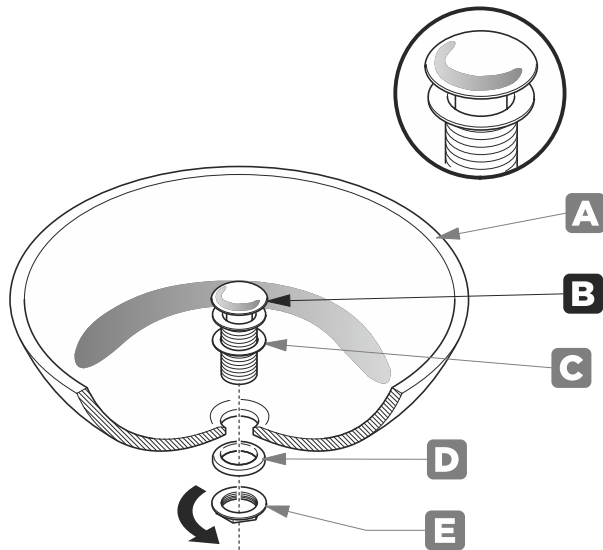
P-TRAP & POP UP INSTALLATION

Your item may appear slightly different from the illustration.



POP UP INSTALLATION

**FOR SINKS
WITHOUT OVERFLOW**



OR

**FOR SINKS
WITH OVERFLOW**

