



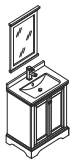
WINDSOR

INSTALLATION GUIDE

FVN2430

CONTENTS:

Mirror.....	FMR2424.....	PAGE 2
Cabinet.....	FCB2430.....	PAGE 3
Sink.....	FCT2030WH-CMB.....	PAGE 3

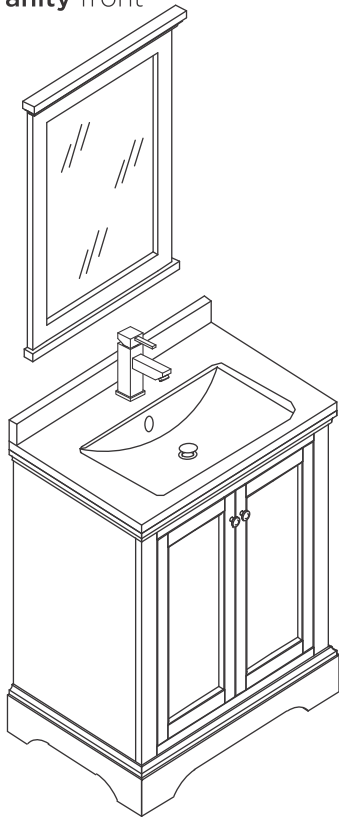


FVN2430
WINDSOR
 INSTALLATION GUIDE

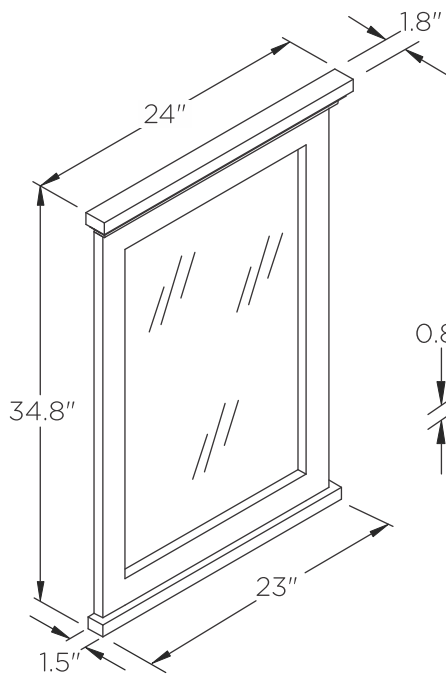
kitchensource.com
 1.800.667.8721



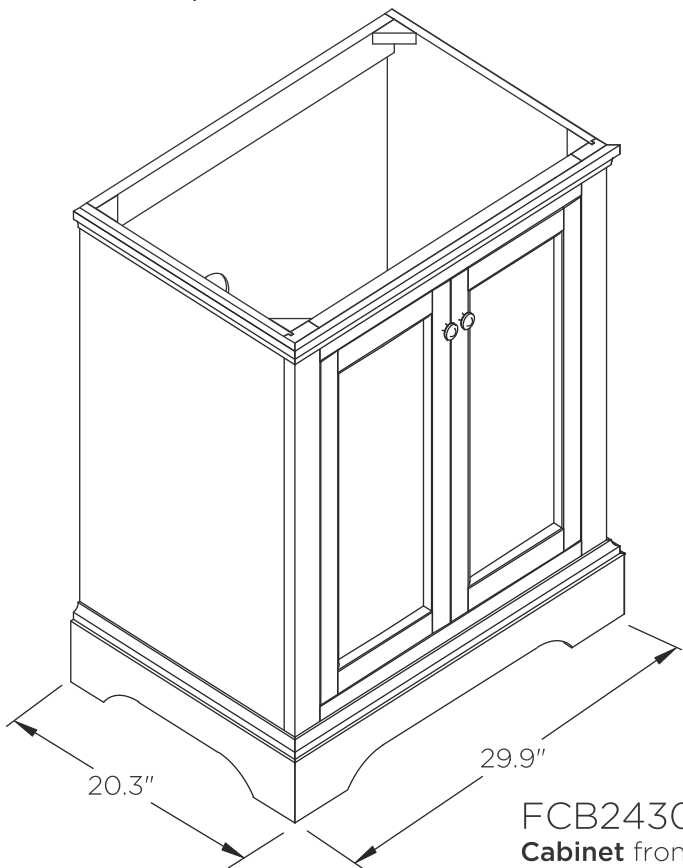
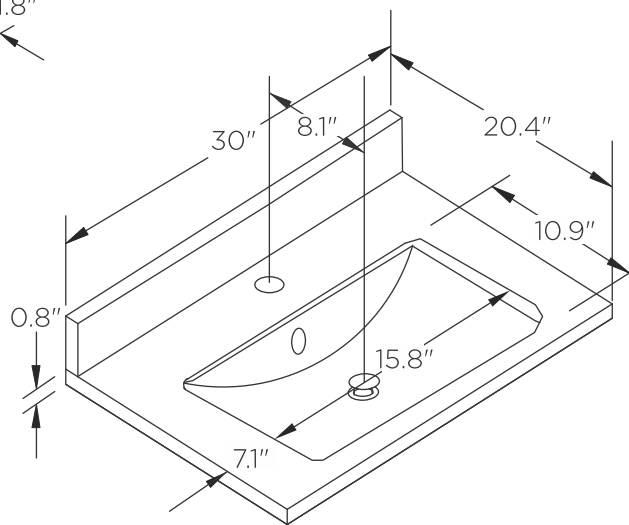
FVN2430
 Vanity front



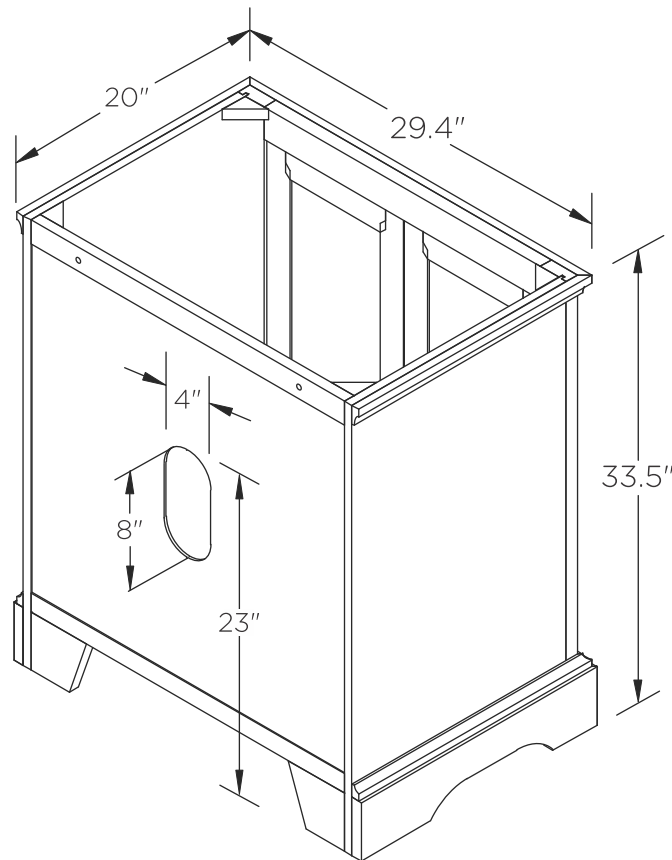
FMR2424
 Mirror front



FCT2030WH-CMB
 Counter Top front



FCB2430
 Cabinet front



FCB2430
 Cabinet back

NOTE: All dimensions & specifications are approximate and subject to change without notice.

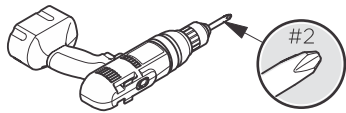


FVN2430 WINDSOR INSTALLATION GUIDE

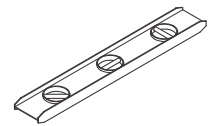
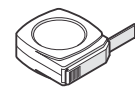
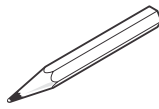
kitchensource.com
1.800.667.8721



TOOLS FOR ASSEMBLY

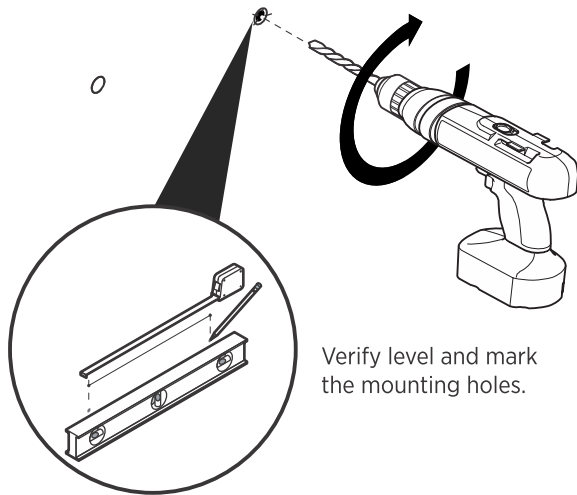


1/4" & 3/8" Drill Bit



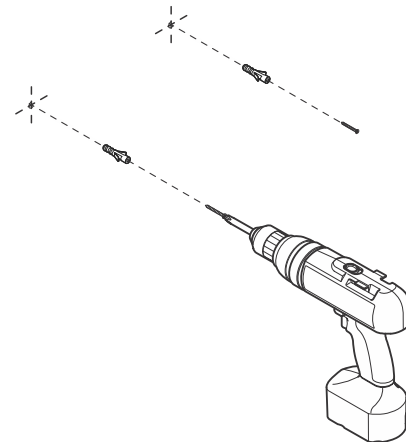
MIRROR INSTALLATION

- 1** Measure distance between the holes and mark it on the wall using a level.



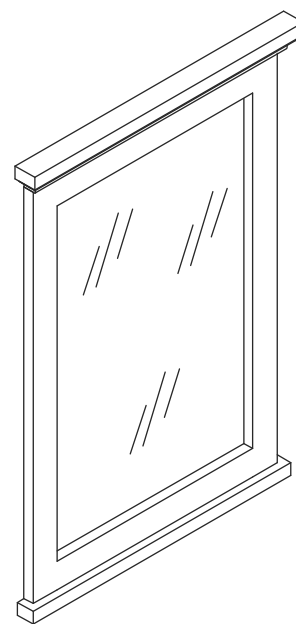
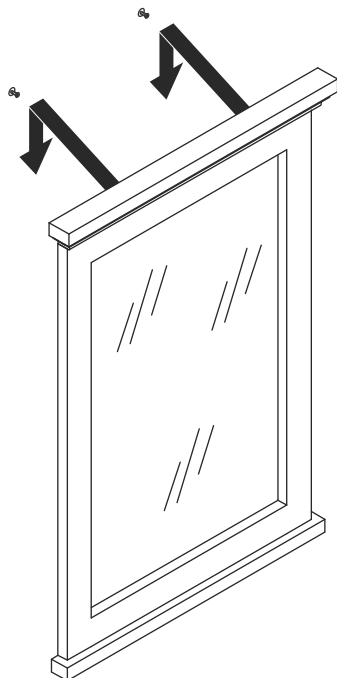
Verify level and mark the mounting holes.

- 2** Press the anchors into the holes.



IMPORTANT: Consult an expert for the proper screws/bolts to use when attaching to various constructions. Screws provided **do not** attach to all wall construction types. Anchors are not required if brackets are installed in stud.

- 3** Hang mirror on the screws.

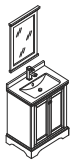


FVN2430

WINDSOR

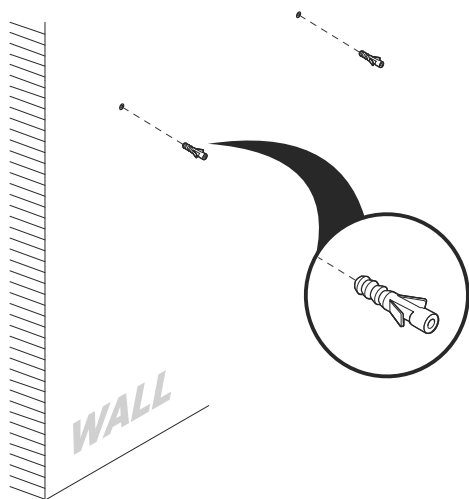
INSTALLATION GUIDE

PAGE 2



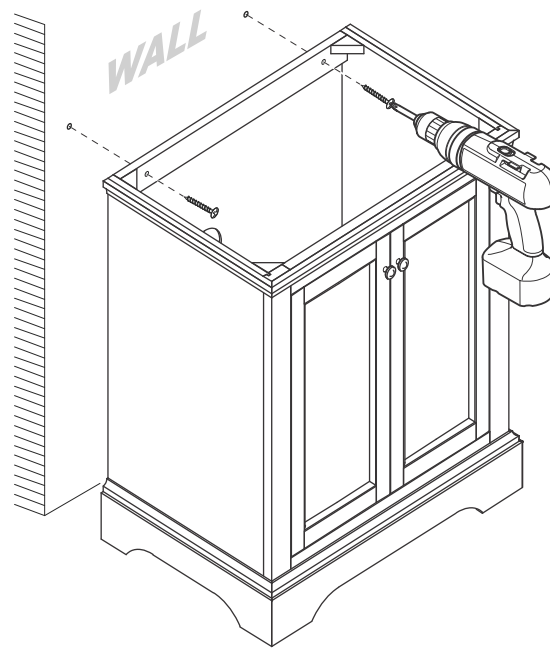
CABINET INSTALLATION

- 1** Drill holes in the wall and insert the anchors.

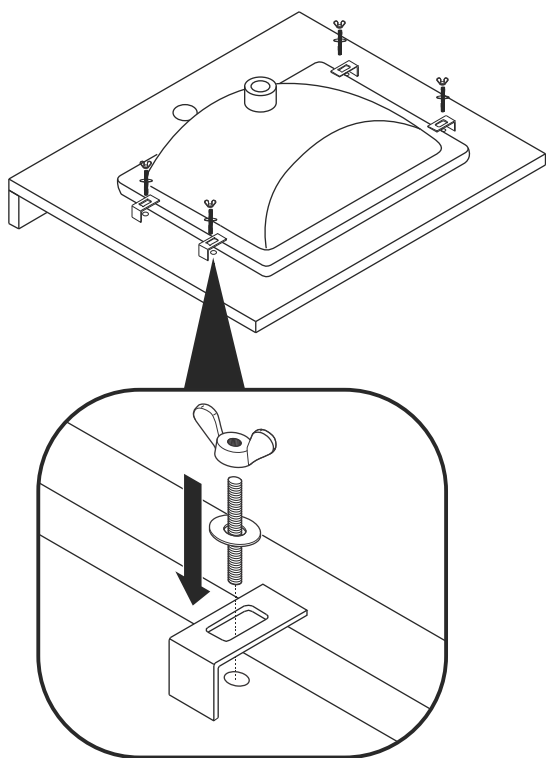


IMPORTANT: Consult an expert for the proper screws/bolts to use when attaching to various constructions. Screws provided do not attach to all wall construction types. Anchors are not required if brackets are installed in stud.

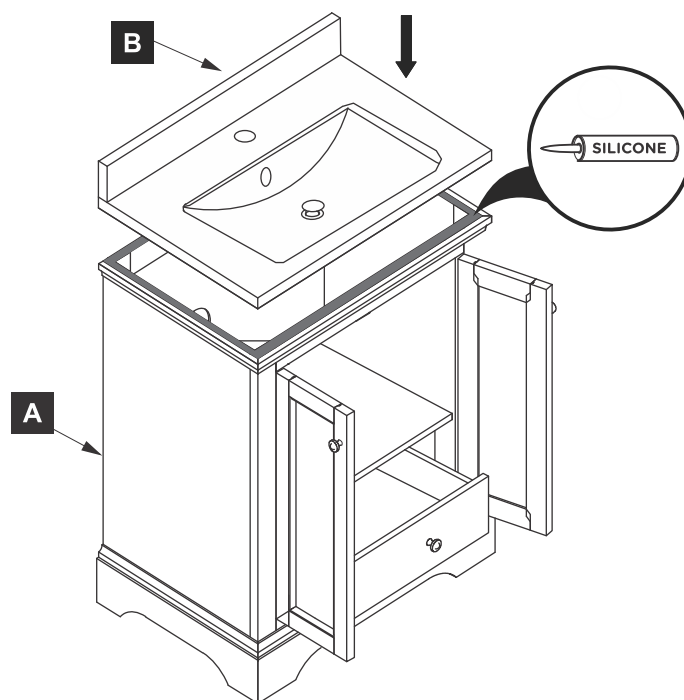
- 2** Mark anchor mounting hole locations on the wall as shown. Attach cabinet to the wall.

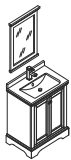


- 3** Flip counter top upside down and attach sink to it using provided brackets & screws.



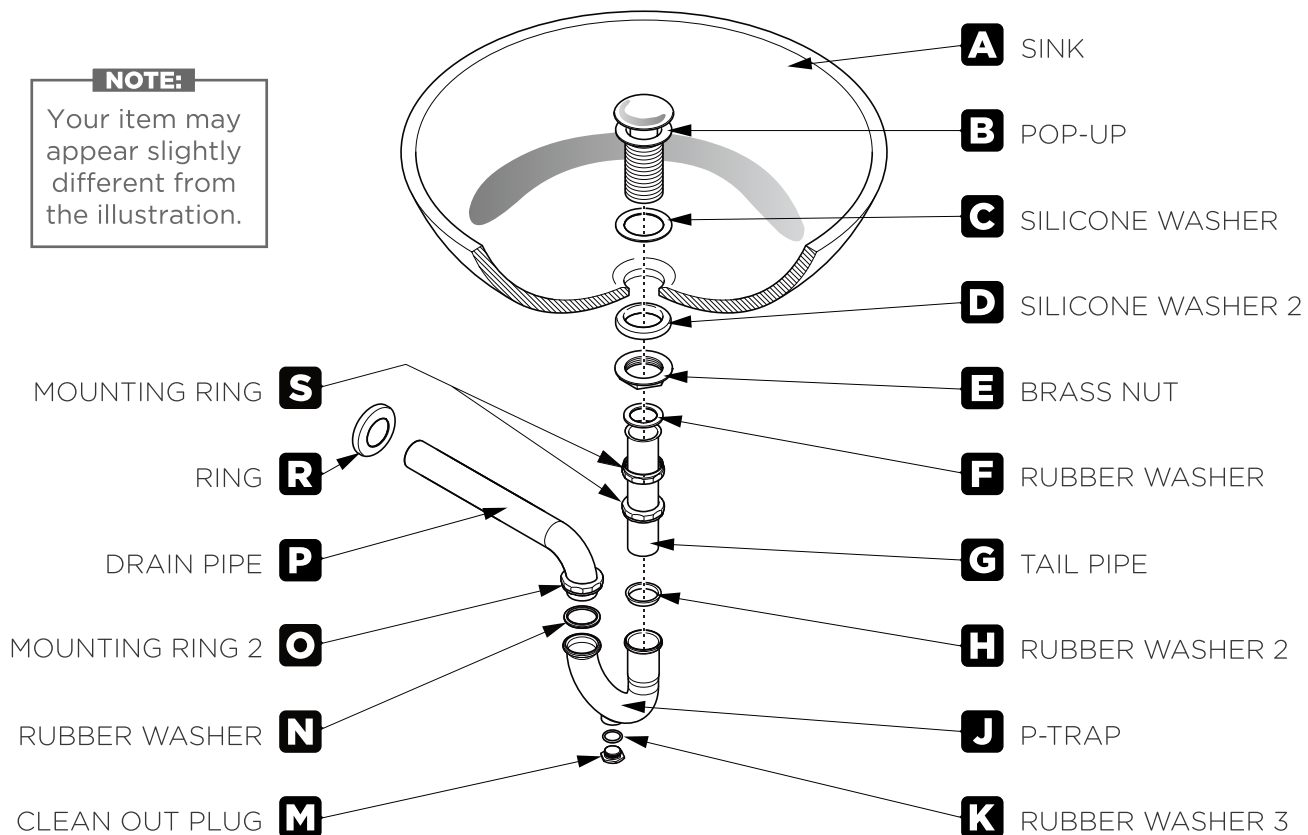
- 4** Apply silicone to the top of the cabinet (A) and place counter top with sink (B) already attached to it.





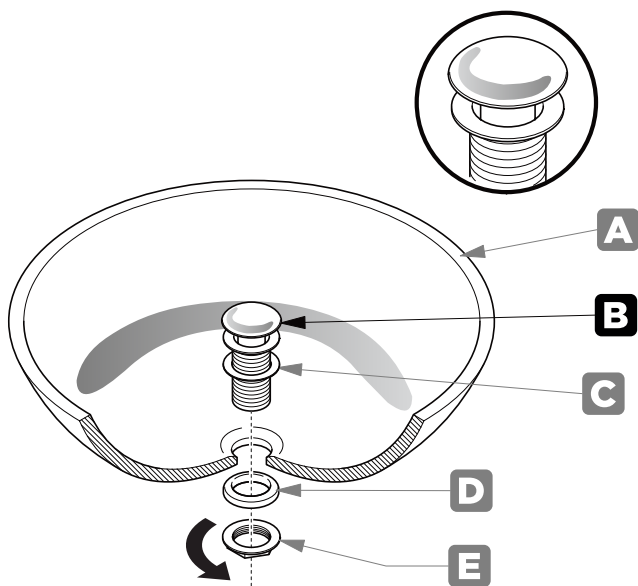
P-TRAP & POP-UP INSTALLATION INSTRUCTIONS

NOTE:
Your item may appear slightly different from the illustration.



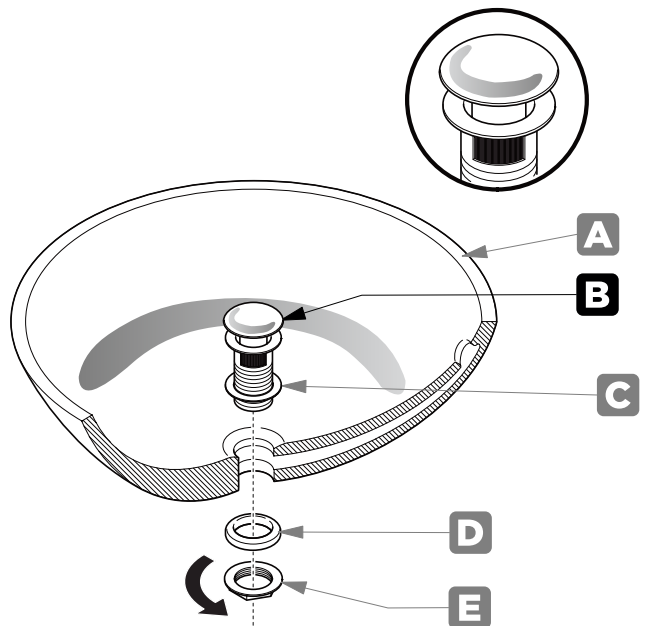
POP-UP INSTALLATION INSTRUCTIONS

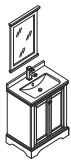
FOR SINKS WITHOUT OVERFLOW



OR

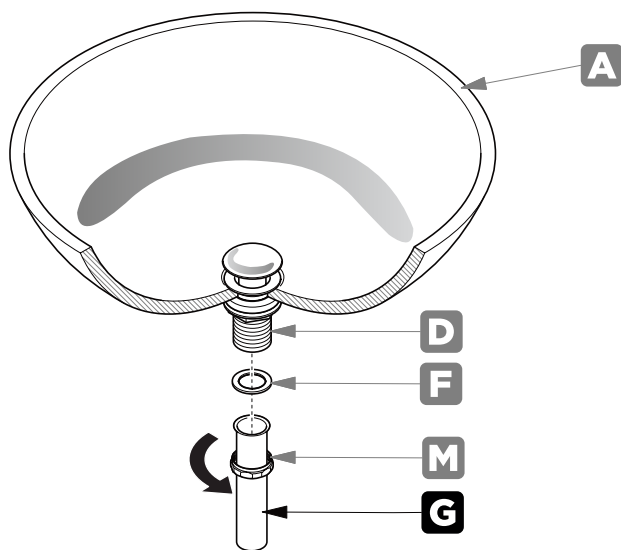
FOR SINKS WITH OVERFLOW





P-TRAP INSTALLATION

1 Install tail pipe (G)



2 Install p-trap (J)

