



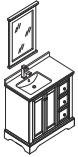
WINDSOR

INSTALLATION GUIDE

FVN2436

CONTENTS:

Mirror	FMR2427	PAGE 2
Cabinet	FCB2436	PAGE 3
Sink	FCT2036WH-CMB	PAGE 3

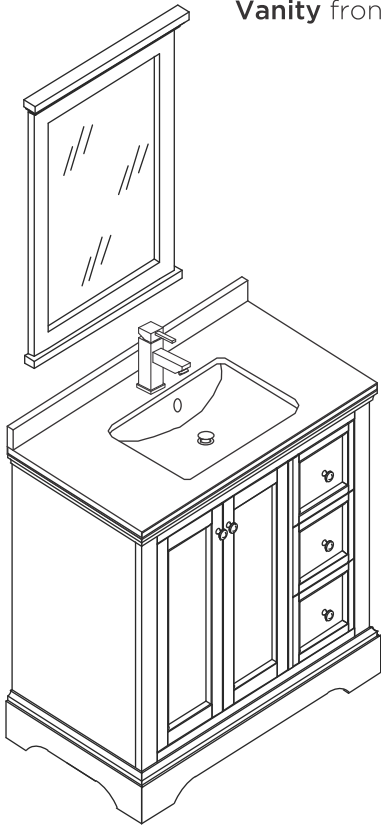


FVN2436
WINDSOR
 INSTALLATION GUIDE

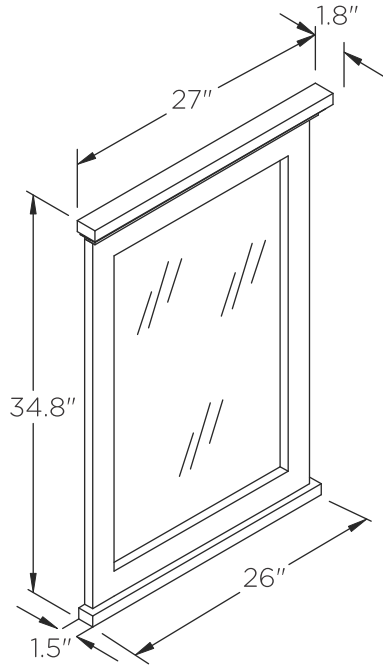
kitchensource.com
 1.800.667.8721



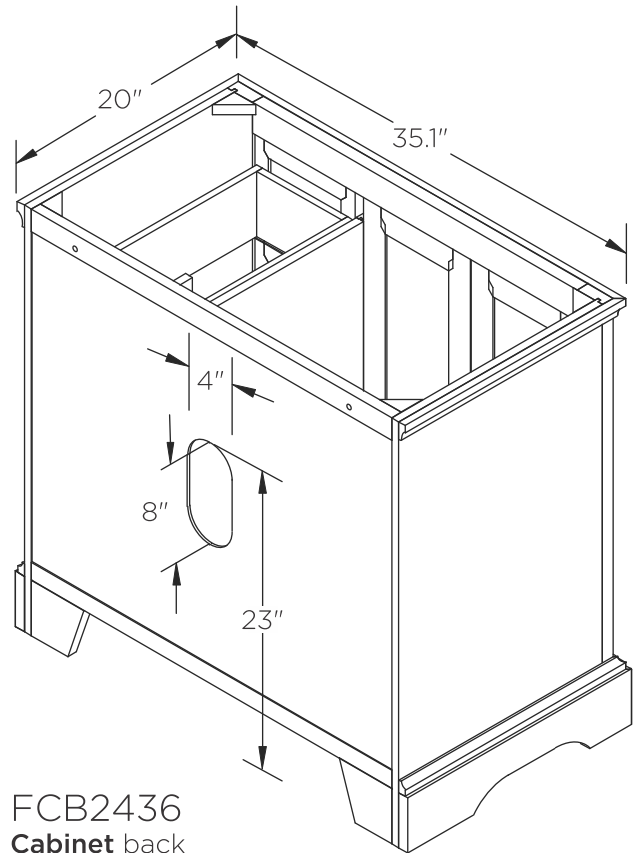
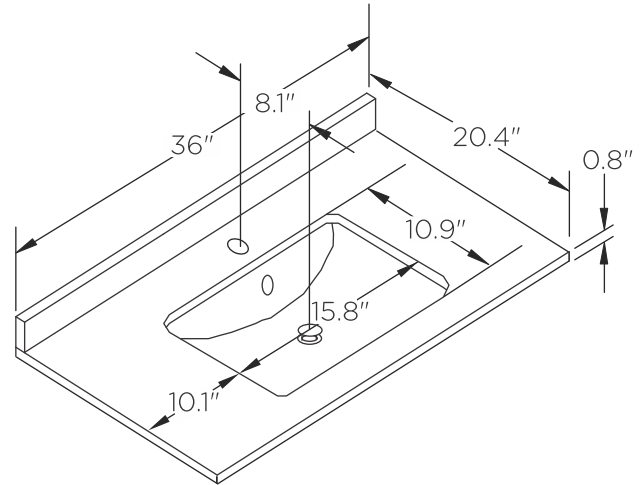
FVN2436
 Vanity front



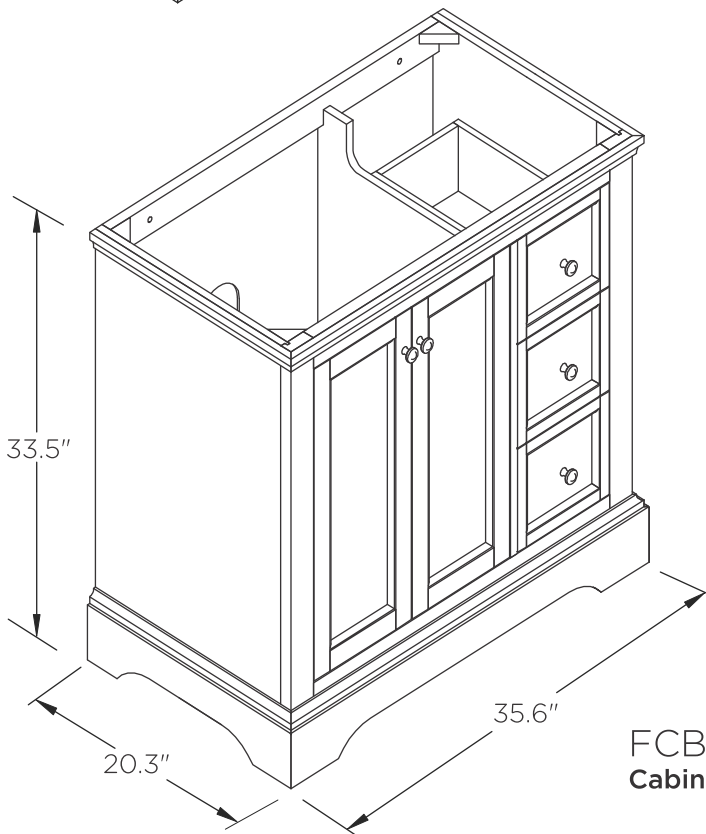
FMR2427
 Mirror front



FCT2036WH-CMB
 Counter Top front



FCB2436
 Cabinet back



FCB2436
 Cabinet front

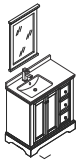
NOTE: All dimensions & specifications are approximate and subject to change without notice.



FVN2436

WINDSOR

INSTALLATION GUIDE

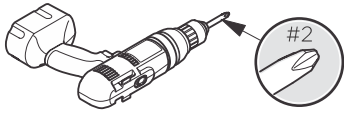


FVN2436 WINDSOR INSTALLATION GUIDE

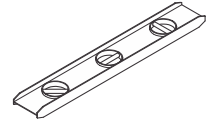
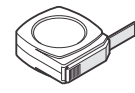
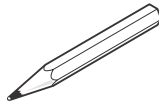
kitchensource.com
1.800.667.8721



TOOLS FOR ASSEMBLY

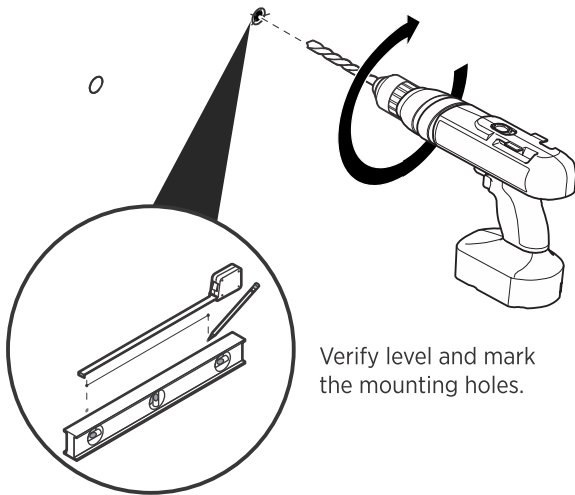


1/4" & 3/8" Drill Bit



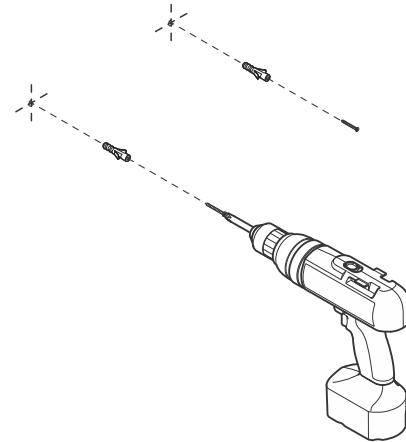
MIRROR INSTALLATION

- 1** Measure distance between the holes and mark it on the wall using a level.



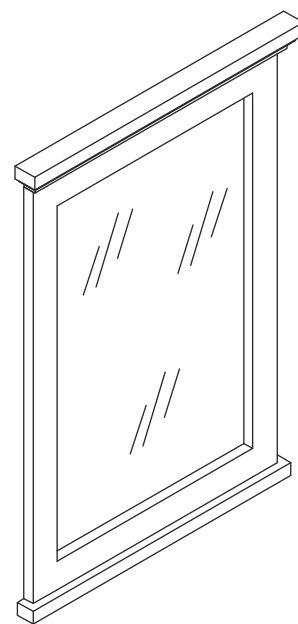
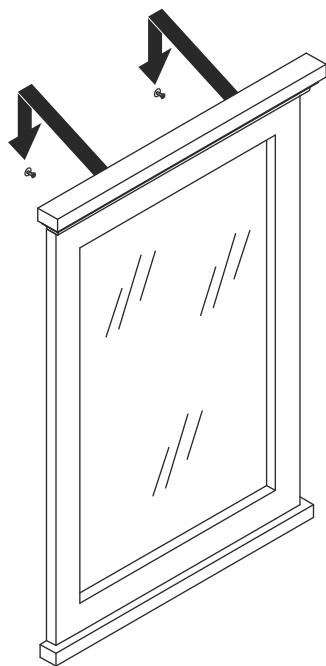
Verify level and mark the mounting holes.

- 2** Press the anchors in the holes and insert the screws with a drill or screwdriver.



IMPORTANT: Consult an expert for the proper screws/bolts to use when attaching to various constructions. Screws provided do not attach to all wall construction types. Anchors are not required if brackets are installed in stud.

- 3** Hang mirror on the screws.



FVN2436

WINDSOR

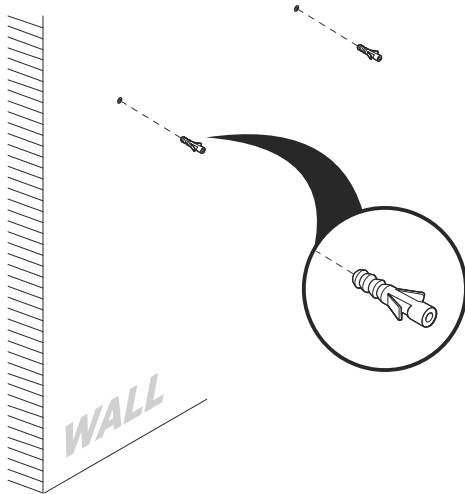
INSTALLATION GUIDE

PAGE 2



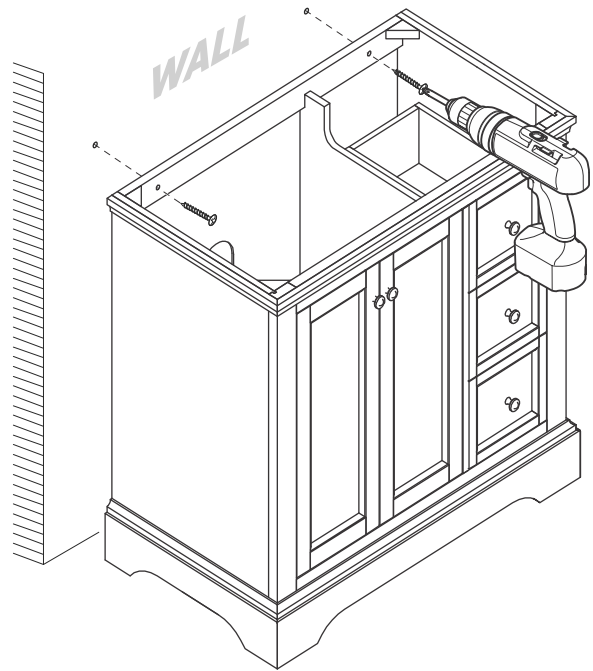
CABINET INSTALLATION

1 Drill holes in the wall and insert the anchors.

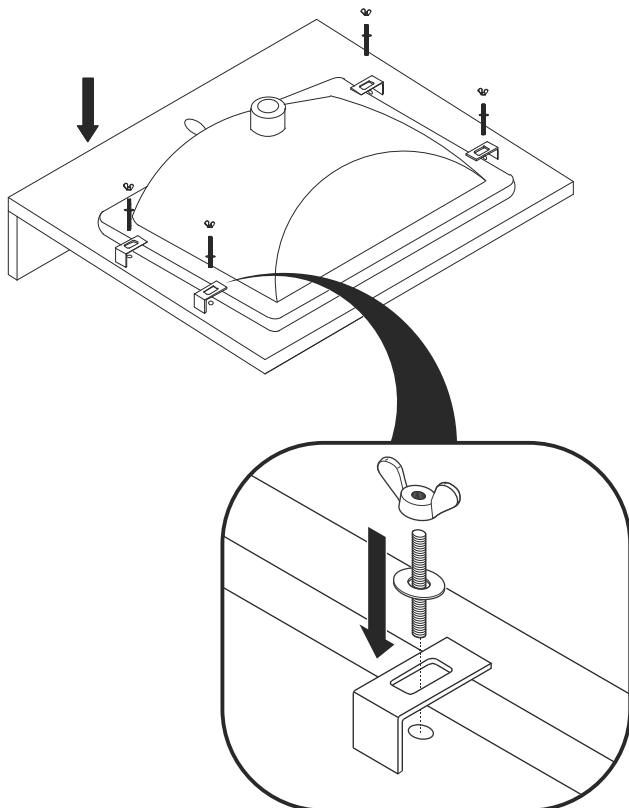


IMPORTANT: Consult an expert for the proper screws/bolts to use when attaching to various constructions. Screws provided do not attach to all wall construction types. Anchors are not required if brackets are installed in stud.

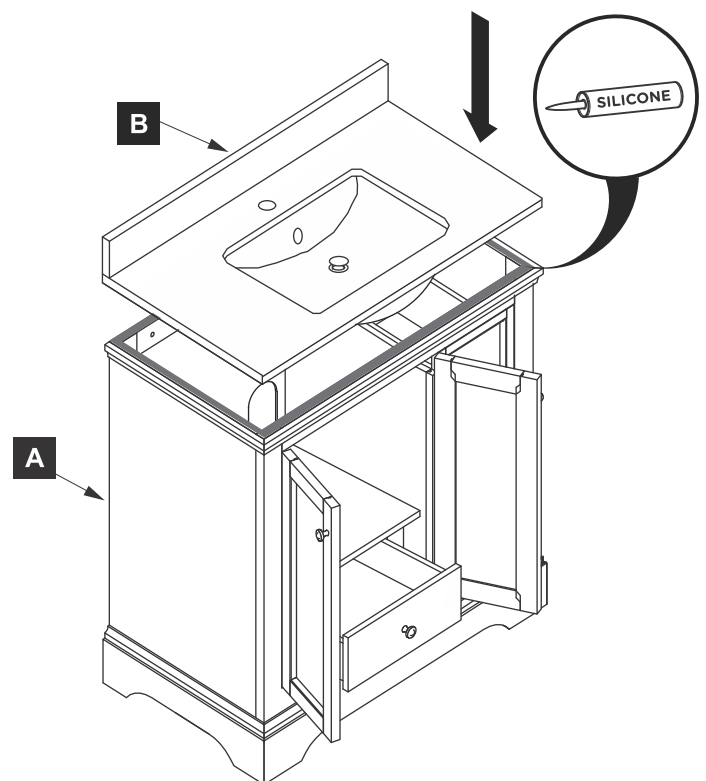
2 Mark anchor mounting hole locations on the wall as shown.

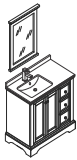


3 Flip counter top upside down and attach sink to it using provided brackets & screws.



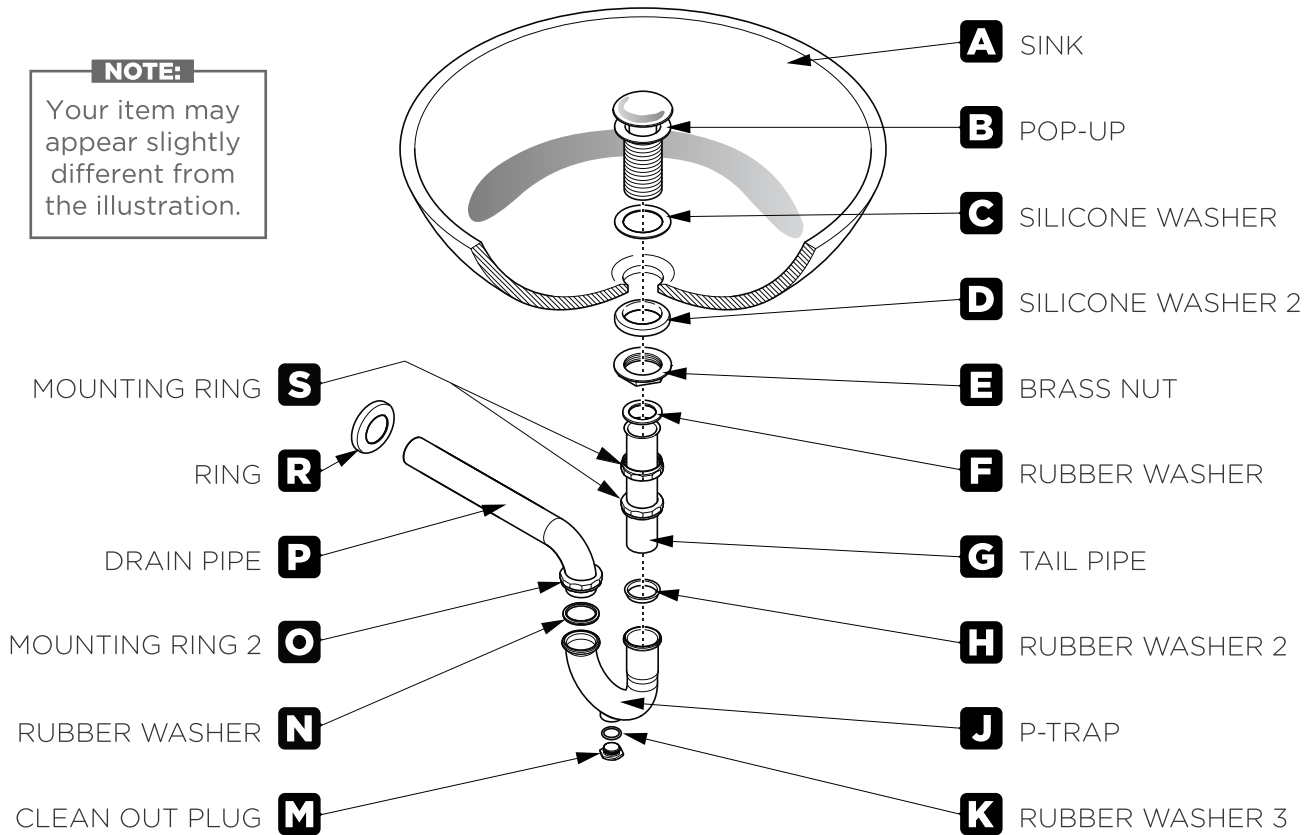
4 Apply silicone to the top of the cabinet (A) and place counter top with sink (B) already attached to it.





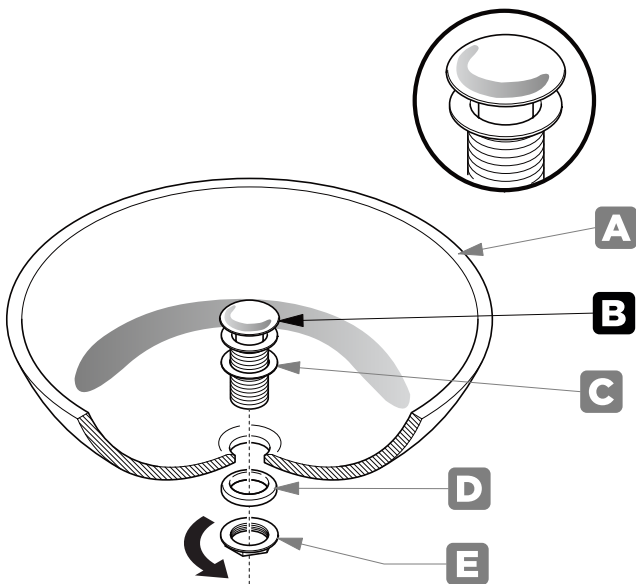
P-TRAP & POP-UP INSTALLATION INSTRUCTIONS

NOTE:
Your item may appear slightly different from the illustration.



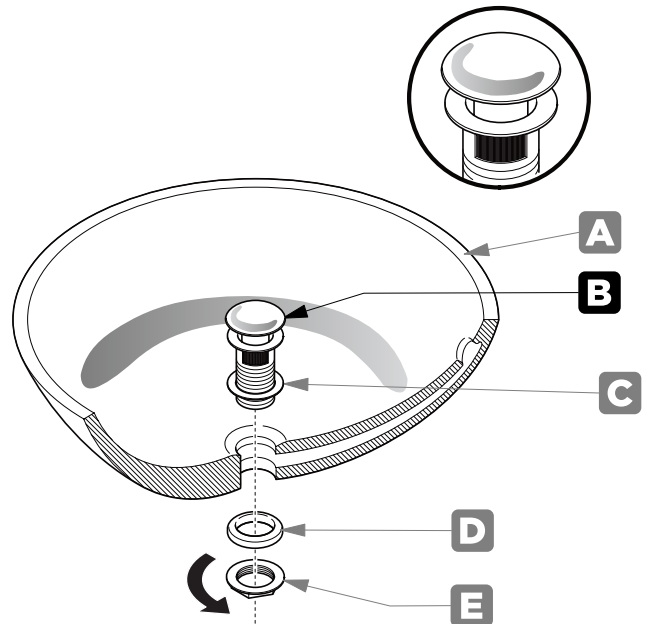
POP-UP INSTALLATION

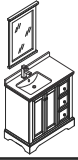
FOR SINKS
WITHOUT OVERFLOW



OR

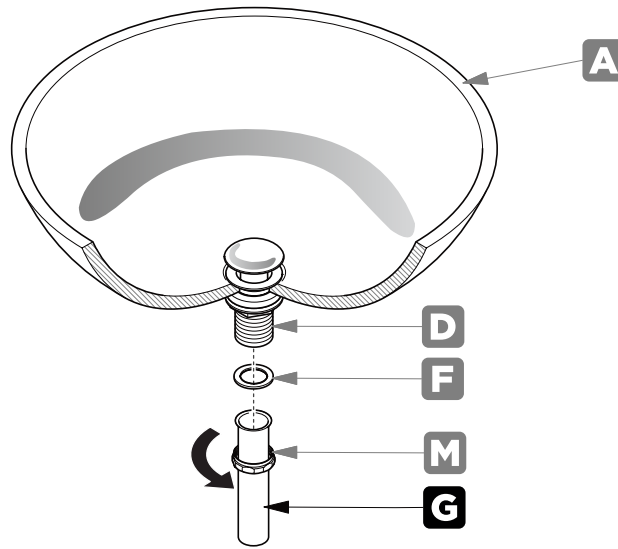
FOR SINKS
WITH OVERFLOW





P-TRAP INSTALLATION

1 Install tail pipe (G)



2 Install p-trap (J)

