



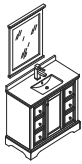
# WINDSOR

## INSTALLATION GUIDE

### FVN2440

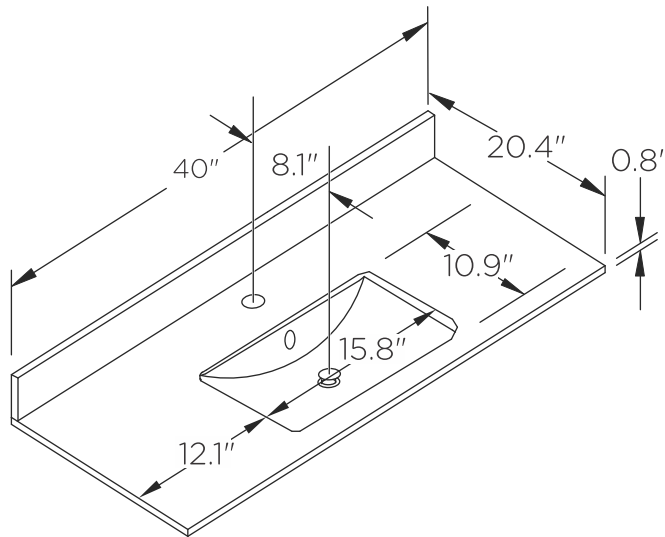
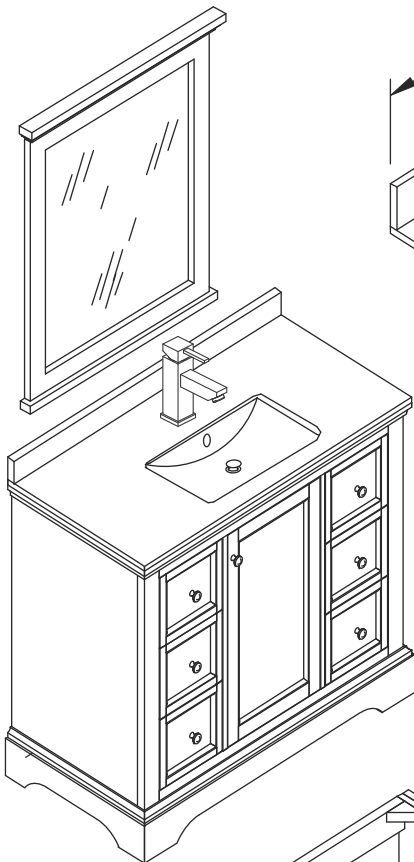
## CONTENTS:

Mirror .....	FMR2430.....	PAGE 2
Cabinet .....	FCB2440.....	PAGE 3
Sink .....	FCT2040WH-CMB.....	PAGE 3

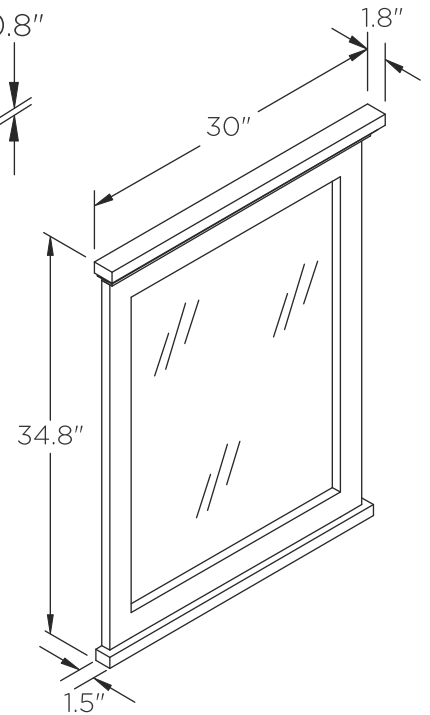


**FVN2440**  
**WINDSOR**  
 INSTALLATION GUIDE

**kitchensource.com**  
 1.800.667.8721



**FCT2040WH-CMB**  
**Counter Top front**

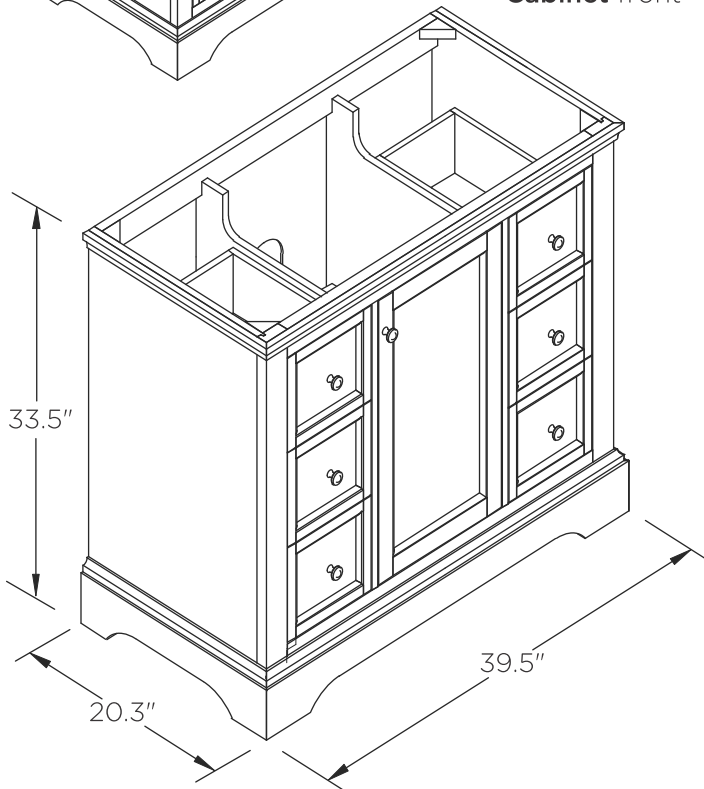
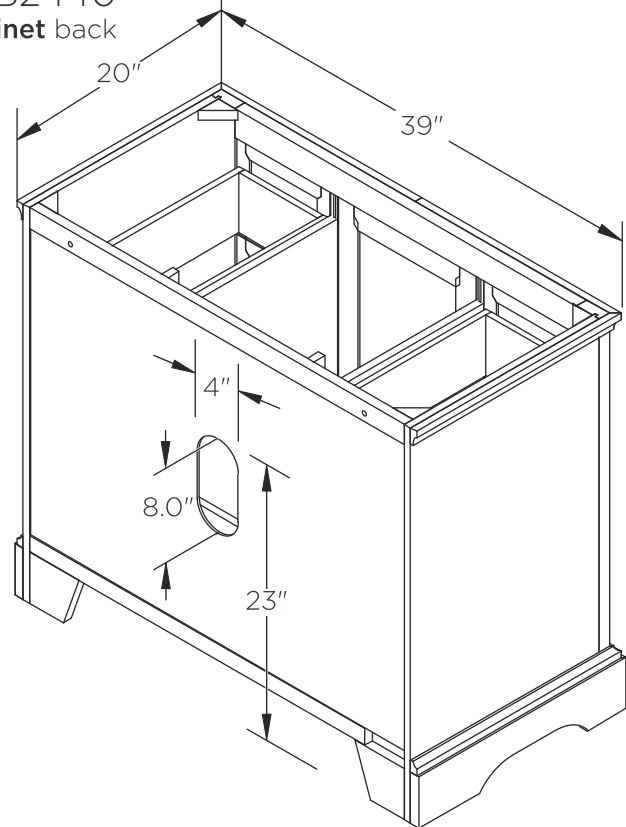


**FMR2430**  
**Mirror front**

**FVN2440**  
**Vanity front**

**FCB2440**  
**Cabinet back**

**FCB2440**  
**Cabinet front**



**NOTE:** All dimensions & specifications are approximate and subject to change without notice.

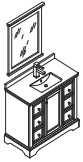


**FVN2440**

**WINDSOR**

**INSTALLATION GUIDE**

PAGE 1

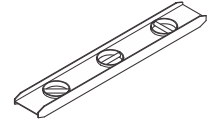
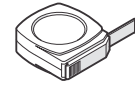
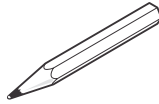
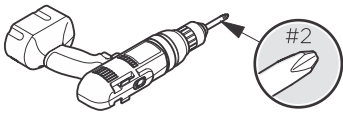


# FVN2440 WINDSOR INSTALLATION GUIDE

**kitchensource.com**  
1.800.667.8721

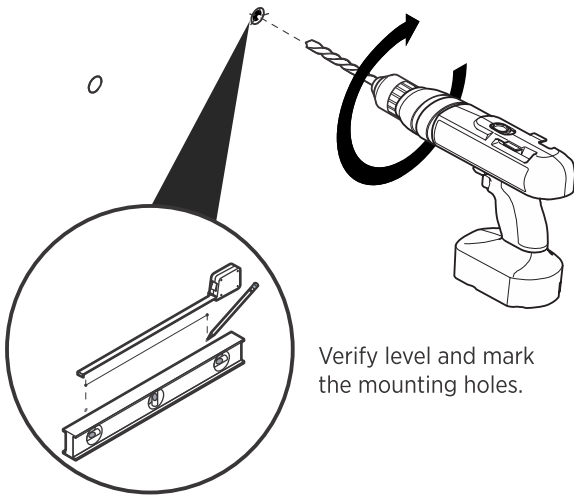


## TOOLS FOR ASSEMBLY

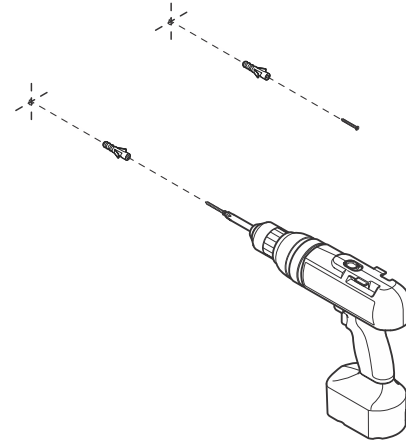


## MIRROR INSTALLATION

- 1** Measure distance between the holes and mark it on the wall using a level.

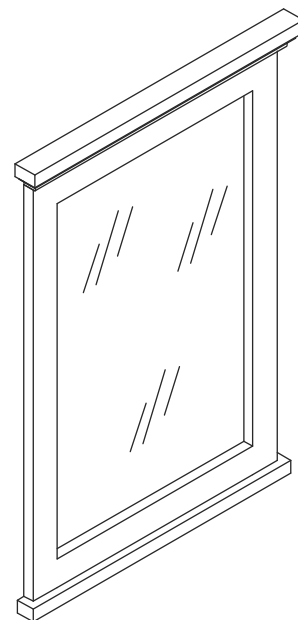
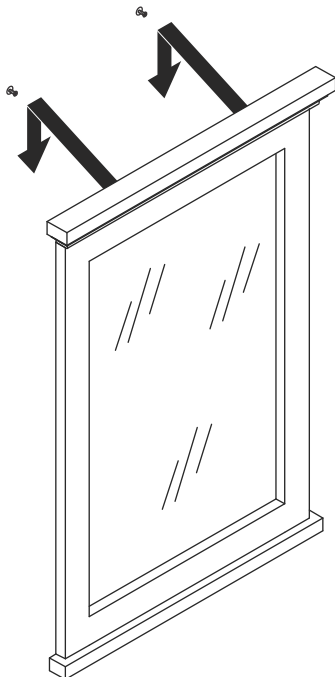


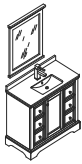
- 2** Press the anchors into the holes.



**IMPORTANT:** Consult an expert for the proper screws/bolts to use when attaching to various constructions. Screws provided do not attach to all wall construction types. Anchors are not required if brackets are installed in stud.

- 3** Hang mirror on the screws.





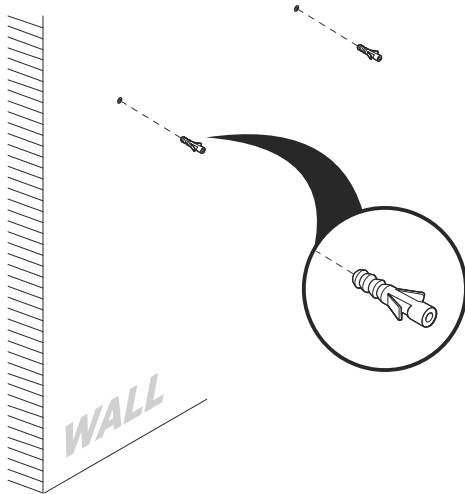
# FVN2440 WINDSOR INSTALLATION GUIDE

●●●kitchensource.com  
1.800.667.8721



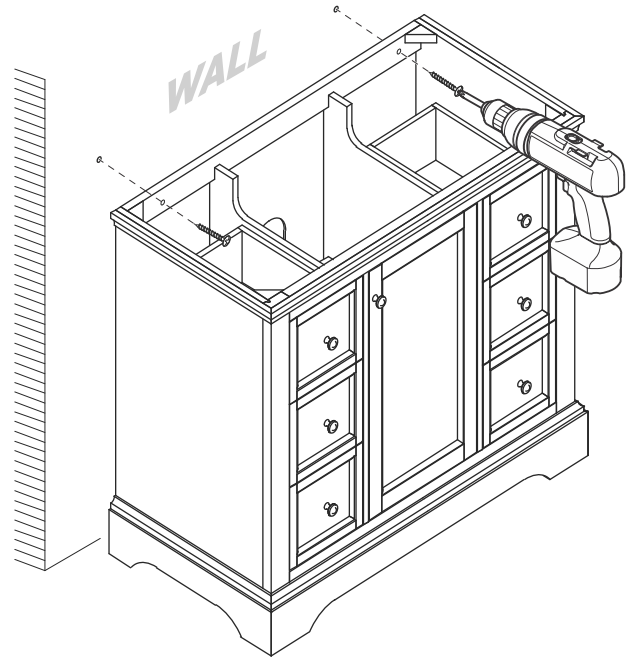
## CABINET INSTALLATION

- 1** Drill holes in the wall and insert the anchors.

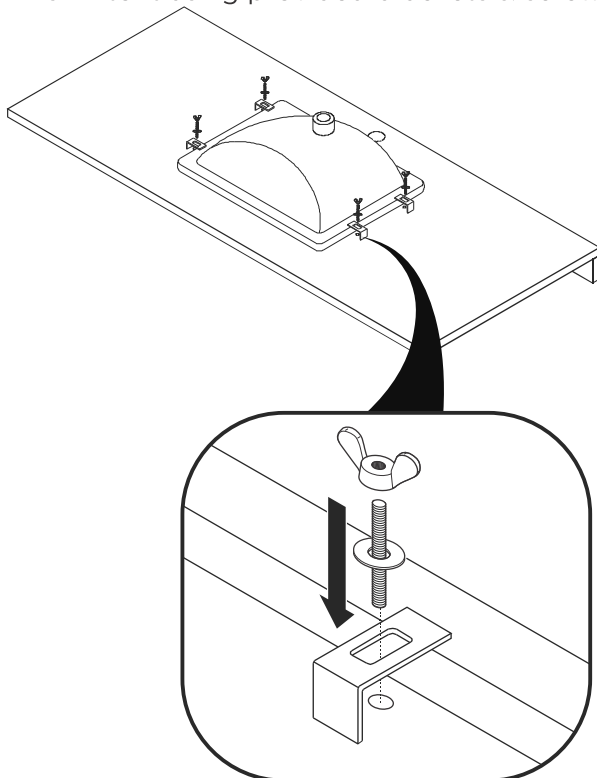


**IMPORTANT:** Consult an expert for the proper screws/bolts to use when attaching to various constructions. Screws provided do not attach to all wall construction types. Anchors are not required if brackets are installed in stud.

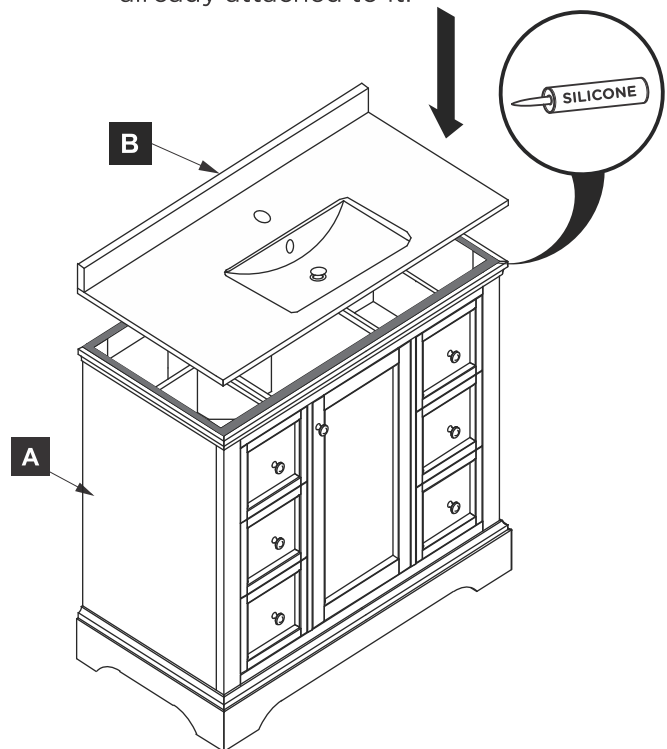
- 2** Mark anchor mounting hole locations on the wall as shown.



- 3** Flip counter top upside down and attach sink to it using provided brackets & screws.



- 4** Apply silicone to the top of the cabinet (A) and place counter top with sink (B) already attached to it.

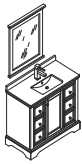


**FVN2440**

**WINDSOR**

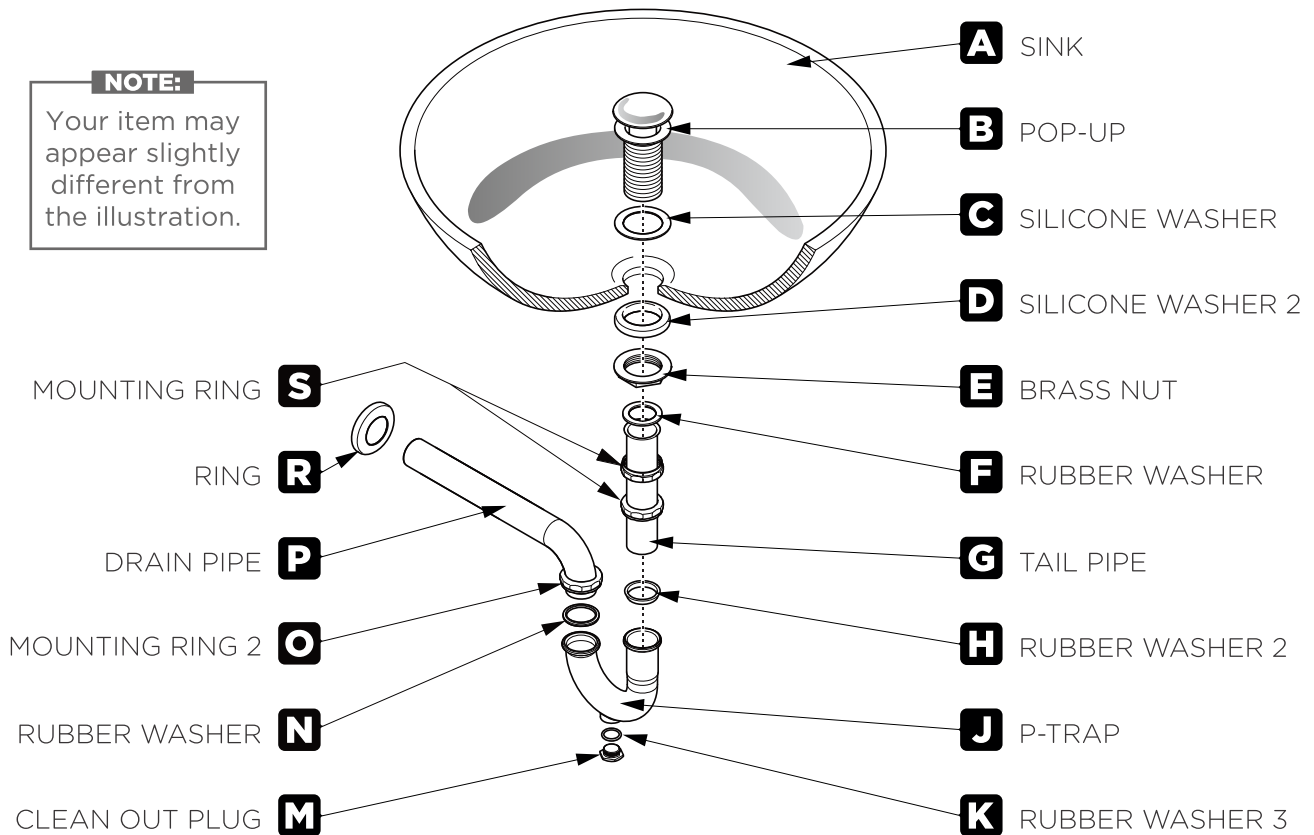
**INSTALLATION GUIDE**

PAGE 3



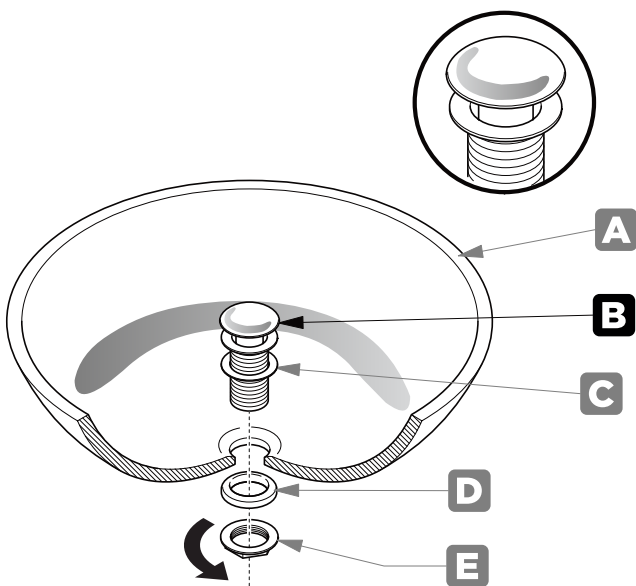
**P-TRAP & POP-UP INSTALLATION INSTRUCTIONS**

**NOTE:**  
Your item may appear slightly different from the illustration.



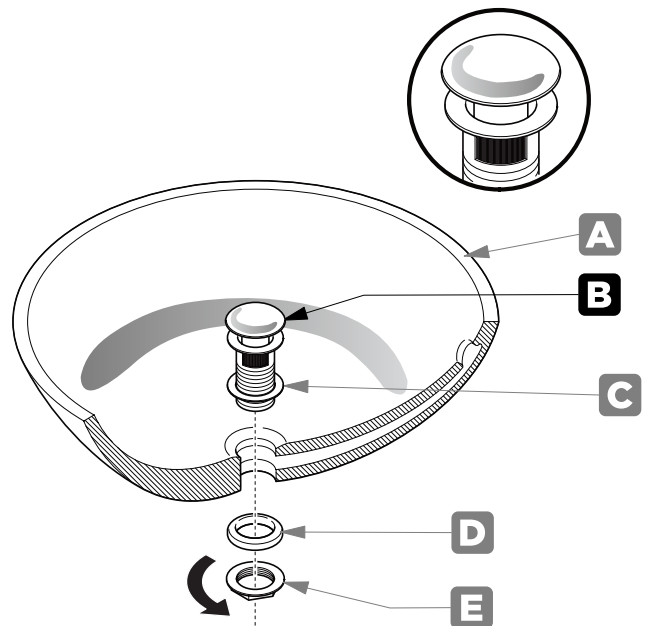
**POP-UP INSTALLATION INSTRUCTIONS**

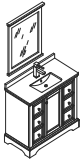
**FOR SINKS WITHOUT OVERFLOW**



**OR**

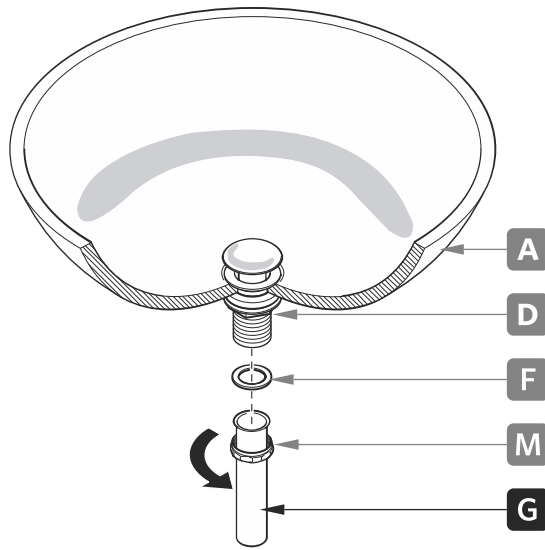
**FOR SINKS WITH OVERFLOW**





**P-TRAP INSTALLATION**

**1** Install tail pipe (C)



**2** Install p-trap (J)

