



# **FVN8003**

# VALENCIA

## **INSTALLATION GUIDE**

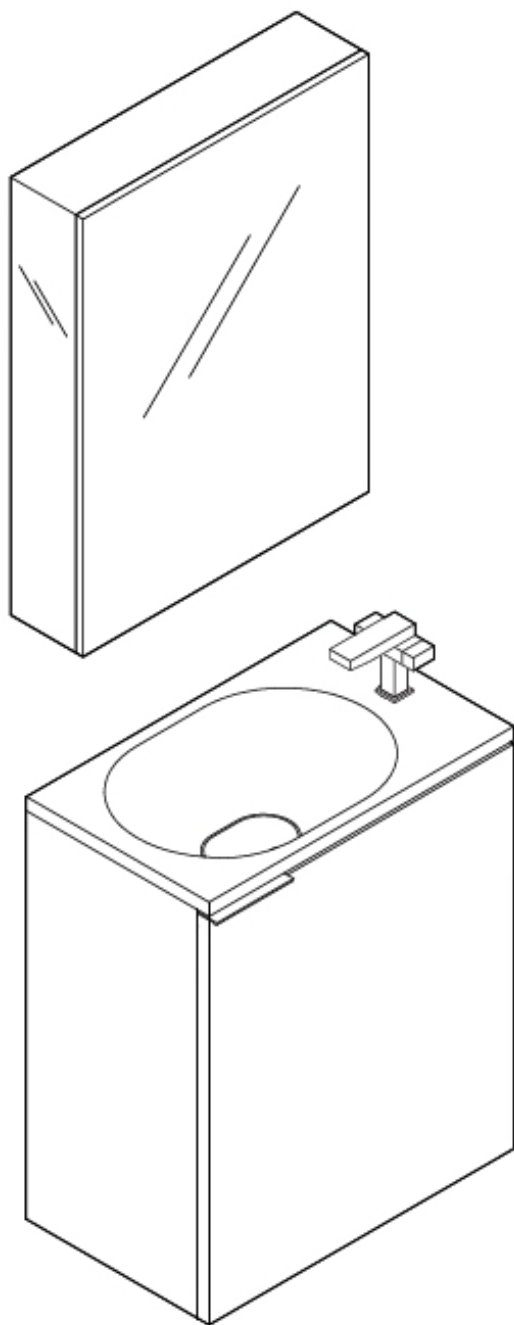
### CONTENTS:

Cabinet .....	(FCB8003) .....	PAGE <b>4</b>
Sink .....	(FVS8003) .....	PAGE <b>4</b>
Medicine Cabinet .....	(FMC8015) .....	PAGE <b>3</b>



**FVN8003**  
**VALENCIA**  
**INSTALLATION GUIDE**

**://kitchensource.com**  
☎ 1.800.667.8721



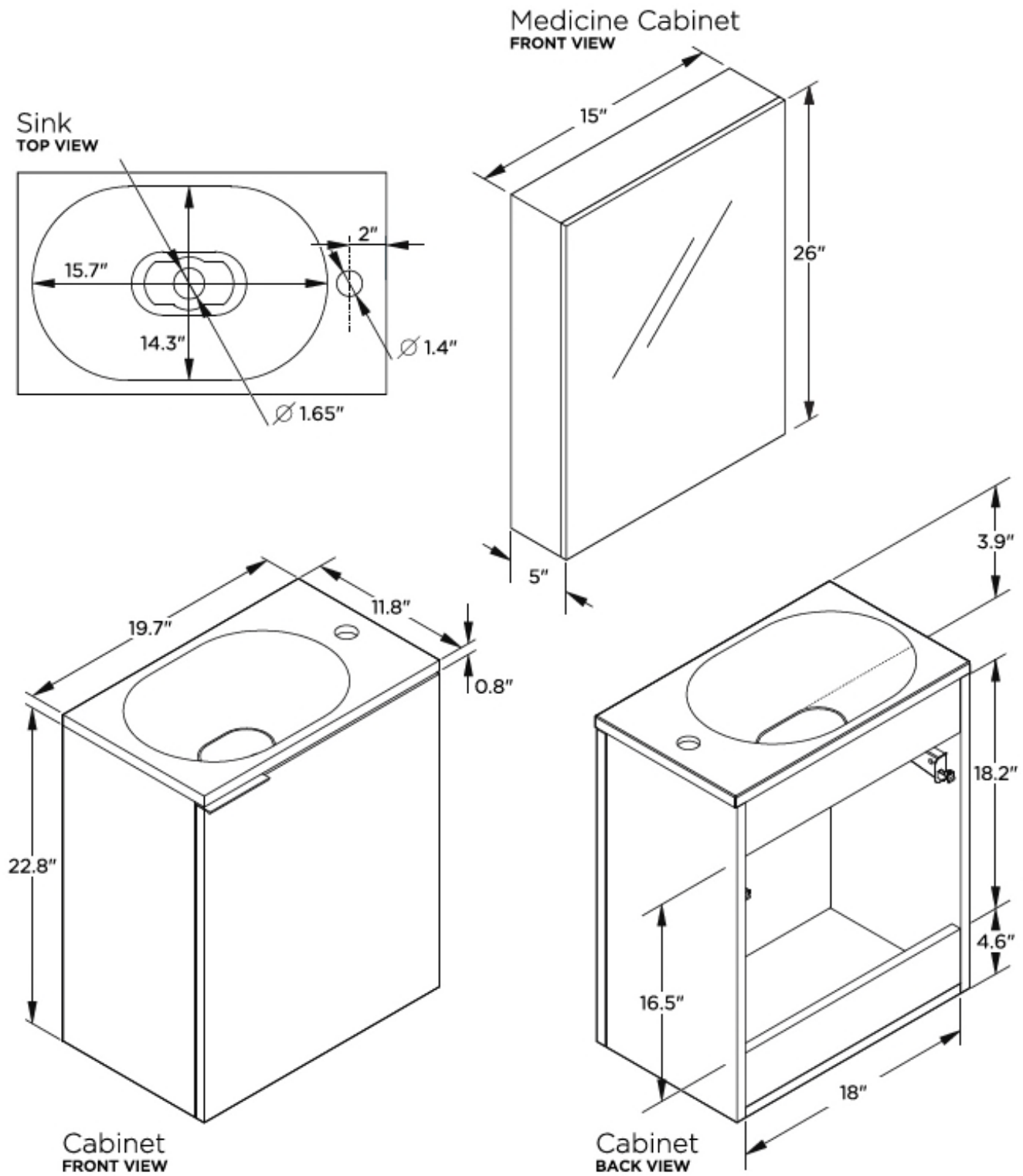


# FVN8003 VALENCIA INSTALLATION GUIDE

**kitchensource.com**  
1.800.667.8721



## DIMENSIONS

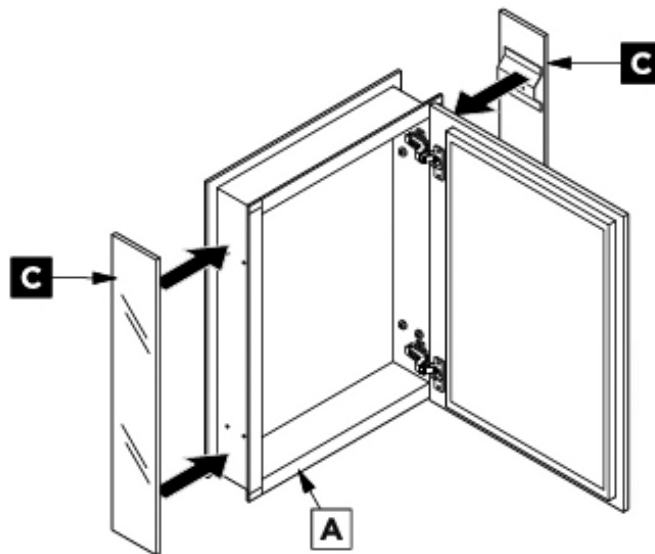


**NOTE:** ALL DIMENSIONS & SPECIFICATIONS ARE APPROXIMATE AND SUBJECT TO CHANGE WITHOUT NOTICE.

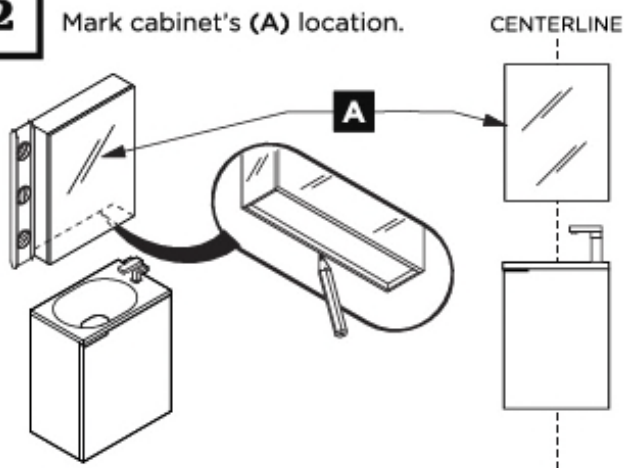


# MEDICINE CABINET INSTALLATION

- 1** Attach side mirrors (C) to the medicine cabinet (A).

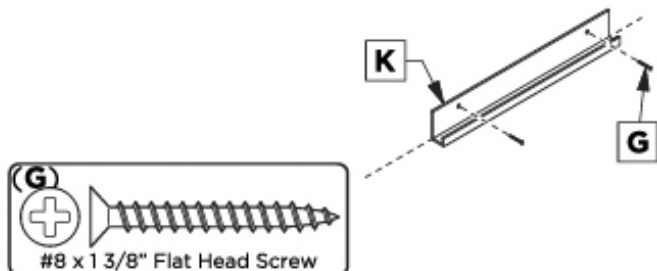


- 2** Mark cabinet's (A) location.

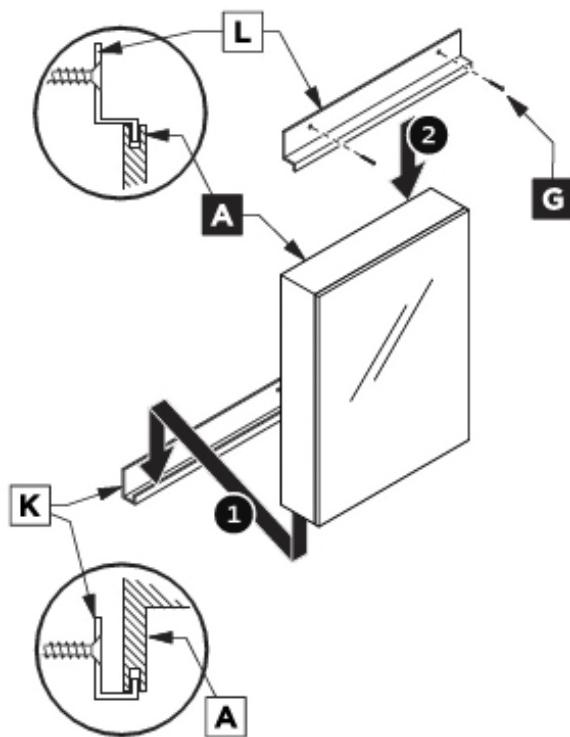


- 3** Install a bottom bracket (K).

**IMPORTANT:** Consult an expert for the proper screws/bolts to use when attaching to various constructions. Screws provided **do not** attach to all wall construction types. Anchors are not required if brackets are installed in stud.



- 4** \* Place cabinet (A) on the bottom bracket (K) and secure it with a top bracket (L).



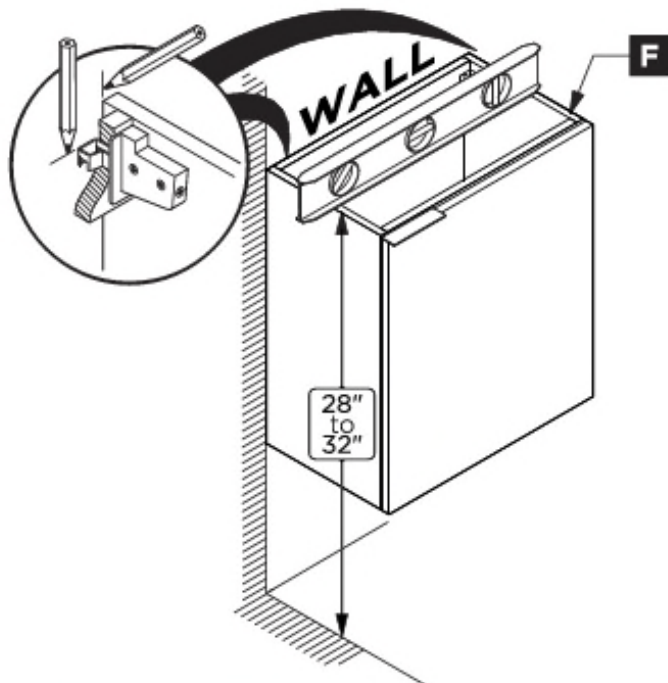
\*This step requires assistance to hold cabinet in place until top bracket is securely attached.

**kitchensource.com**

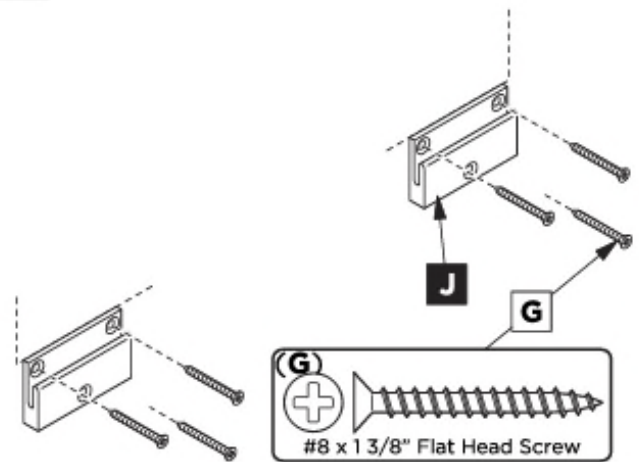
1.800.667.8721

# CABINET INSTALLATION

- 1** Mark cabinet's (F) location on the wall.

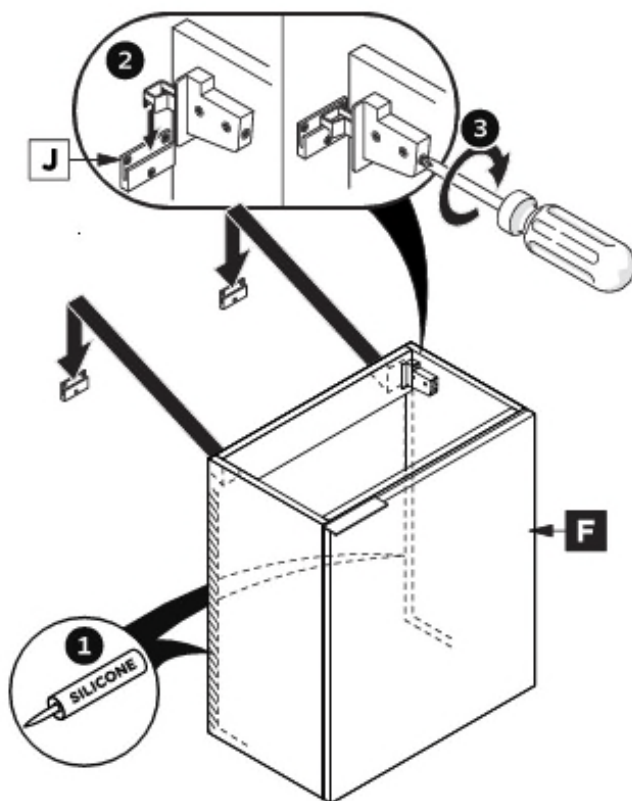


- 2** Attach wall brackets (J) to the wall.

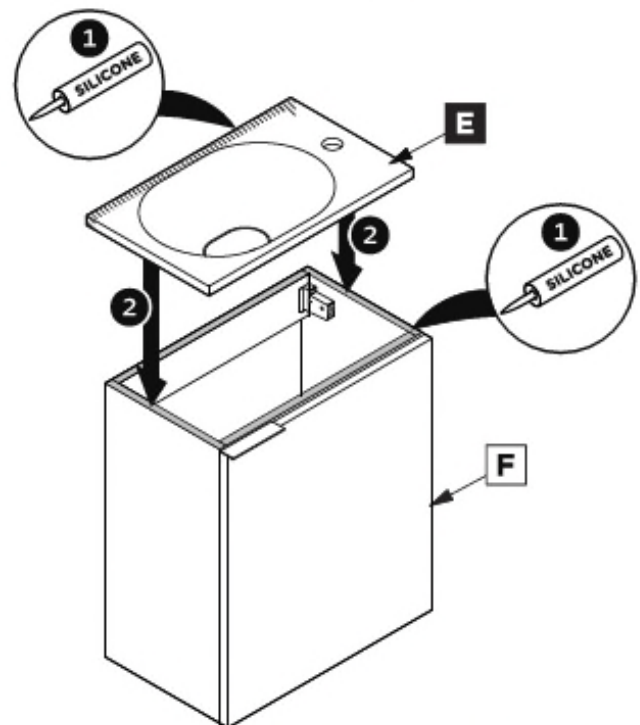


**IMPORTANT:** Consult an expert for the proper screws/bolts to use when attaching to various constructions. Screws provided do not attach to all wall construction types. Anchors are not required if brackets are installed in stud.

- 3** Apply a bead of silicone on the back of the cabinet (F). Hang a cabinet (F) on the brackets (J) and secure it with a screwdriver.



- 4** Apply a bead of silicone on the top of the cabinet (F) and place sink (E) on it. Apply silicone on the bottom of the cabinet (F) and place the sink (E) on it.



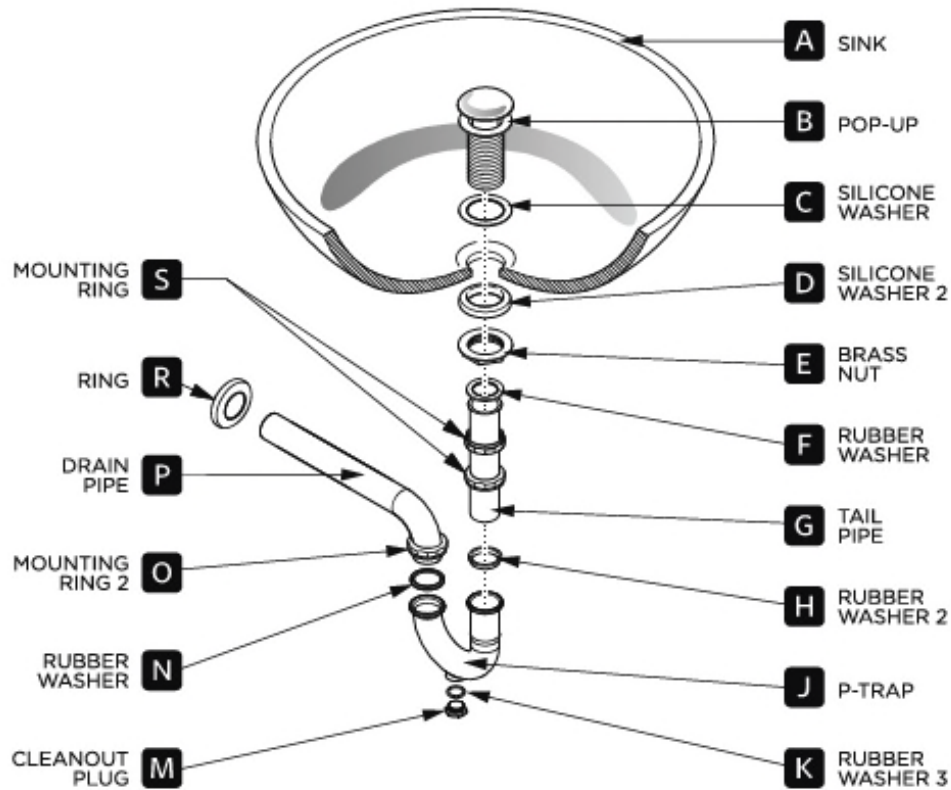
**kitchensource.com**

1.800.667.8721



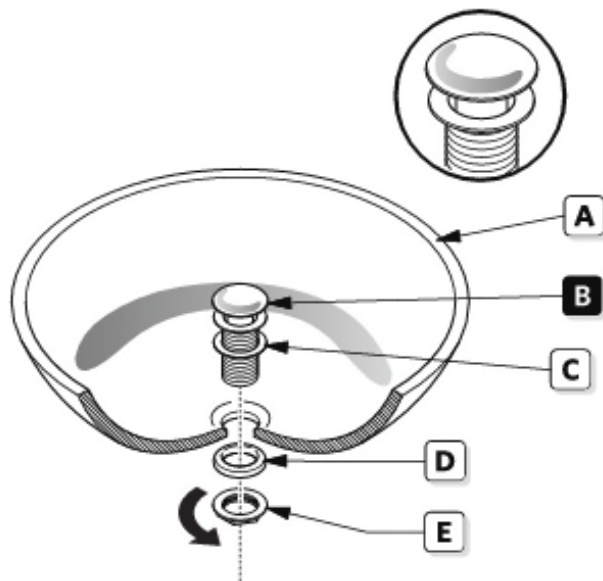
# P-TRAP & POP-UP INSTALLATION INSTRUCTIONS

Your item may appear slightly different from the illustration.



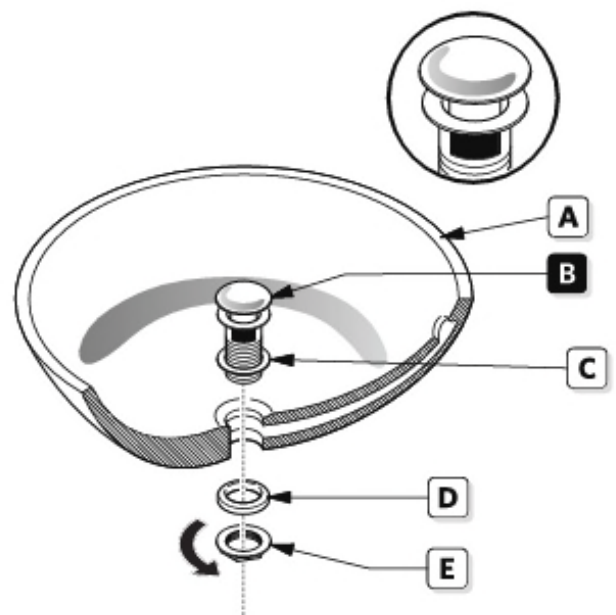
## POP-UP INSTALLATION INSTRUCTIONS

**FOR SINKS WITHOUT OVERFLOW**



OR

**FOR SINKS WITH OVERFLOW**



[kitchensource.com](http://kitchensource.com)  
1.800.667.8721

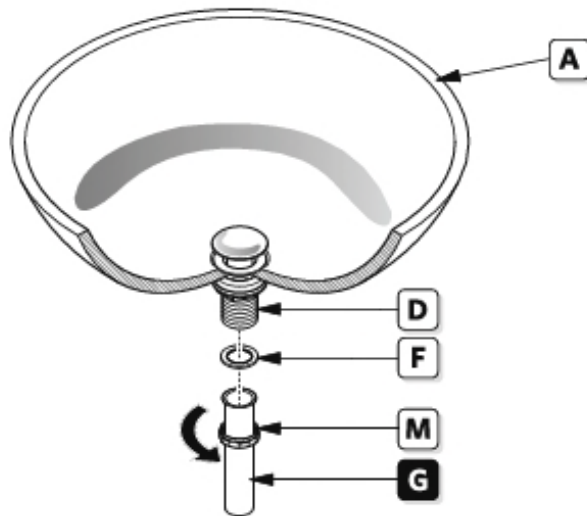


**FVN8003 | VALENCIA | INSTALLATION GUIDE**

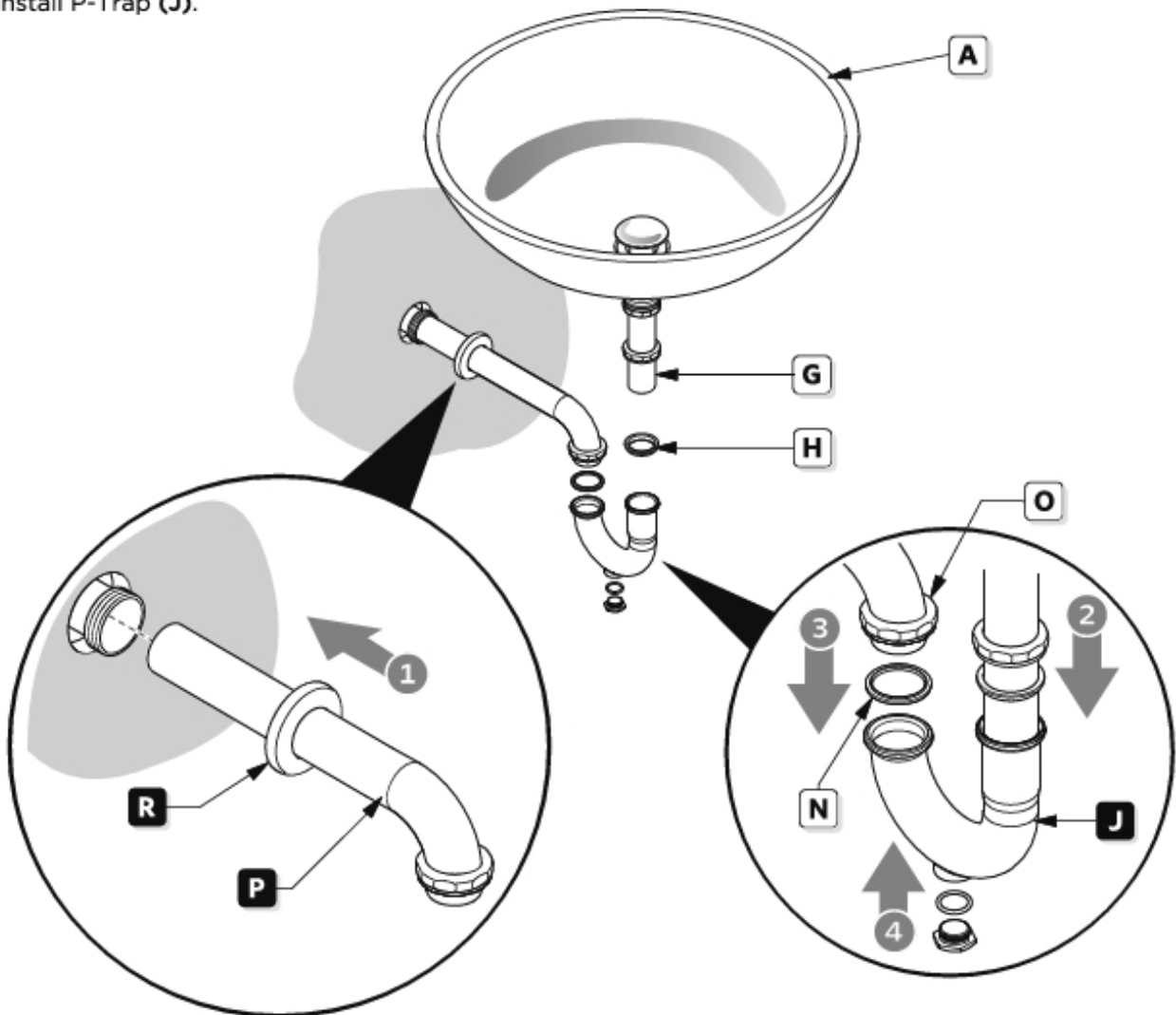
PAGE 5

# P-TRAP INSTALLATION

**1** Install Tail Pipe (G).



**2** Install P-Trap (J).



[kitchensource.com](http://kitchensource.com)  
1.800.667.8721