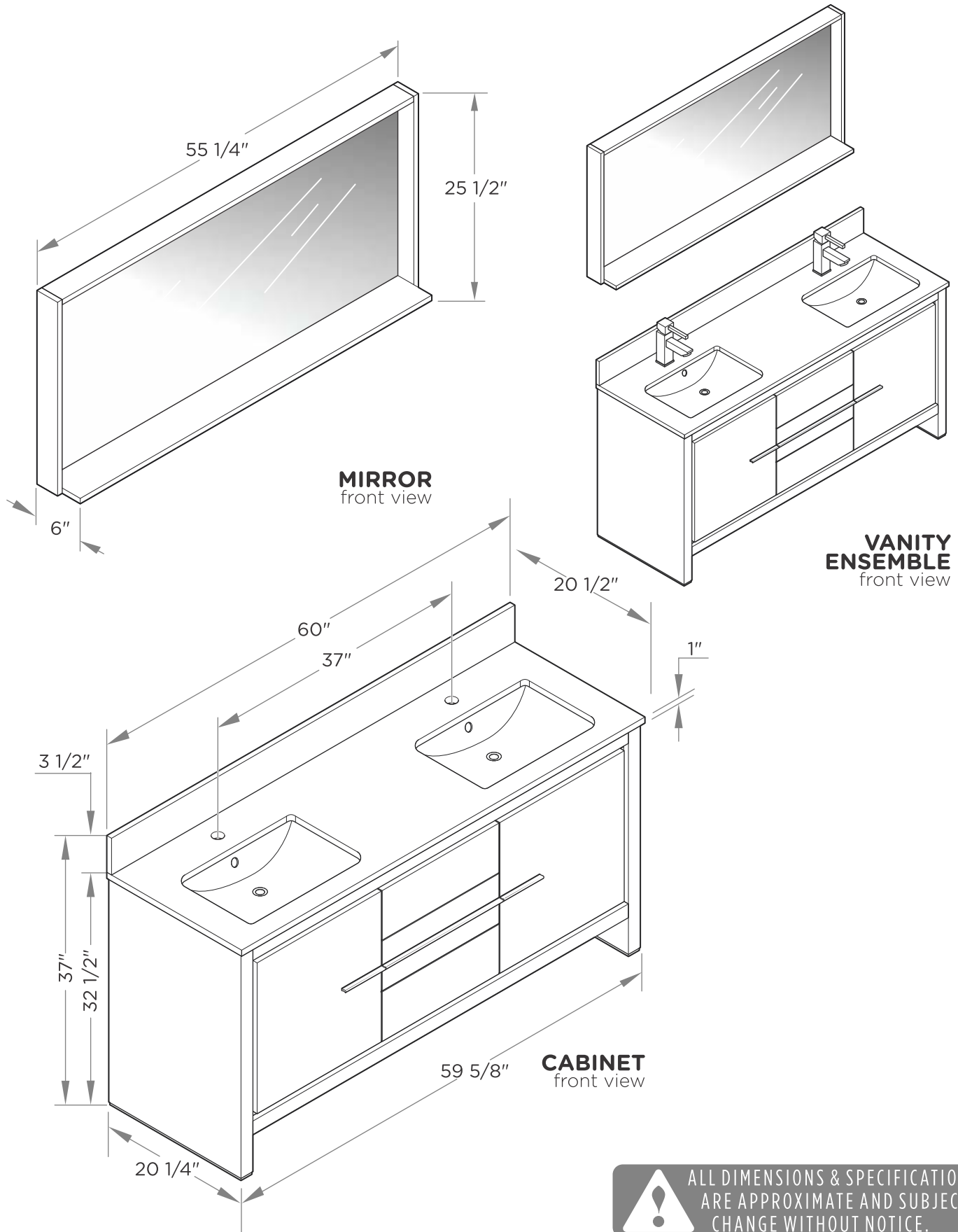


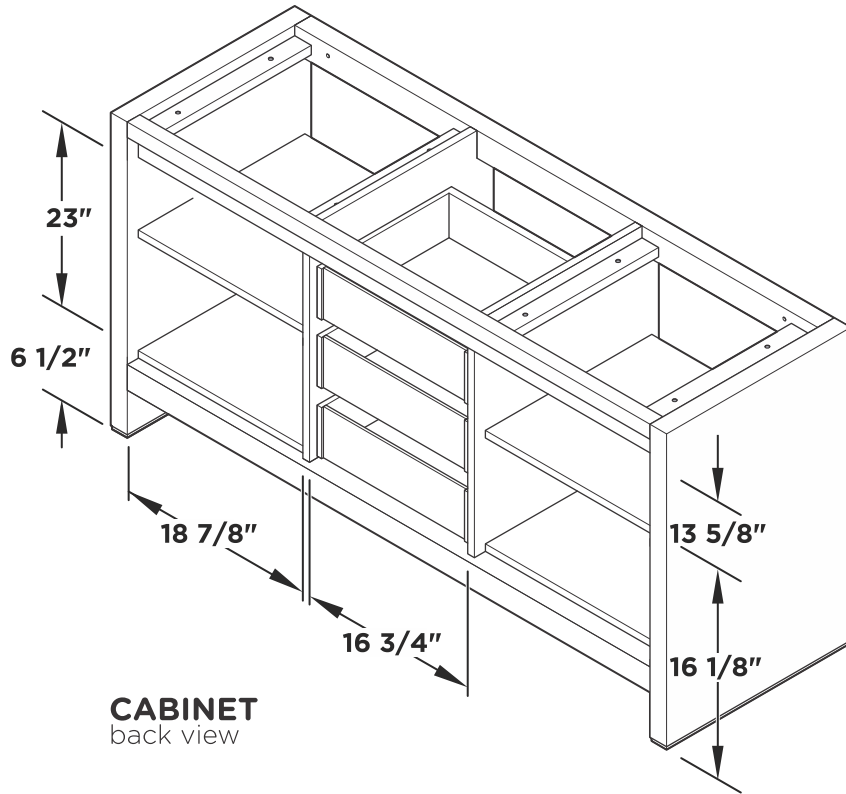
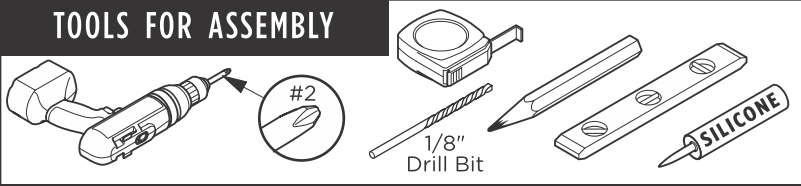
FVN8119
ALLIER
INSTALLATION GUIDE

kitchensource.com
 1.800.667.8721

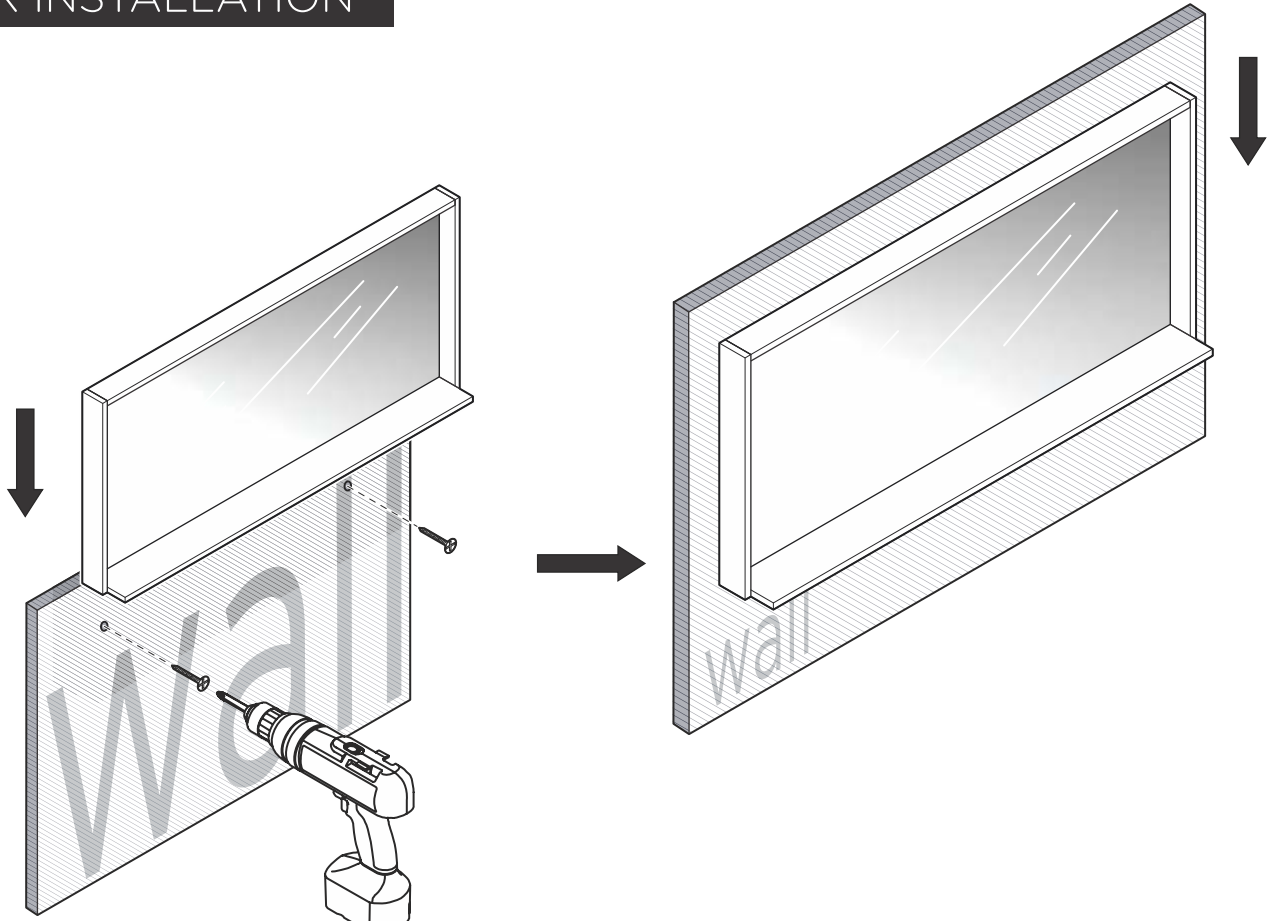


 ALL DIMENSIONS & SPECIFICATIONS ARE APPROXIMATE AND SUBJECT TO CHANGE WITHOUT NOTICE.

TOOLS FOR ASSEMBLY

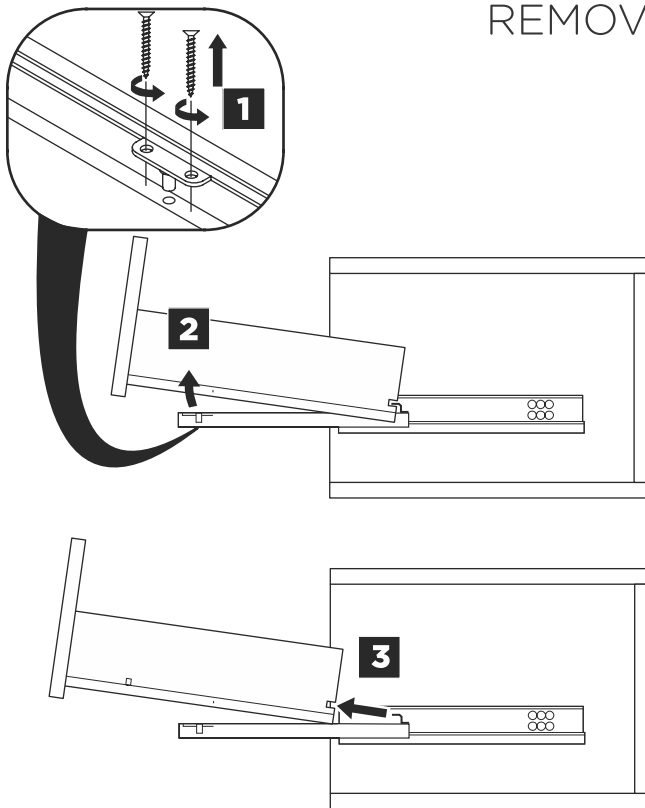


MIRROR INSTALLATION

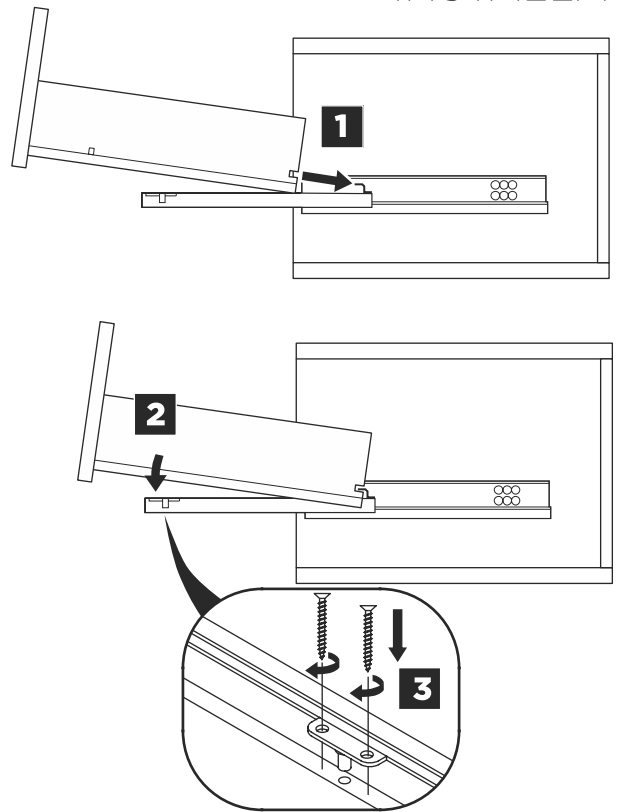


DRAWER REMOVAL & INSTALLATION

REMOVAL



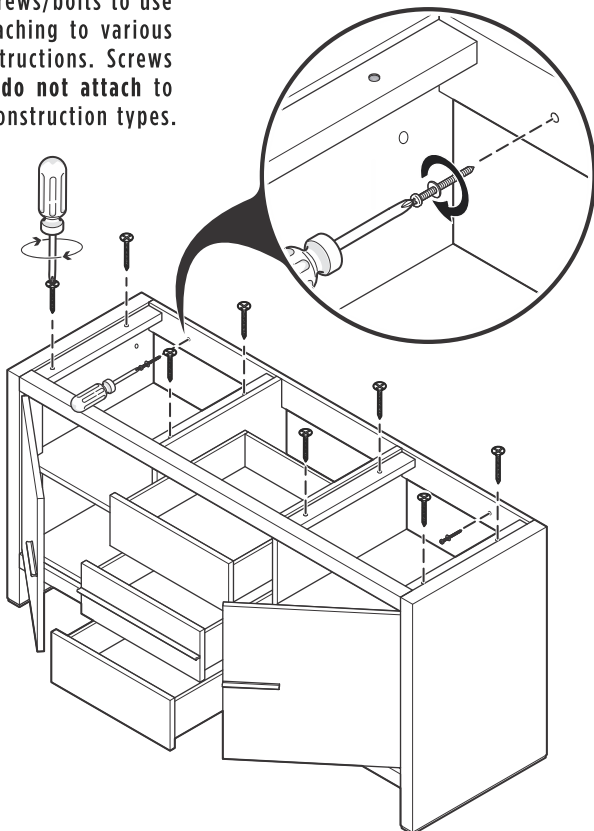
INSTALLATION



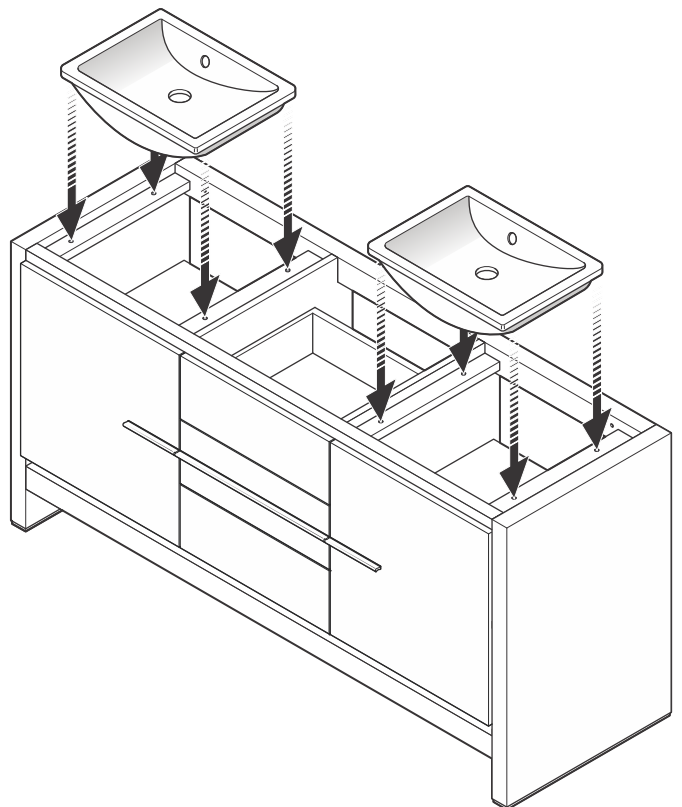
1. Attach Screws

IMPORTANT:

Consult an expert for the proper screws/bolts to use when attaching to various wall constructions. Screws provided do not attach to all wall construction types.

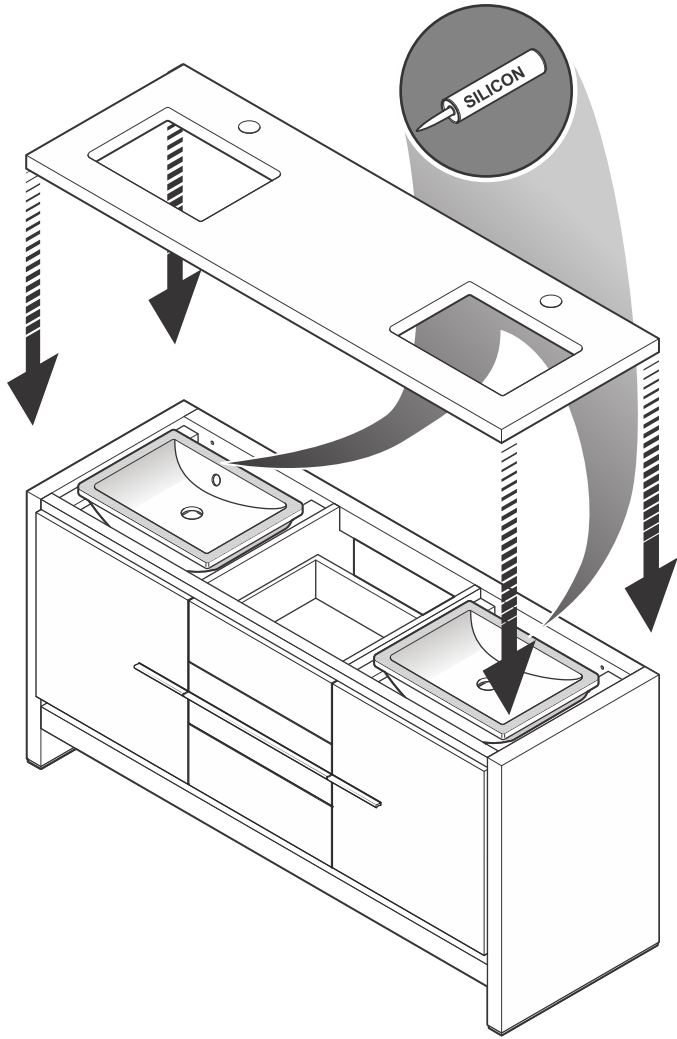


2. Install Sinks



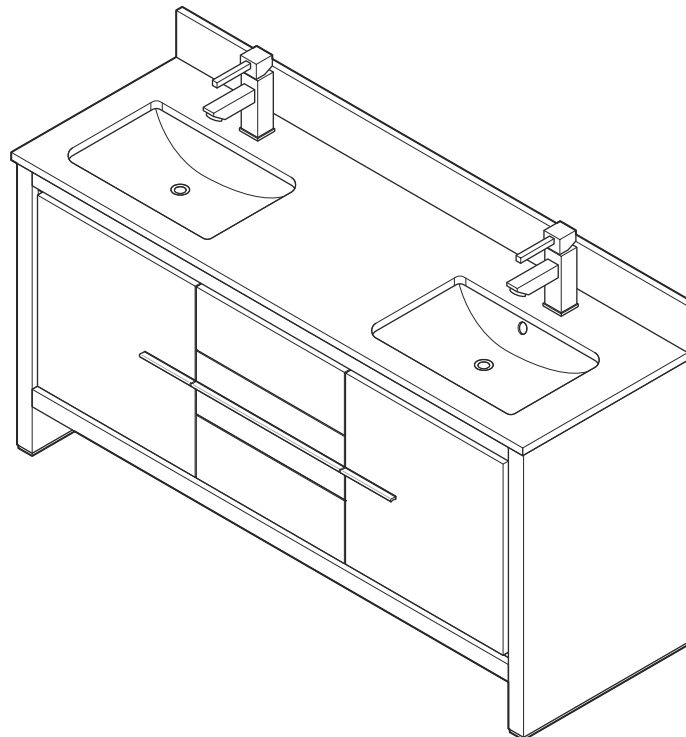
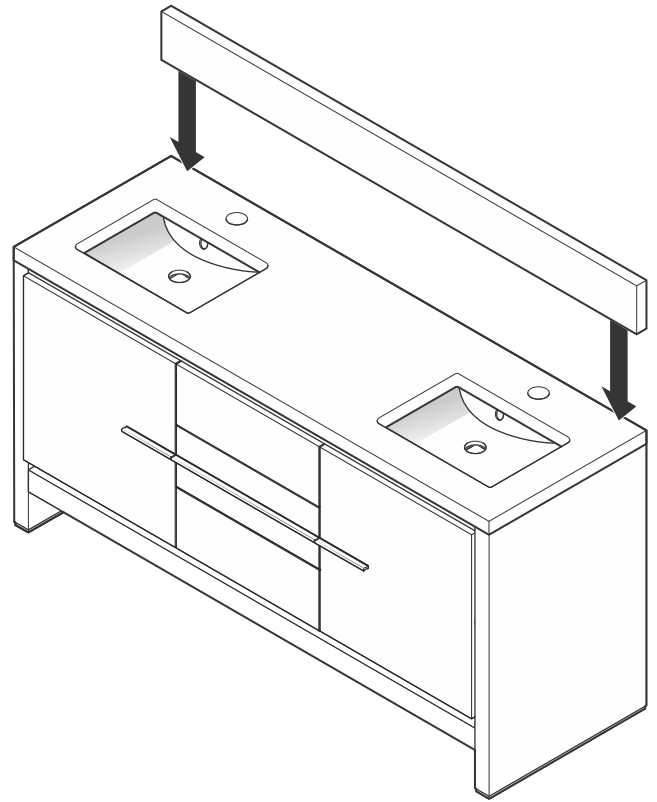
3.

Install Countertop



4.

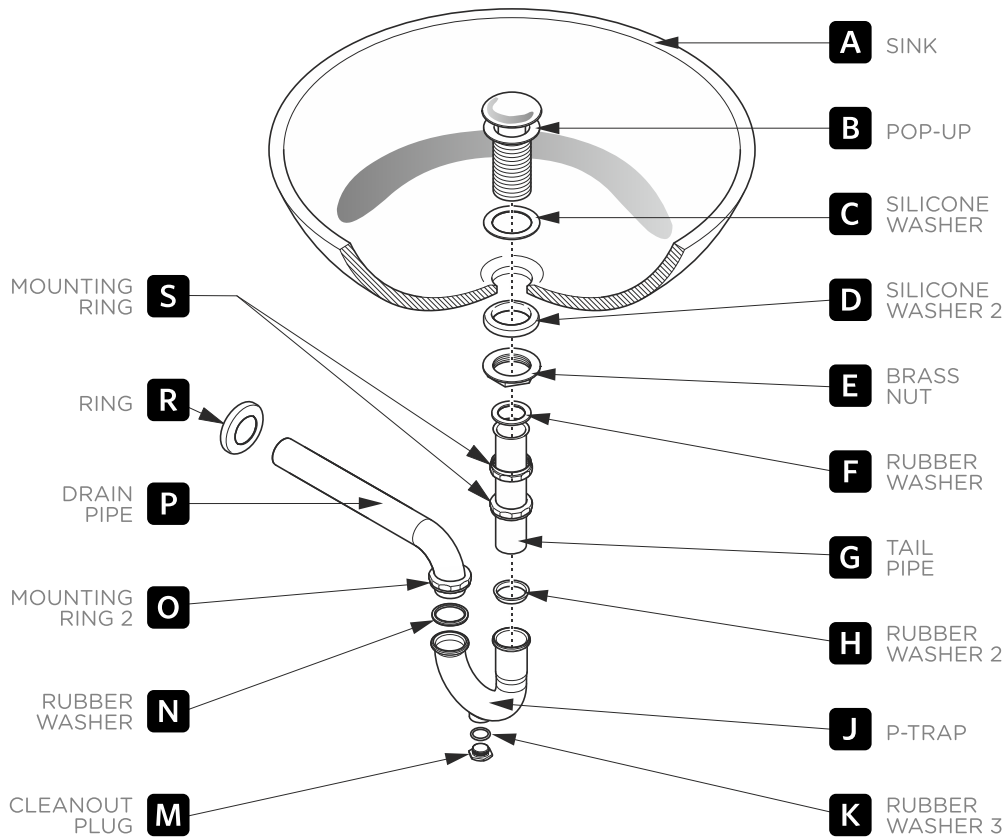
Install Backsplash



P-TRAP & POP-UP

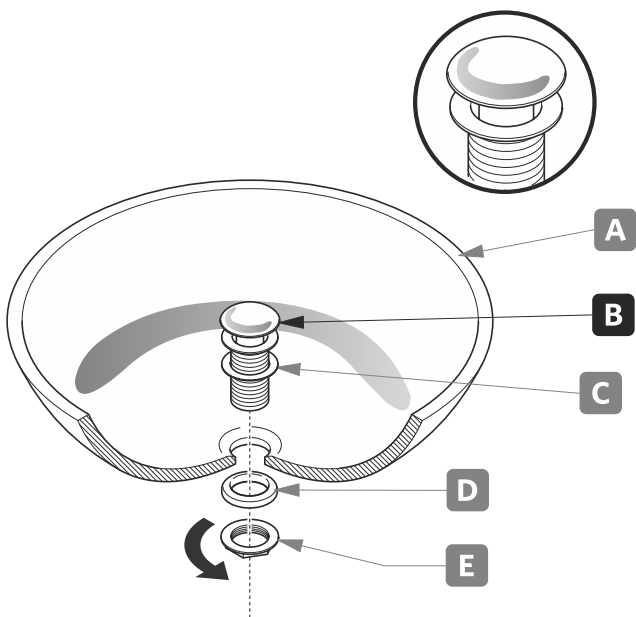
INSTALLATION INSTRUCTIONS

YOUR ITEM MAY APPEAR SLIGHTLY DIFFERENT FROM THE ILLUSTRATION.



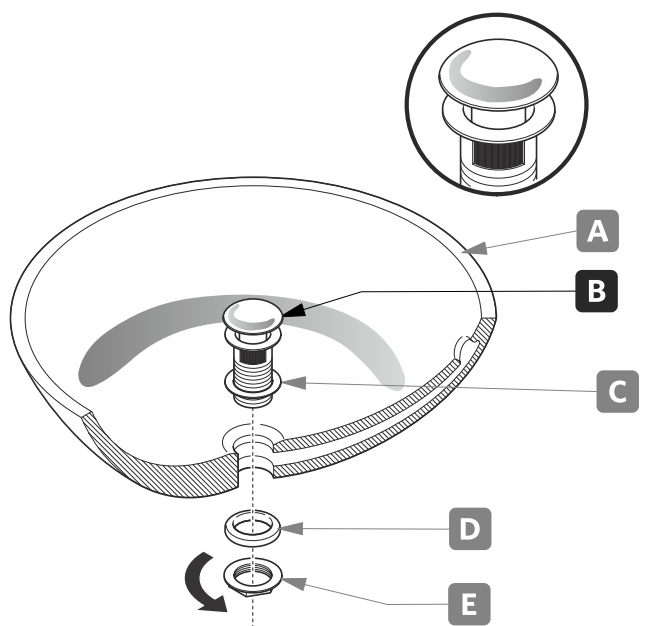
POP-UP INSTALLATION

FOR SINKS WITHOUT OVERFLOW



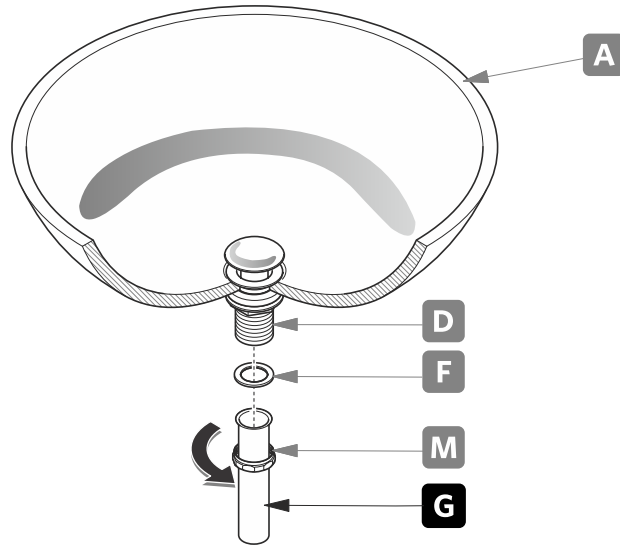
OR

FOR SINKS WITH OVERFLOW



P-TRAP INSTALLATION

1. Install tail pipe (**G**).



2. Install P-trap (**J**).

