



FVN8125HA ALLIER

Rio

INSTALLATION GUIDE

CONTENTS:

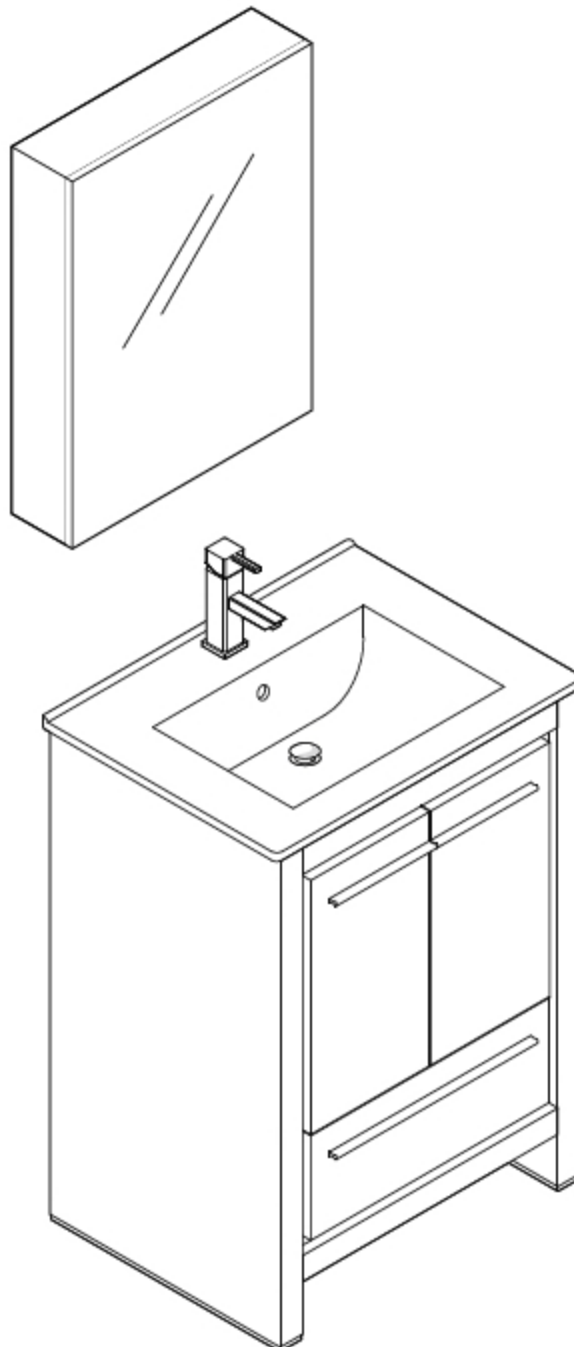
Cabinet.....	(FCB8125HA).....	PAGE 4
Sink.....	(FVS8125WH).....	PAGE 4
Medicine Cabinet.....	(FMC8058).....	PAGE 3



FVN8125HA
ALLIER *Rio*
INSTALLATION GUIDE

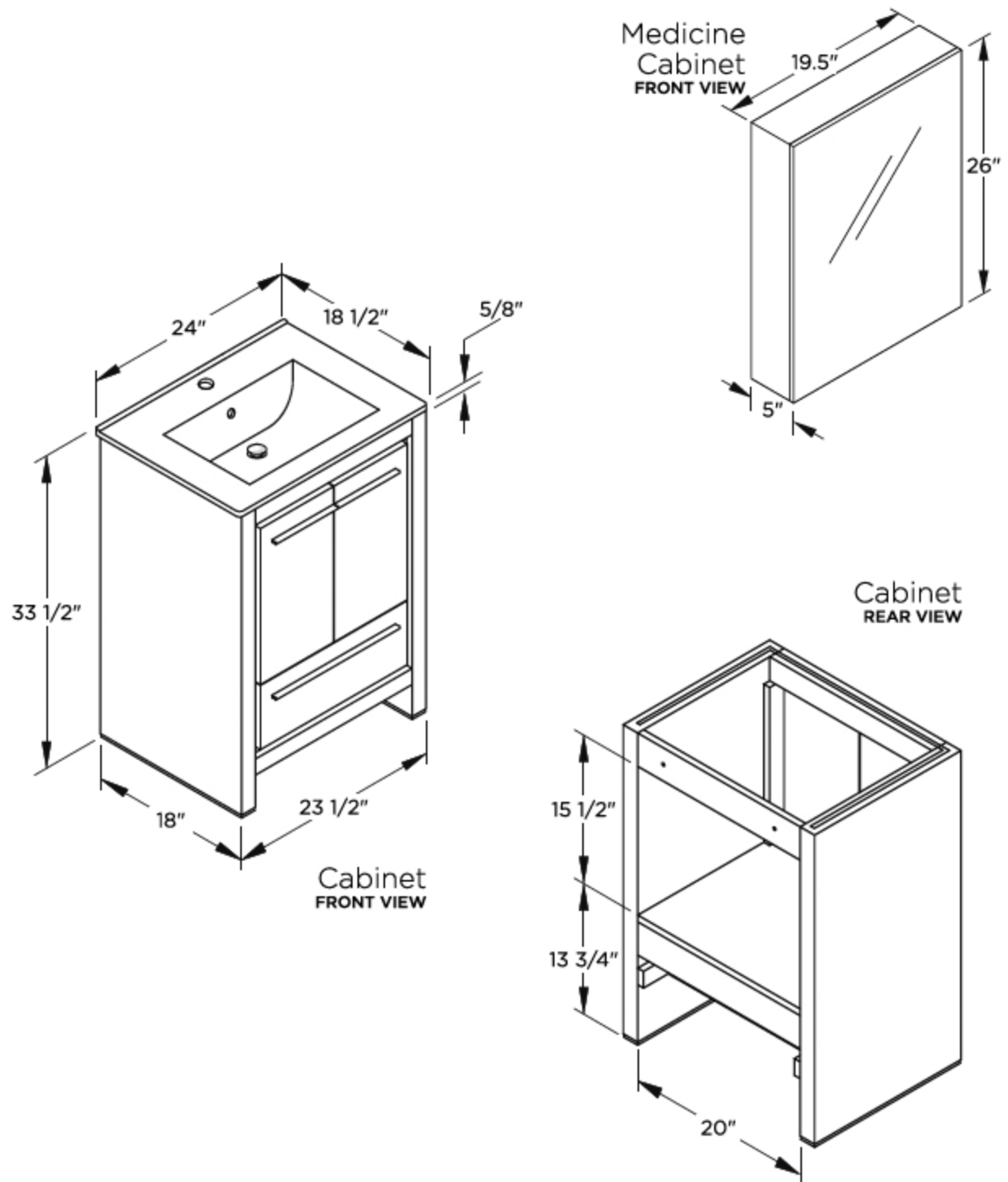
kitchensource.com
1.800.667.8721


FRESCA®





DIMENSIONS

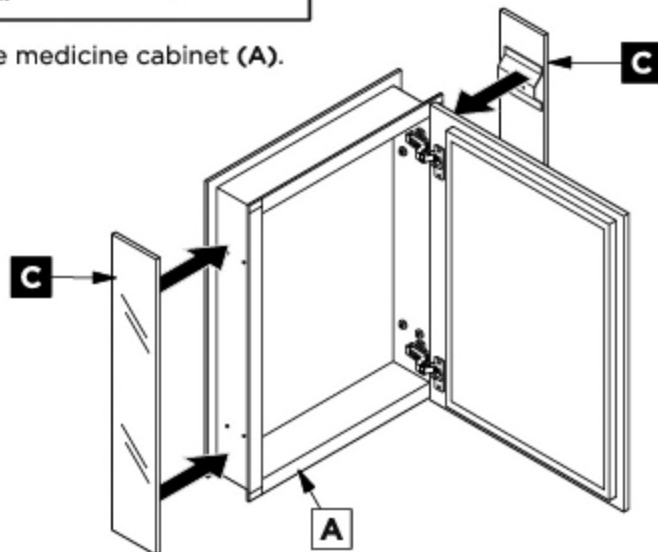


NOTE: ALL DIMENSIONS & SPECIFICATIONS ARE APPROXIMATE AND SUBJECT TO CHANGE WITHOUT NOTICE.

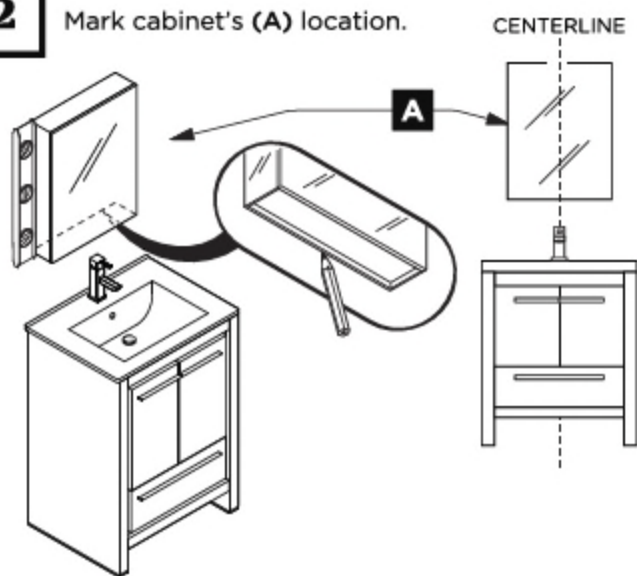




1 Attach side mirrors (C) to the medicine cabinet (A).

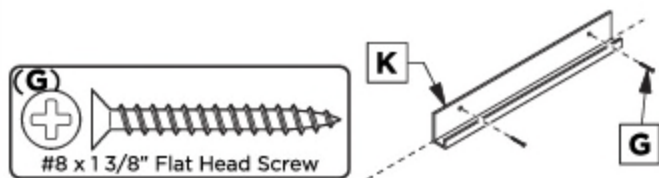


2 Mark cabinet's (A) location.

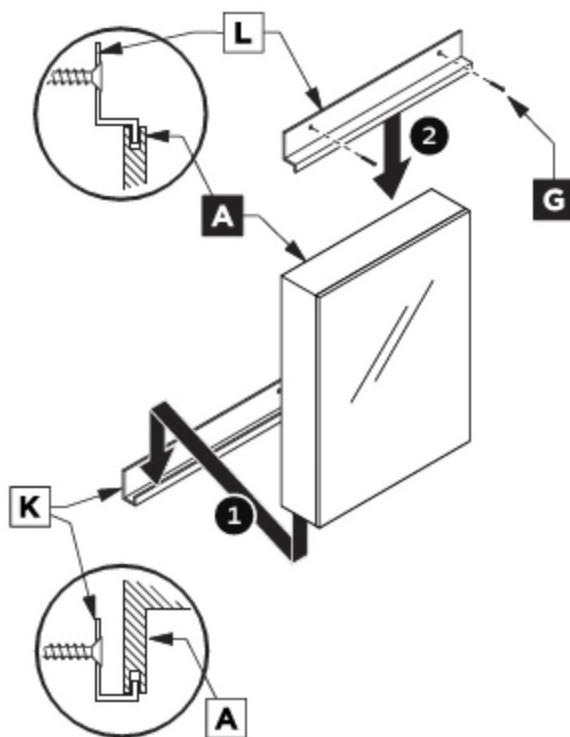


3 Install a bottom bracket (K).

IMPORTANT: Consult an expert for the proper screws/bolts to use when attaching to various constructions. Screws provided do not attach to all wall construction types. Anchors are not required if brackets are installed in stud.



4 * Place cabinet (A) on the bottom bracket (K) and secure it with a top bracket (L).

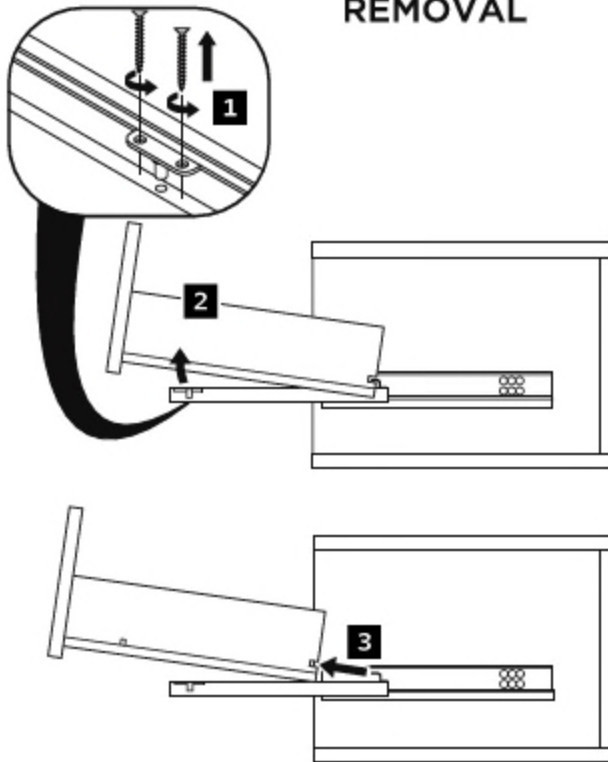


* This step requires assistance to hold cabinet in place until top bracket is securely attached.

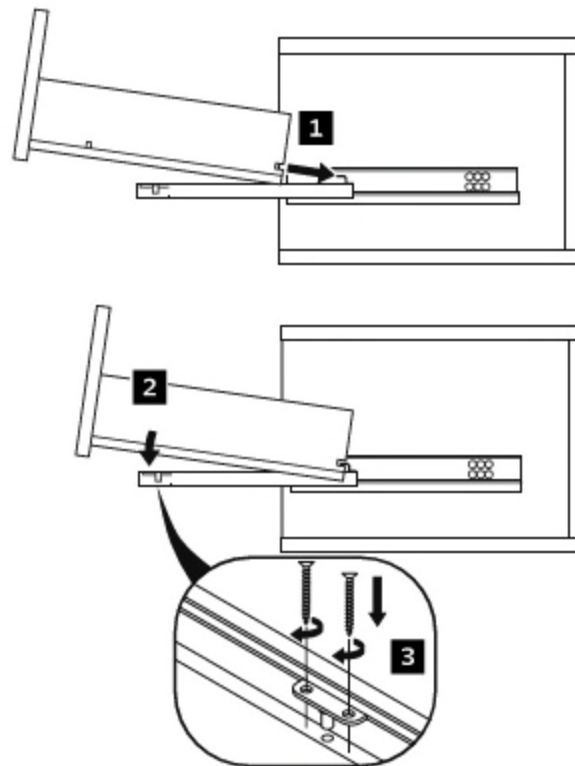
kitchensource.com
1.800.667.8721

DRAWER REMOVAL & INSTALLATION

REMOVAL

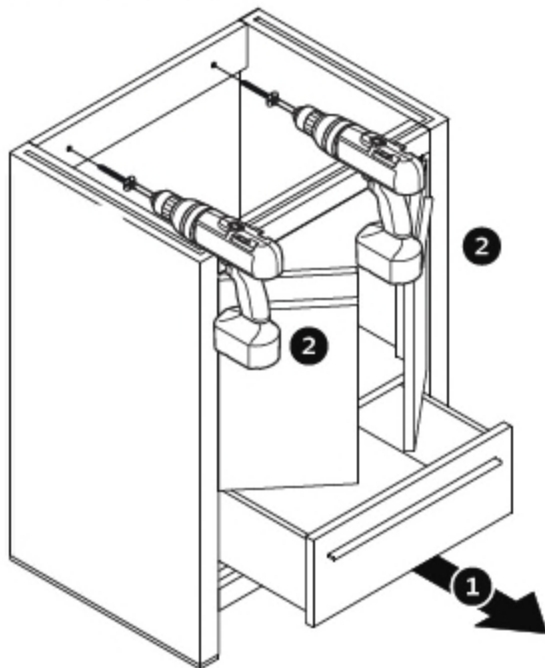


INSTALLATION



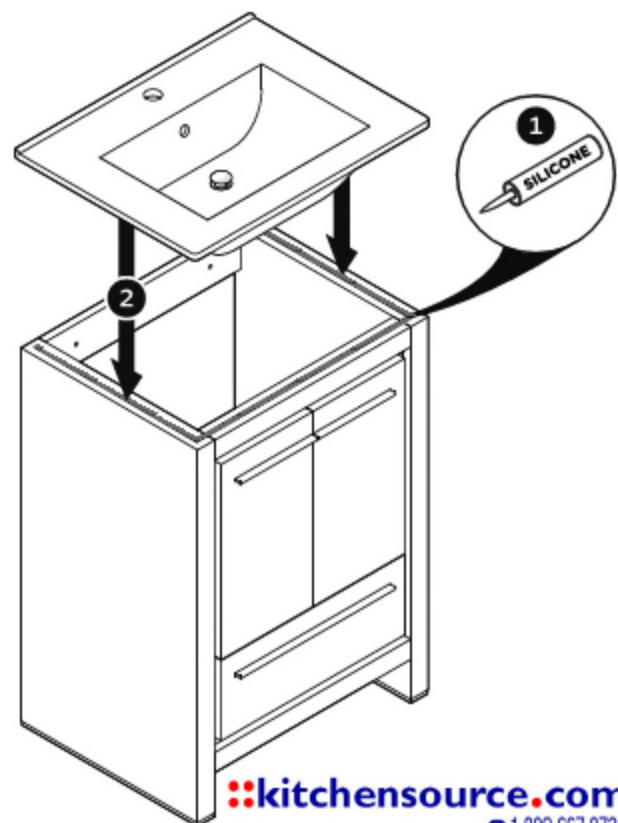
CABINET/SINK INSTALLATION

- 1** 1. Remove drawer and open the door for the ease of access. 2. Attach cabinet to the wall using level and drill.



IMPORTANT: Consult an expert for the proper screws/bolts to use when attaching to various constructions. Screws provided do not attach to all wall construction types. Anchors are not required if brackets are installed in stud.

- 2** 2. Apply a bead of silicone on the top of the cabinet and place sink on the cabinet.



kitchensource.com
1.800.667.8721



FVN8125HA

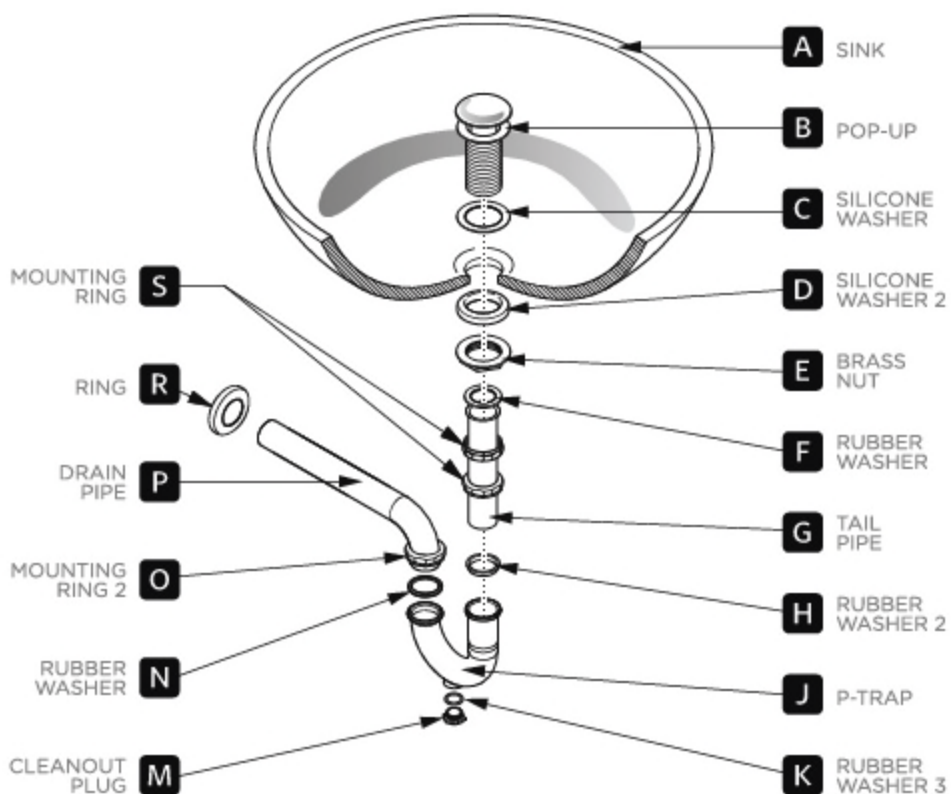
ALLIER RIO

INSTALLATION GUIDE

PAGE 4

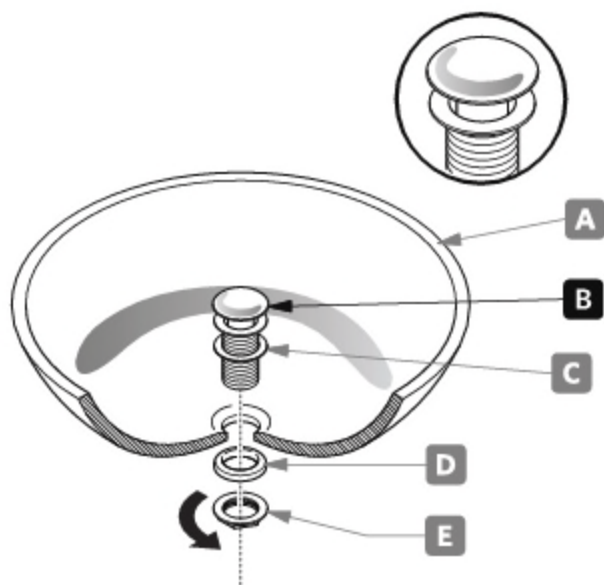
P-TRAP & POP-UP INSTALLATION INSTRUCTIONS

Your item may appear slightly different from the illustration.



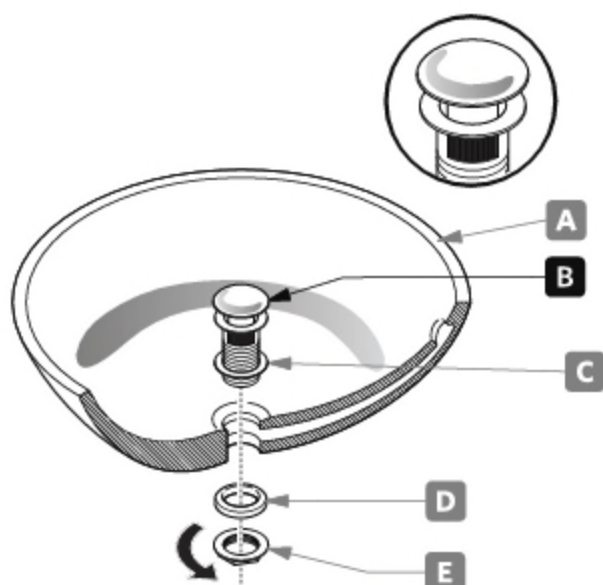
POP-UP INSTALLATION INSTRUCTIONS

FOR SINKS WITHOUT OVERFLOW



OR

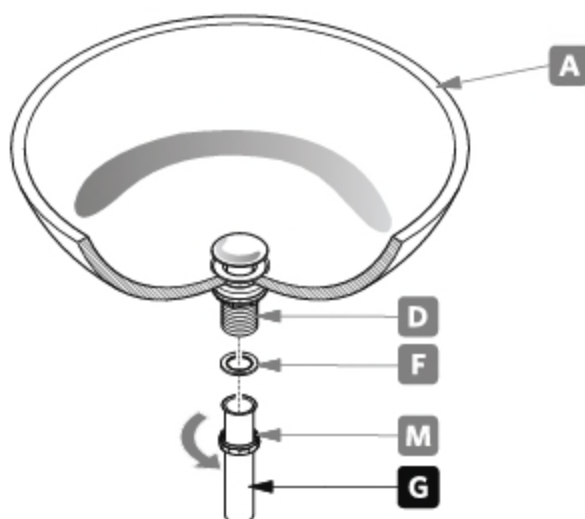
FOR SINKS WITH OVERFLOW



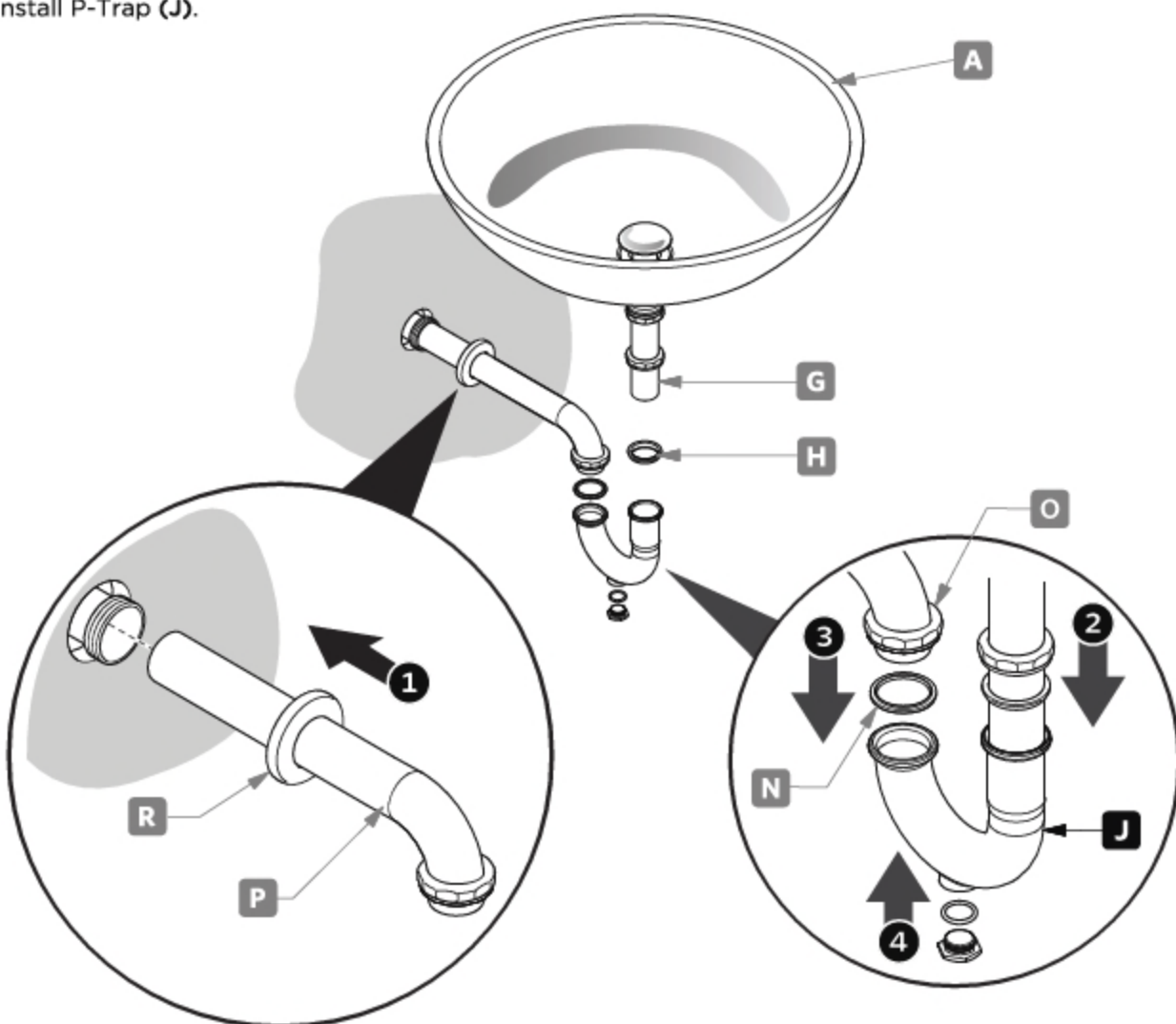
kitchensource.com
1.800.667.8721

P-TRAP INSTALLATION

1 Install Tail Pipe (G).



2 Install P-Trap (J).



kitchensource.com
1.800.667.8721