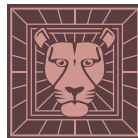


26"

Item Number:

150-V26-ANW

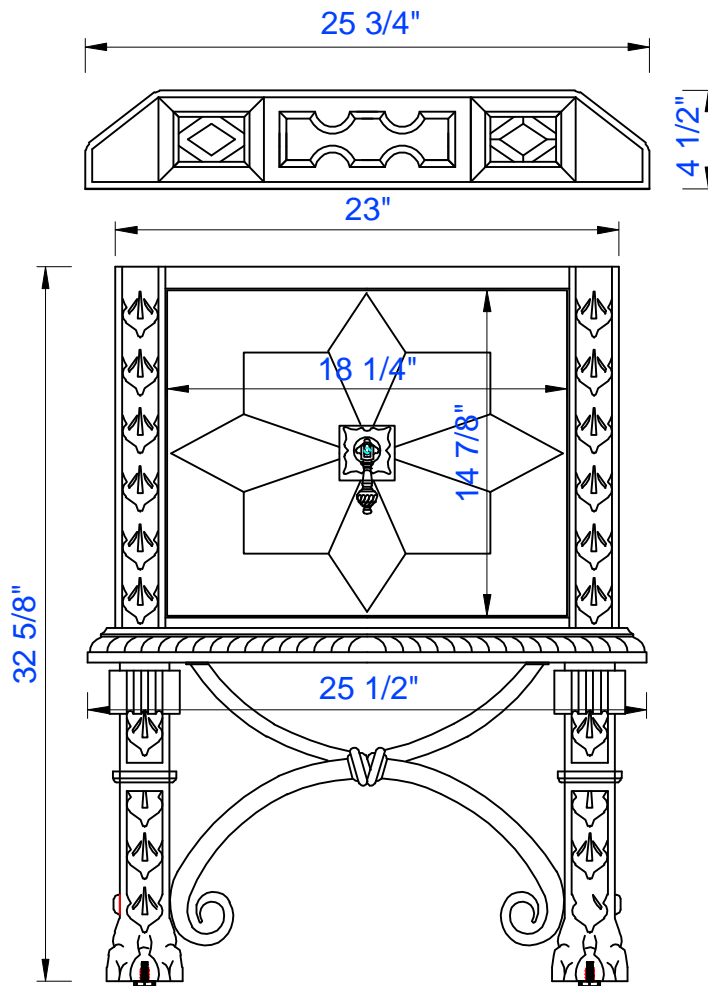
JAMES MARTIN



VANITIES™

Balmoral 26" Cabinet

Diagrams with Dimensions
page 01 of 03



NOTE ONE: Countertops are not shown in these diagrams. (Cabinet Only)

NOTE TWO: Wood Backsplash (Shown) is designed for the molding detail to align with sinks in James Martin's Optional Countertops.

Customers' own countertops and sinks may align differently.

kitchensource.com visit our website for Countertop Diagrams: www.jamesmartinvanities.com

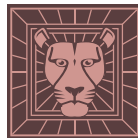
1.800.667.8721

Version: 201906

26"

Item Number:
150-V26-ANW

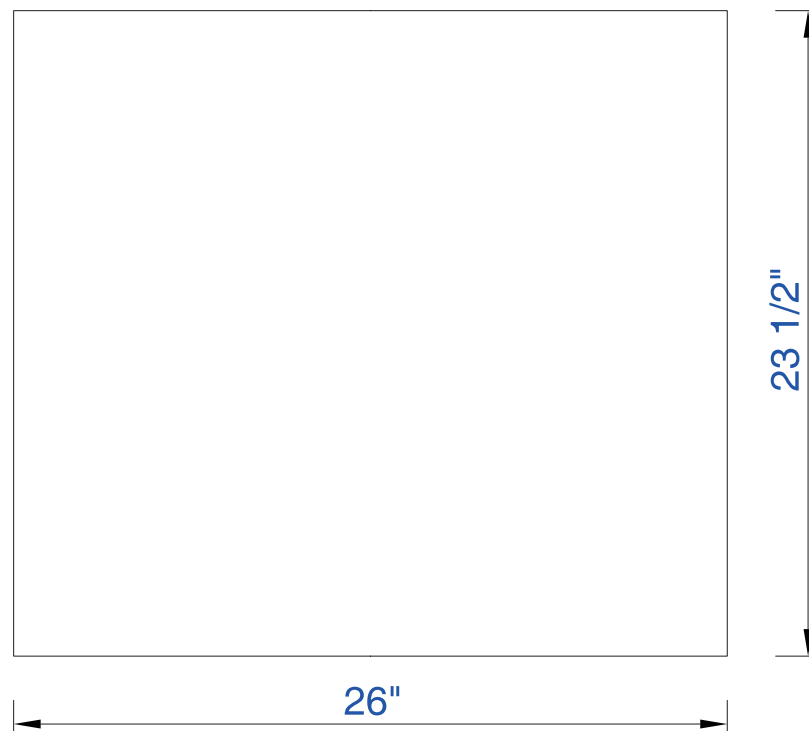
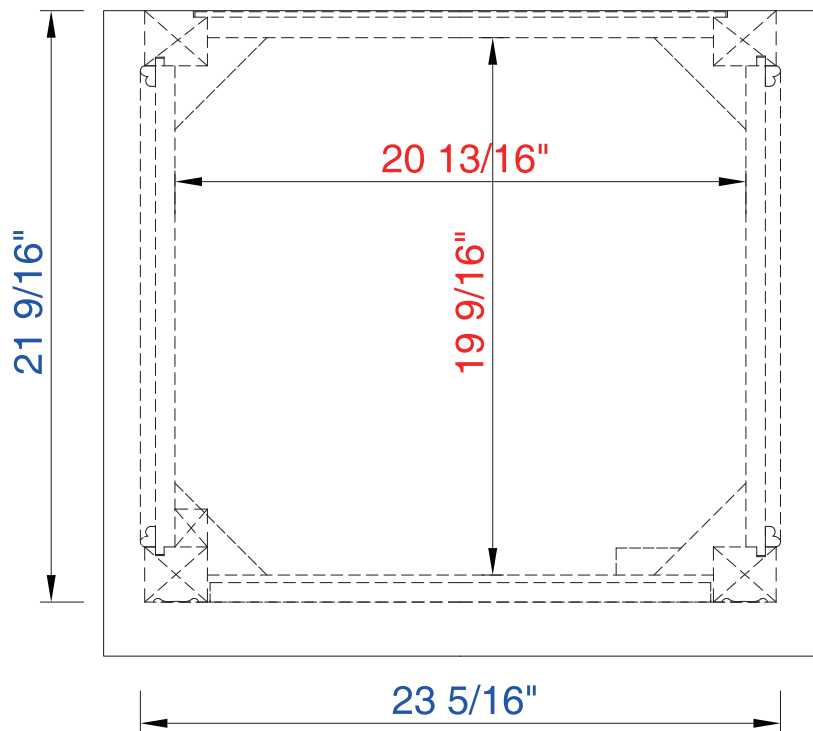
JAMES MARTIN



VANITIES™

Balmoral 26" Cabinet

Diagrams with Dimensions
page 02 of 03



NOTE ONE: Countertops are not shown in these diagrams. (Cabinet Only)

26"

Item Number:

150-V26-ANW

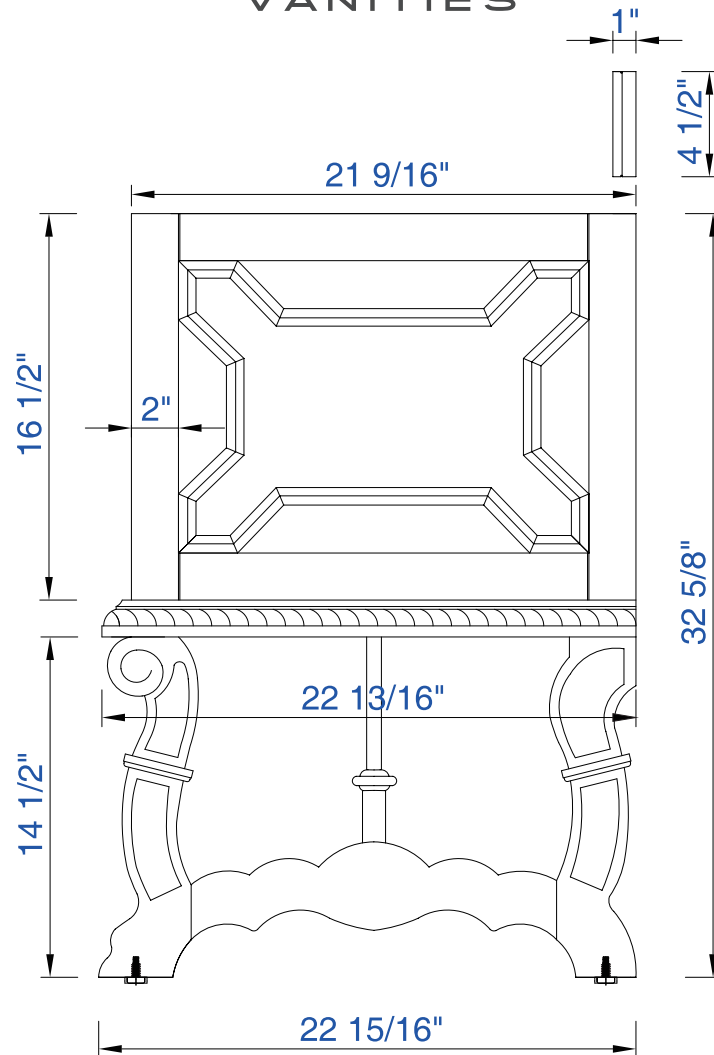
JAMES MARTIN



VANITIES™

Balmoral 26" Cabinet

Diagrams with Dimensions
page 03 of 03



NOTE ONE: Countertops are not shown in these diagrams. (Cabinet Only)

NOTE TWO: Wood Backsplash (Shown) is designed for the molding detail to align with sinks in James Martin's Optional Countertops.


Customers' own countertops and sinks may align differently.

Please consult our website for Countertop Diagrams: www.jamesmartinvanities.com

660mm

Item Number:
150-V26-ANW

JAMES MARTIN



VANITIES™

Balmoral 660mm Cabinet

Diagrams with Dimensions
page 01 of 03

The diagram shows two views of the cabinet. The top view shows a width of 654mm and a depth of 114mm. The front view shows a total height of 828mm, a top width of 584mm, a sink opening width of 464mm, a sink opening height of 378mm, and a base width of 648mm. The cabinet features a decorative top with a central panel and side panels, and a base with two ornate, curved legs.

NOTE ONE: Countertops are not shown in these diagrams. (Cabinet Only)

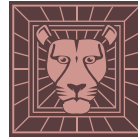
NOTE TWO: Wood Backsplash (Shown) is designed for the molding detail to align with sinks in James Martin's Optional Countertops. Customers' own countertops and sinks may align differently.

Please consult our website for Countertop Diagrams: www.jamesmartinvanities.com

Version: 201906

Item Number:
150-V26-ANW

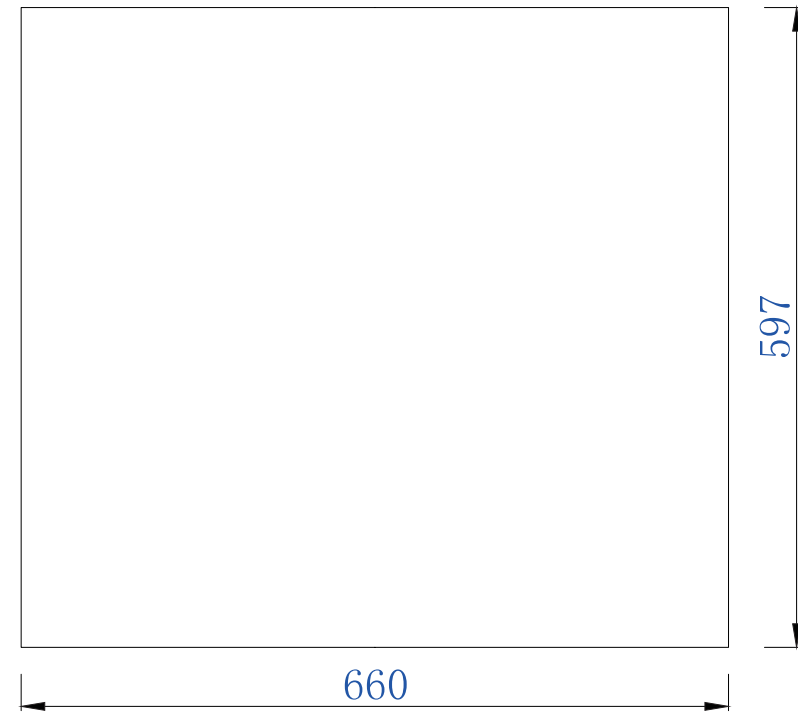
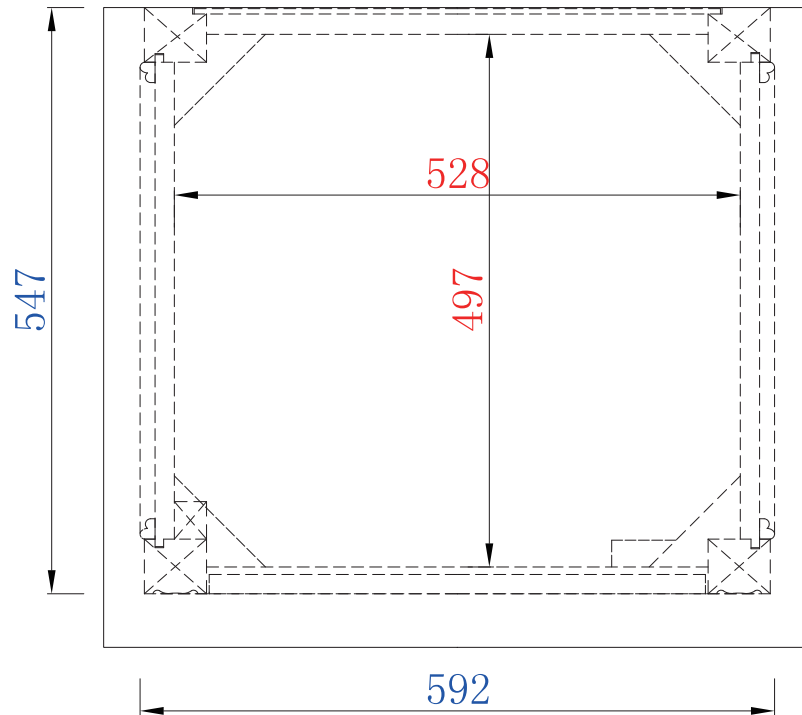
JAMES MARTIN



VANITIES™

Balmoral 660mm Cabinet

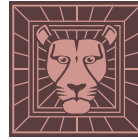
Diagrams with Dimensions
page 02 of 03



NOTE ONE: Countertops are not shown in these diagrams. (Cabinet Only)

Item Number:
150-V26-ANW

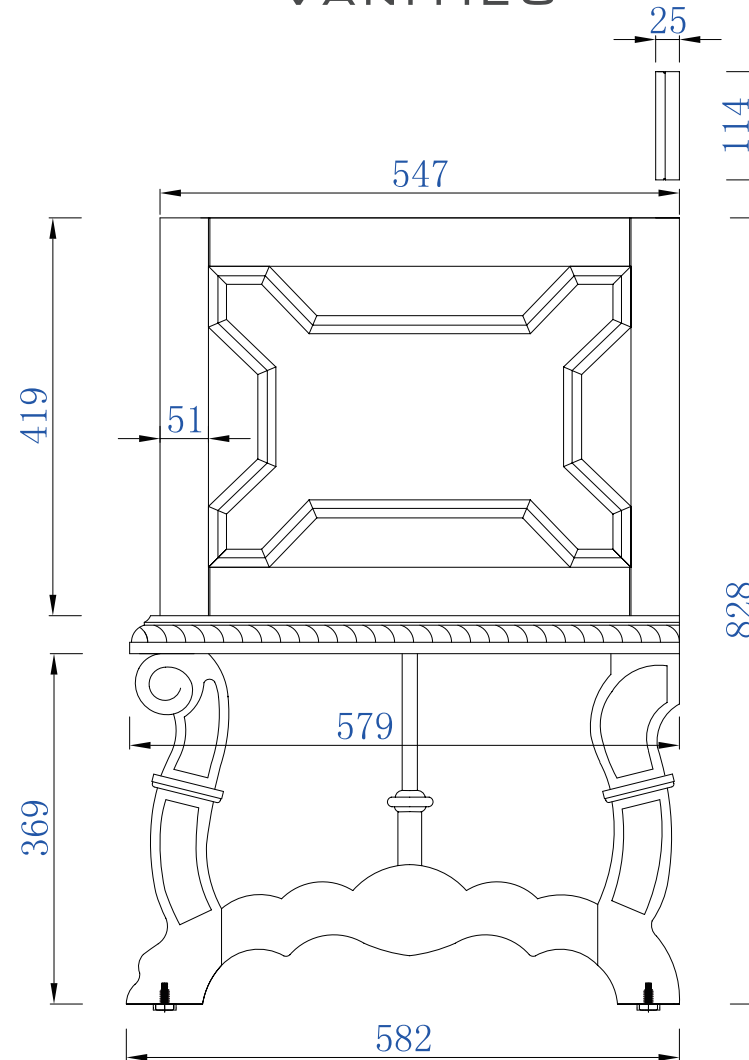
JAMES MARTIN



VANITIES™

Balmoral 660mm Cabinet

Diagrams with Dimensions
page 03 of 03



NOTE ONE: Countertops are not shown in these diagrams. (Cabinet Only)

NOTE TWO: Wood Backsplash (Shown) is designed for the molding detail to align with sinks in James Martin's Optional Countertops. Customers' own countertops and sinks may align differently.

Please consult our website for Countertop Diagrams: www.jamesmartinvanities.com