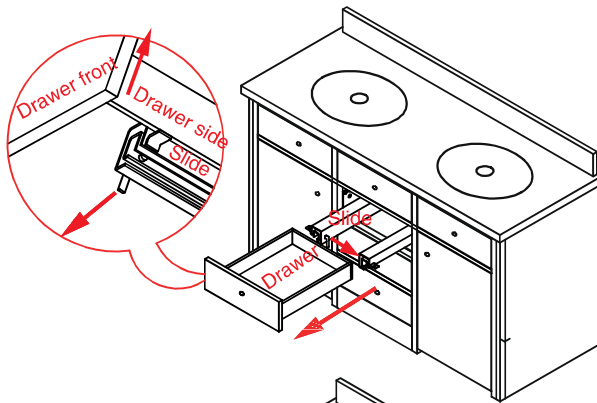
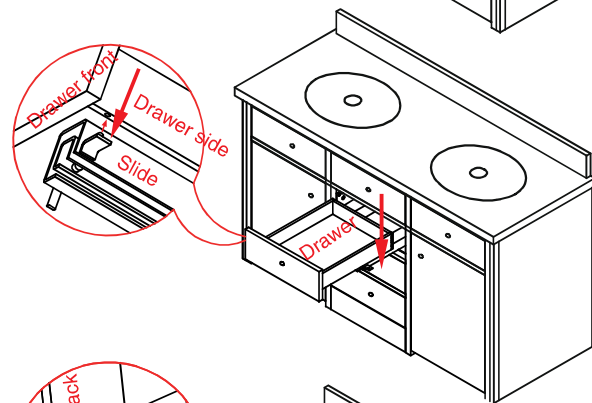




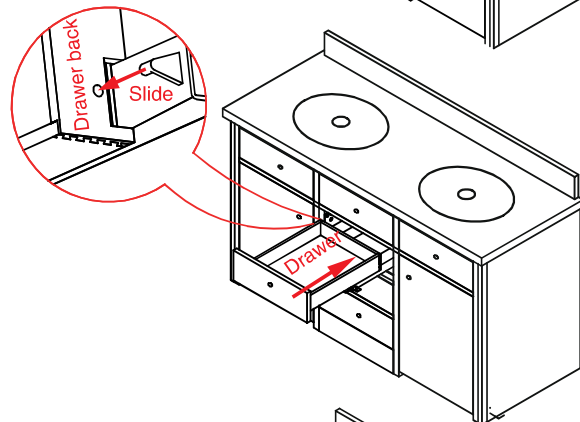
Drawer assembly and removal (with peg)



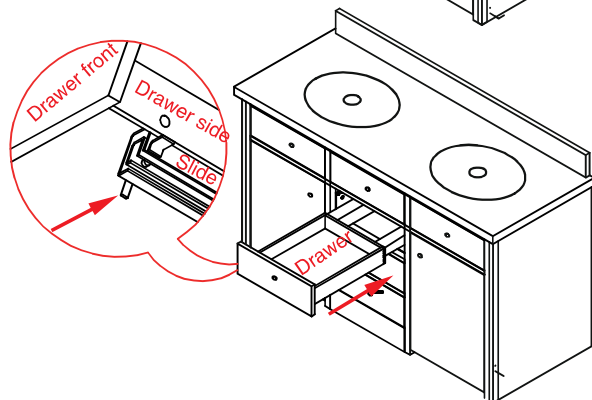
1. For removal, pull out the locking pin from the drawer side. Lift the drawer and pull it out from the cabinet.



2. For the assembly of drawer, pull out the drawer member of the slide from the cabinet, lay the drawer onto the slide.



3. Align drawer back board hole and slide the hook of slide end, push the hook will slide into the hole.



4. Press the locking pin into the drawer side hole to lock the position of the drawer.