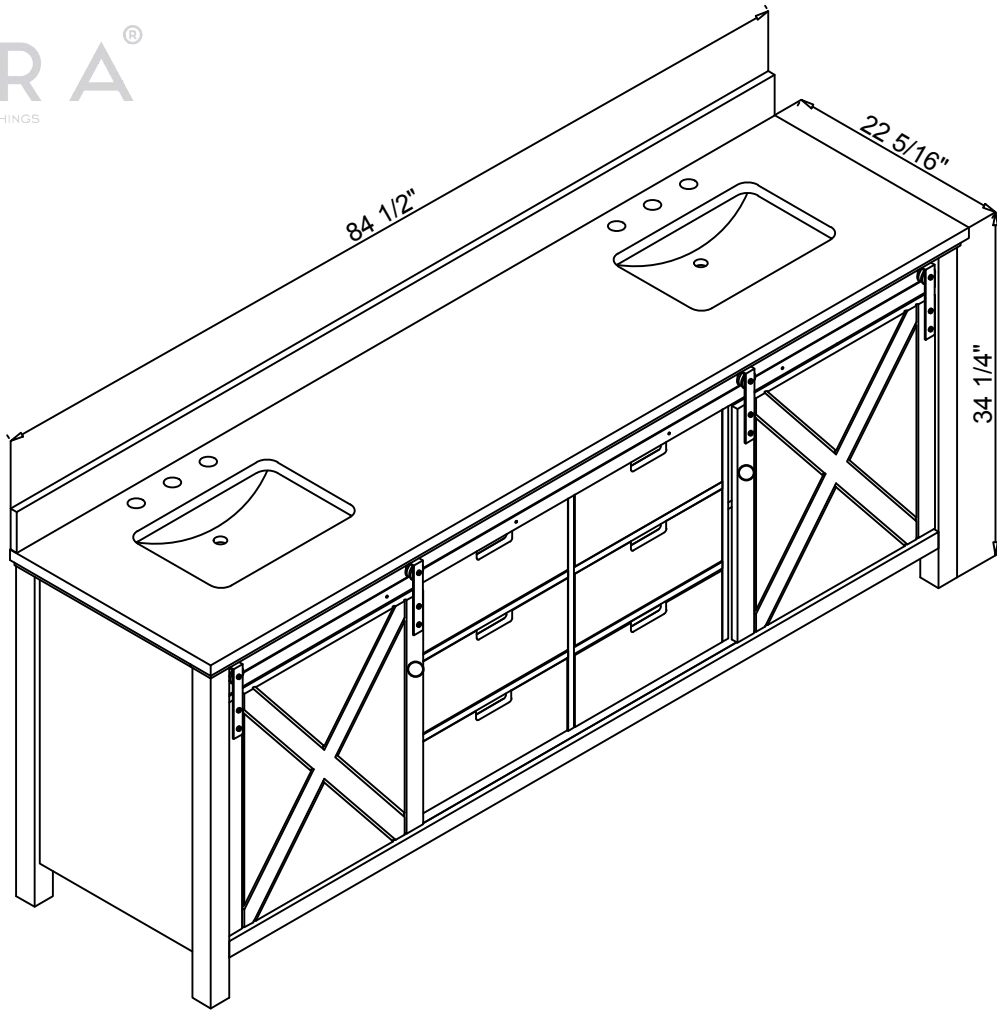
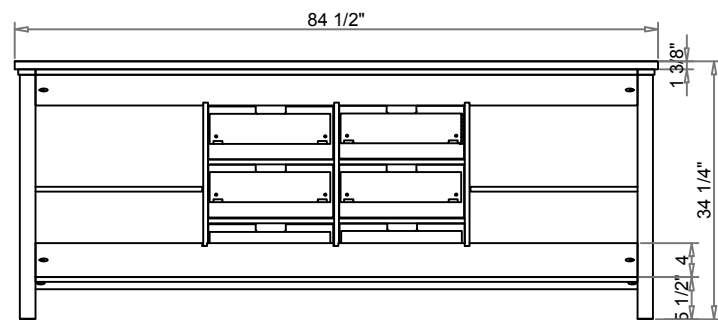
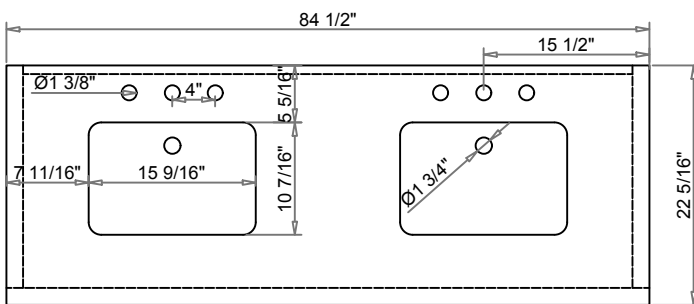




LEXORA<sup>®</sup>  
HOME DECOR & HOME FURNISHINGS

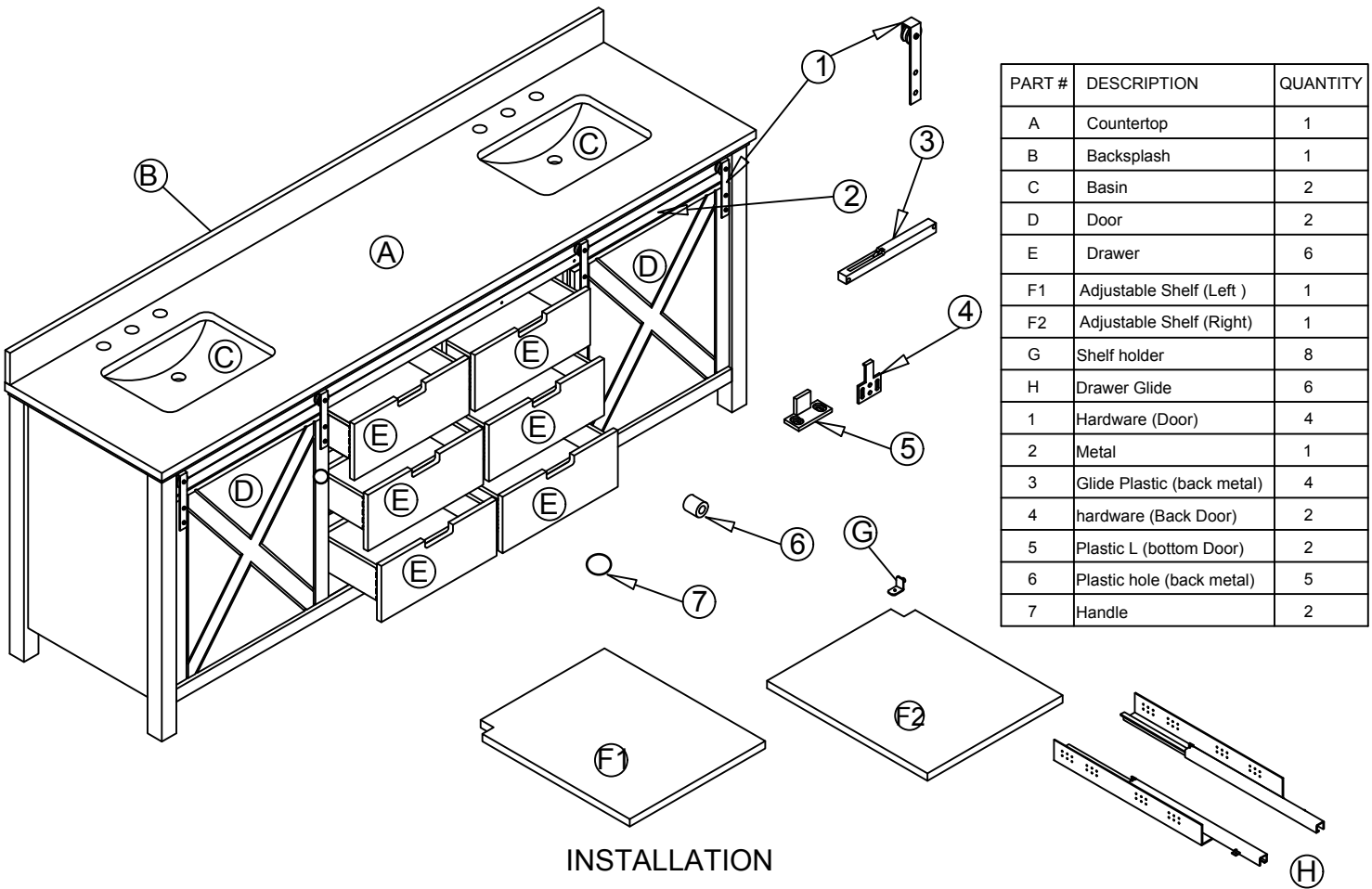


DIMENSIONS



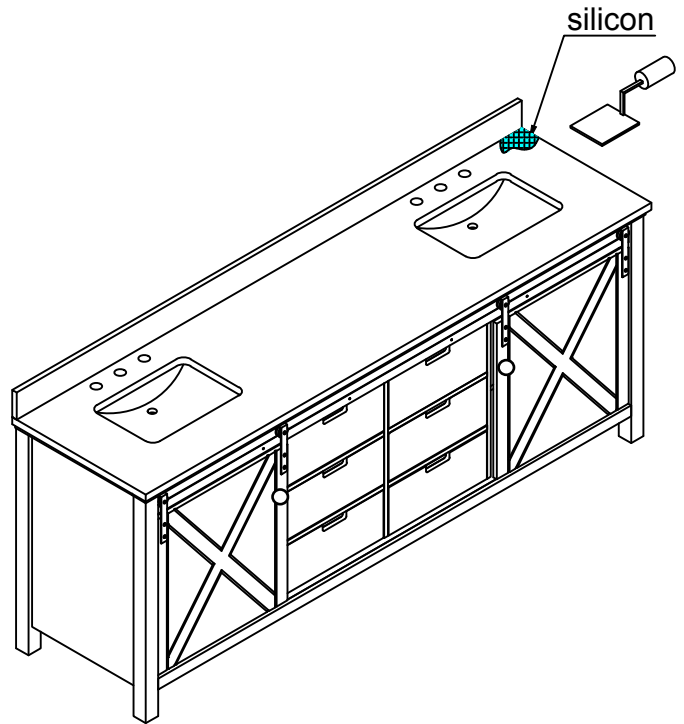
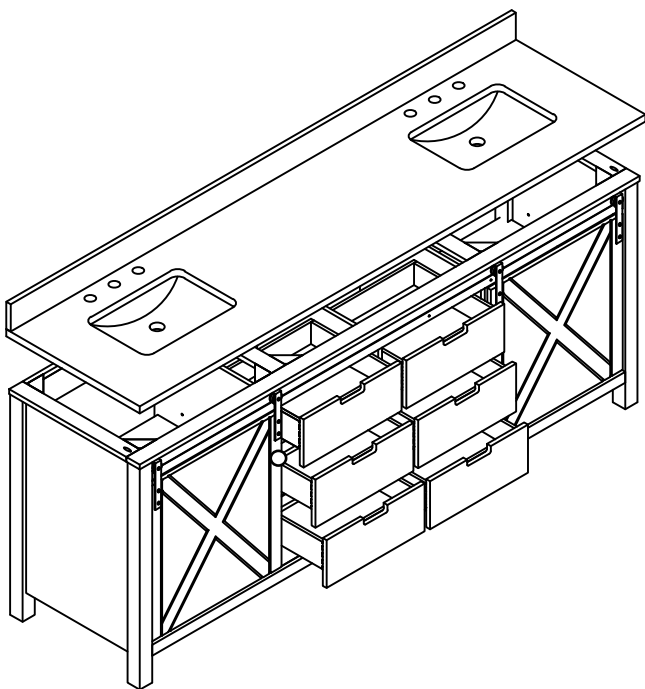
PART LIST

#1



INSTALLATION

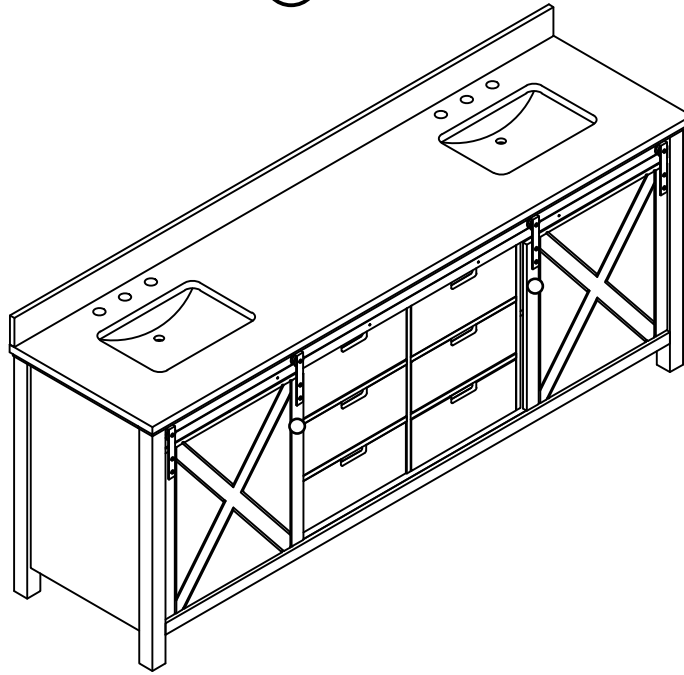
A B



INSTALLSTION

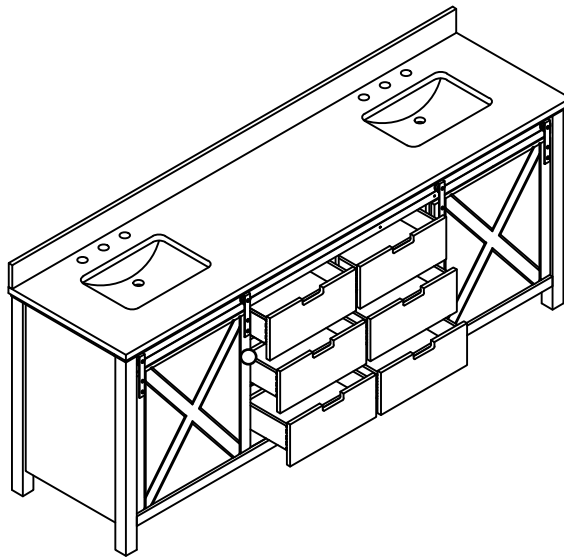
#1

C



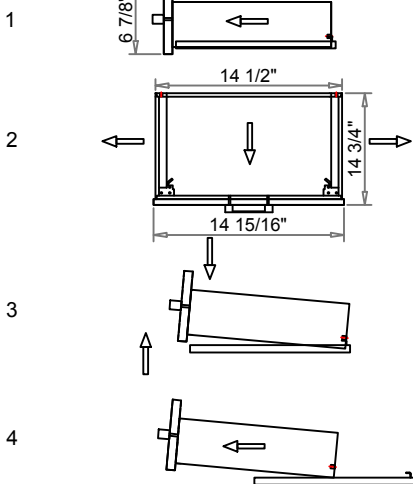
DRAWER

#2



REMOVE

INSTALL



B

C

