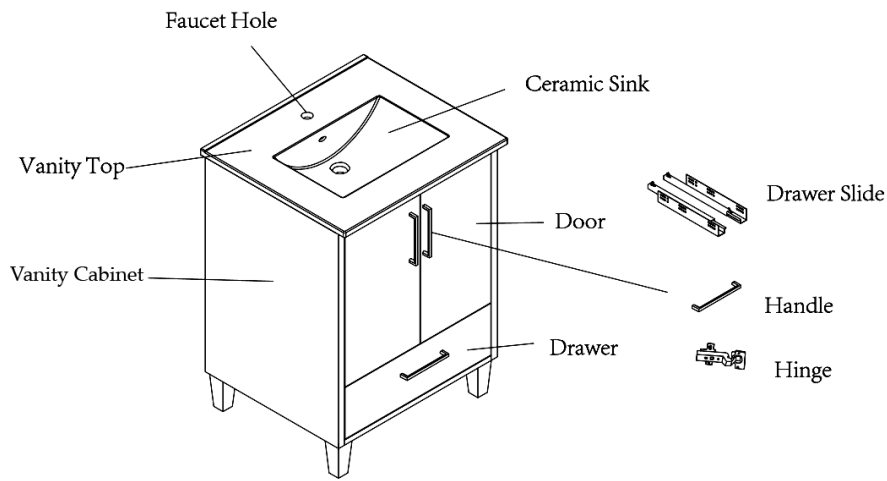
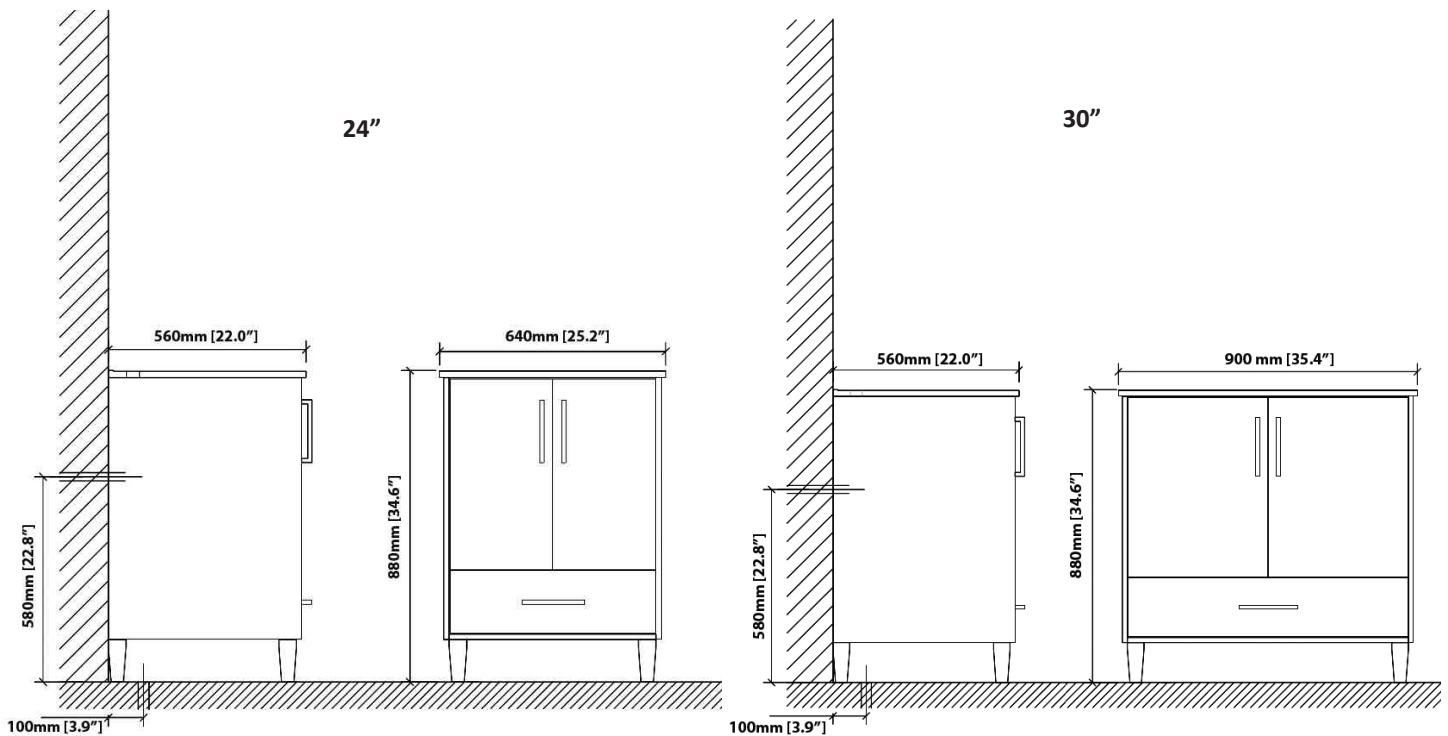


PARTS



Note: Faucet sold separately.
Actual product parts may look different.

DIMENSIONS



*Drawings are for reference only. Please refer to actual product for exact size, shape, color, and parts.

*Dawn reserves the right to make revisions in the design of faucets without notice for improvement of product performance and quality.

MATERIALS & TOOLS

Measuring Tape, Carpenter's Pencil, Phillip's Screwdriver, Level Tool, Hammer, Power Drill, Set Screw, Phillip's Screw, Fixing Bracket, Barrel Nut, Mating Screw

BEFORE YOU BEGIN

- **Comply with Plumbing Codes**

Before installing any Dawn product in your home, you should make sure that you are in compliance with all local plumbing codes.

- **Check Product Condition**

Before installation, please check the condition of the product and, if appropriate, its components. If there is any problem with the product and/or its components, please contact the store you purchased it from for a replacement. As soon as you have inspected your product, please return it to its original packaging until you are ready to install it.

- **Handle with Care**

To protect its finish and avoid damage before and after installation, please handle the product with care. For care and cleaning tips after installation, please refer to the Care and Cleaning Guide in this instruction guide.

INSTALLATION

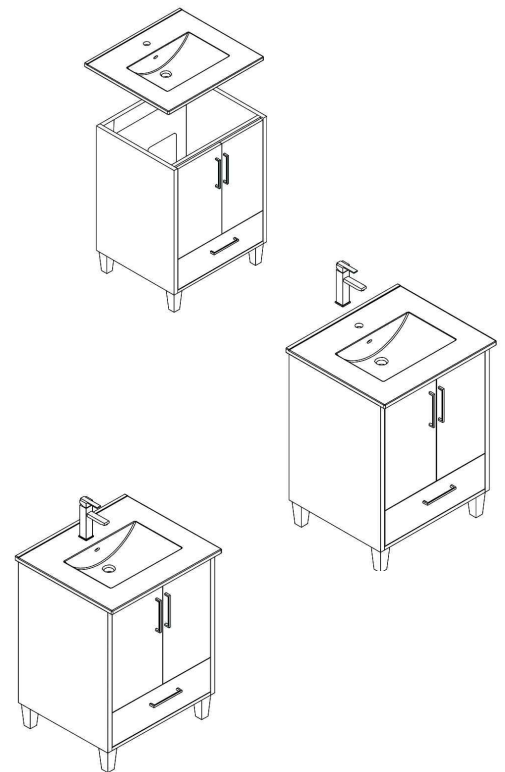
IMPORTANT: Recommended for professional installers only. The installer maintains responsibility for installing the product safely.

1. Install the Vanity

- Use a stud finder to locate and mark the wall studs.
- Remove the drawer(s) from the vanity cabinet. Lift and place the vanity cabinet in position against the finished wall. Make sure the top is level and the supply valves clear any drawers and/or shelves in the cabinet.
- Drill pilot holes through the vanity back and the finished wall. For holes not inline with studs, push or hammer in wall anchors that are made for your wall surface.
- Secure the cabinet to the finished wall with screws.

2. Install the Vanity Top

- Run a bead of silicone adhesive around the top of the vanity cabinet. Place the vanity top on top of the cabinet and press firmly in place. Let the silicone adhesive cure.
- Assemble the faucet and the sink drain to the vanity top.
- Connect the water supply lines and the drain.
- Reinstall the drawer(s).
- Apply a bead of caulk along the back edge against the wall. Clean up any excess. Allow 24 hours to dry.
- Turn on the water to test for leaks.



LEGAL DISCLAIMER:

- This instruction guide is done as a public service to customers of Dawn Kitchen & Bath Products, Inc. ("Dawn"). For special situations or further assistance, please consult professionals.
- All products should be inspected by customers upon receipt and before any installation. Any defective product should be reported immediately and should NOT be installed.
- Requirements may vary for installation in a granite, marble, stone, or butcher block countertop.
- Installation by professional installers is highly recommended. Dawn assumes no liability for any damages incurred through the use of information provided in this guide.

CARE AND CLEANING

Dawn® Vanity Cabinets

Wood naturally darkens over time or changes slightly in color due to light exposure and may go unnoticed from day to day. However, over an extended period of time it may become more noticeable, depending on the amount of sunlight exposure. Our warranty replacement products are not guaranteed to have an exact match. Any imperfections such as small surface splits, small dark pits or dark mineral streaks are natural and will not be considered as defects.

- Do regular routine cleaning rather than an occasional aggressive single cleaning.
- Dust frequently with a soft cloth and occasionally use a wood cleaner that is not silicone based.
- Do not place in direct sunlight or near windows with direct sunlight exposure.
- Avoid extreme temperature changes and keep away from heater and air conditioning units.
- Do not allow liquids to remain on the wood surfaces for longer than necessary.
- Liquid absorption will cause wood to warp, bubble, and crack, and your finish may peel.

Dawn® Glass Sinks

Dawn® glass sinks are manufactured to our highest possible standards and regulations to ensure you receive the utmost quality. Dawn® tempered glass sinks are made to last because the tempering process makes them stronger than annealed glass. That does not mean they are indestructible, but rather more durable and practical for everyday use. We have a few recommendations to make your sink last and maintain its sheen. Glass is subject to thermal stress when it experiences extreme hot or cold conditions suddenly. Glass needs time to be heated or cooled to extreme temperatures, and sudden changes can cause stress cracks to the product.

- Clean regularly with hot water and a mild detergent solution applied with a soft cloth or sponge to remove deposits.
- Rinse thoroughly and towel dry after every use to prevent water spots and mineral deposits.
- Drying your sink afterwards will help prevent water spots.
- Rain-X®, which is available at most automotive departments can be applied to keep your Dawn® sink water spot free.

Dawn® Ceramic Sinks

To keep your Dawn® products the center of attention, we suggest you follow these guidelines to maintain its quality and beautiful aesthetics. Deep clean once a week with an approved cleanser and a soft cloth or sponge rather than an occasional aggressive single cleaning.

Water quality can also affect your Dawn® sink making it appear dull or stained. Lime scale is notorious for absorbing liquids like coffee, tea, and wine making the stained or tinged look. To remove lime scale build up on your Dawn® sink, use a lime scale cleaning agent, such as CLR®. You can also soak the sink in 1 part white vinegar and 3 parts water to help loosen problematic areas making it much easier to sponge away debris. Make sure to use a non-abrasive pad/sponge with a ceramic cleaner.

Do's and Don'ts

- Clean regularly with hot water and a mild detergent solution applied with a soft cloth or sponge to remove deposits.
- Rinse thoroughly and towel dry after every use to prevent water spots and mineral deposits.
- Drying your sink after each use will help prevent water spots and lime scale.
- To remove lime scale or water spots, only use cleaners made specifically for that purpose. Apply cleaners to cleaning cloths, pads, or sponges first, and test in a small area; do not apply directly onto the product.
- Do not allow any cleaning product to remain on your sink longer than necessary.
- Do not leave rubber patches, wet sponges, cloths, cleaning pads, or dishpans in the sink.
- Do not use coarse abrasive powders and metallic scourers, such as steel wool or brushes with metal bristles.
- Do not allow liquid soap or other cleansers to dry on the surface of the sink.
- Do not use detergents or soaps that contain acid or that are not dissolvable.