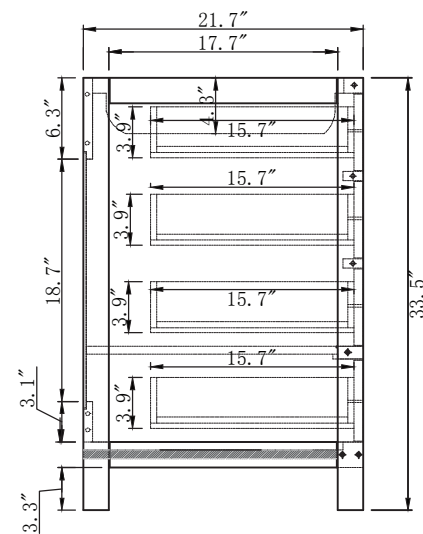
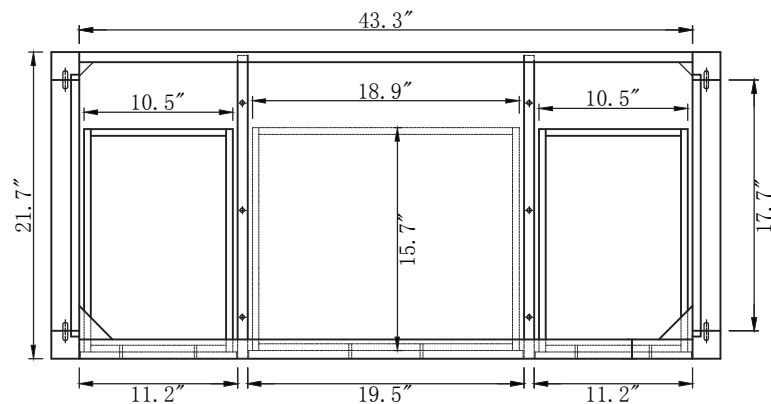
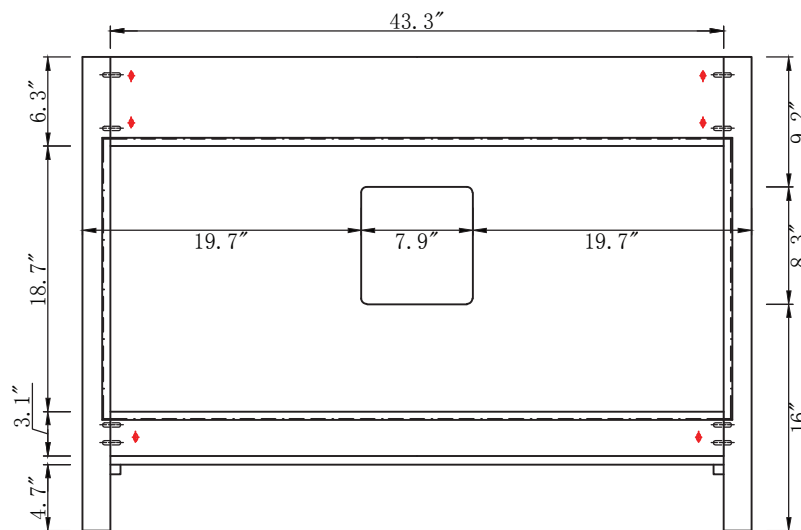


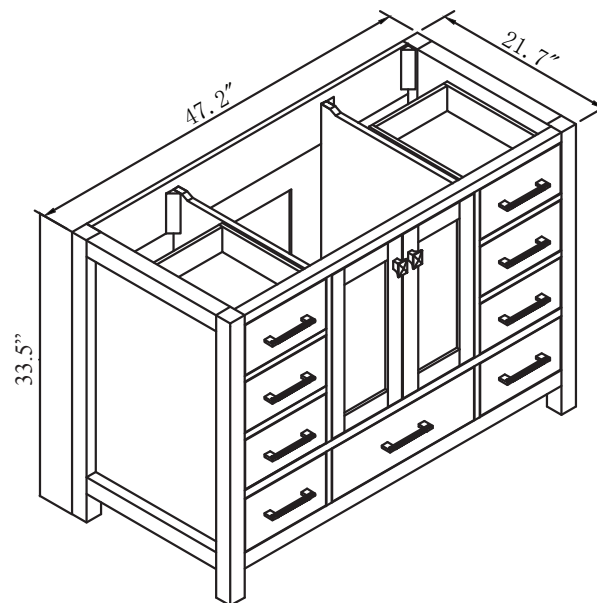
TOP



SIDE



BACK



SPECIFICATIONS

SKU: GS-50048

REV1.13.18

NOTES

Countertops are not shown in these diagrams. (Cabinet Only)
Do not expose the surface of the cabinet to corrosive liquids or direct sunlight.
All dimensions and specifications are approximate and subject to change without notice.