

**INSTALLATION INSTRUCTIONS**

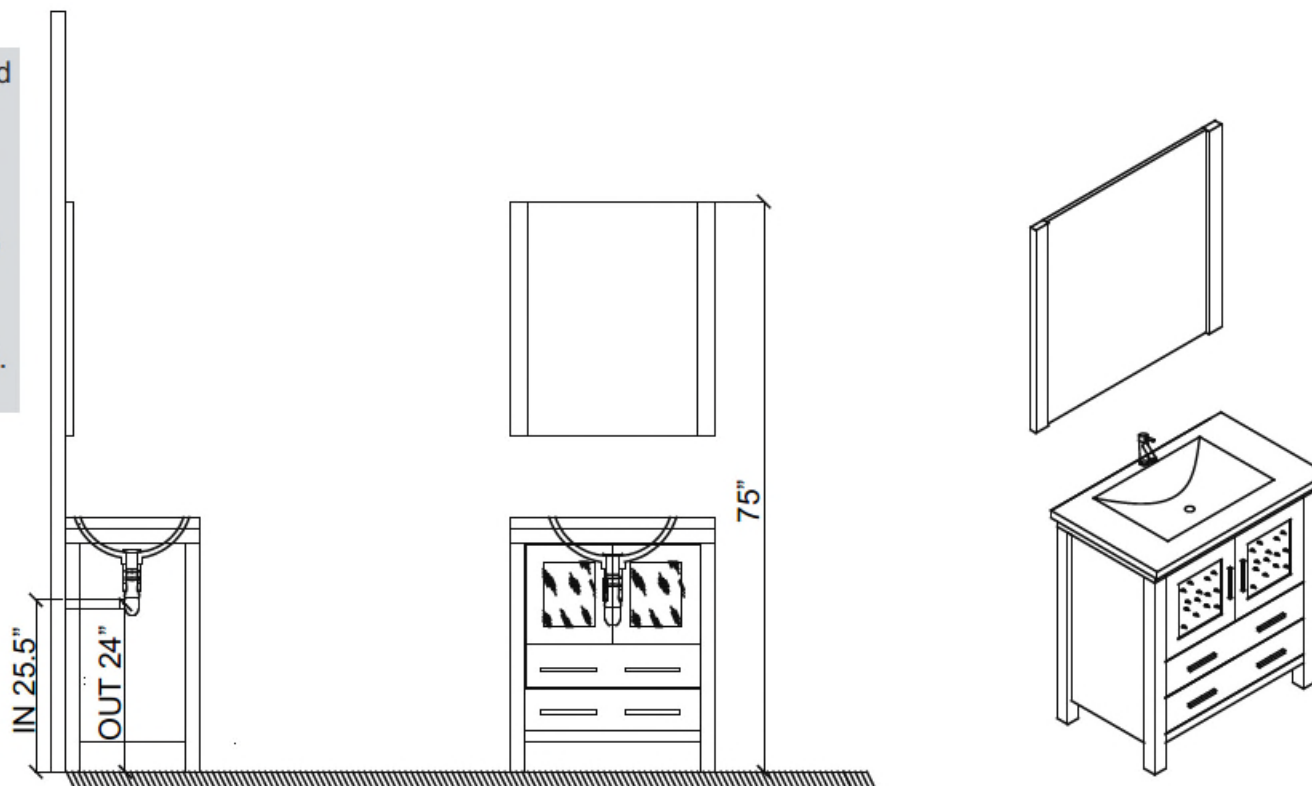
Confidential : A

SKU:30"

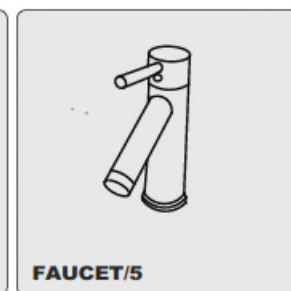
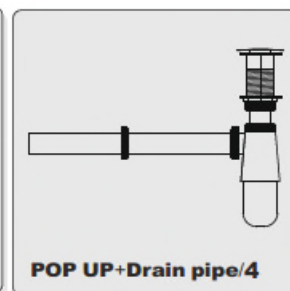
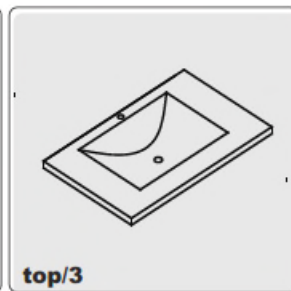
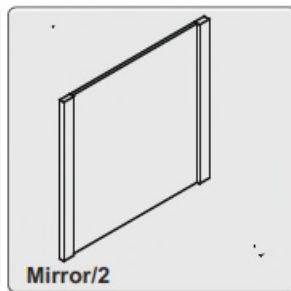
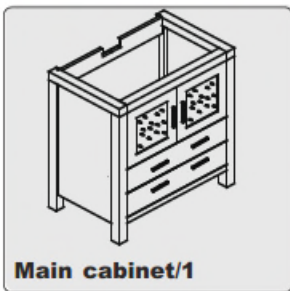
SIZE: 750x460x880mm

**kitchensource.com**  
1.800.667.8721

- Prior to installation please check received items against the Packing List . please report any missing items to your local dealer immediately.
- Protect all surfaces from sharp objects, high hert sources,direct prolonged sunlight and chemical hazards.
- Professional installation recommended.



**PACKING LIST**



SKU:30"

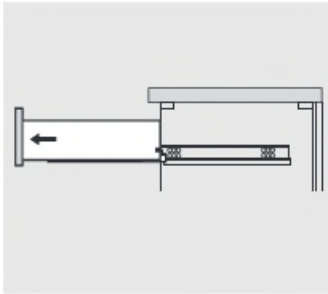
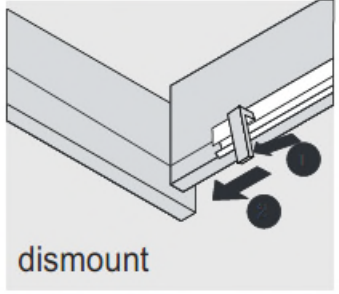
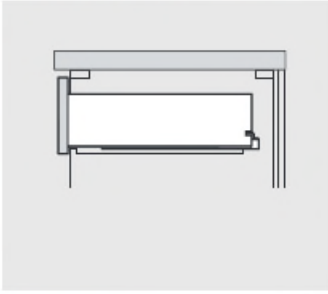
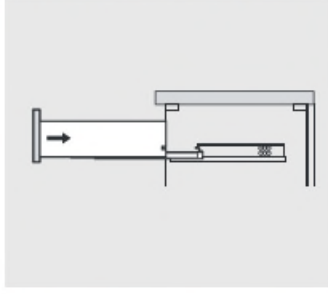
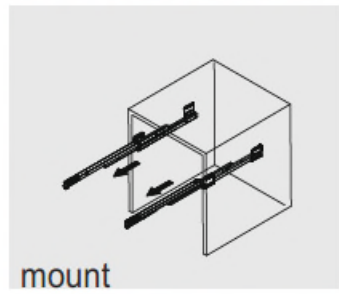
SIZE:750x460x880mm

**kitchensource.com**  
1.800.667.8721

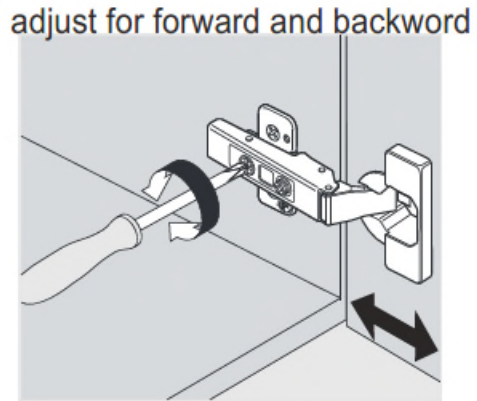
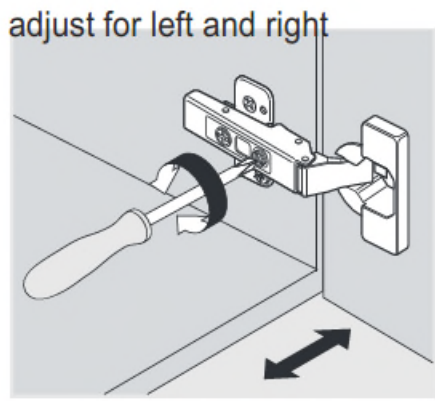
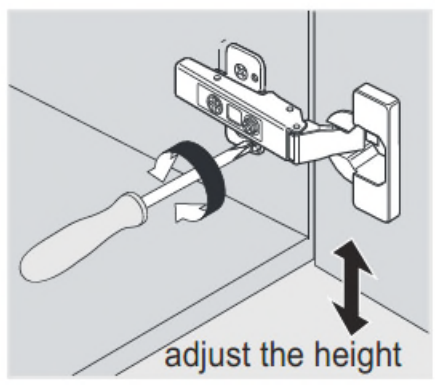
**REQUIRED TOOLS**



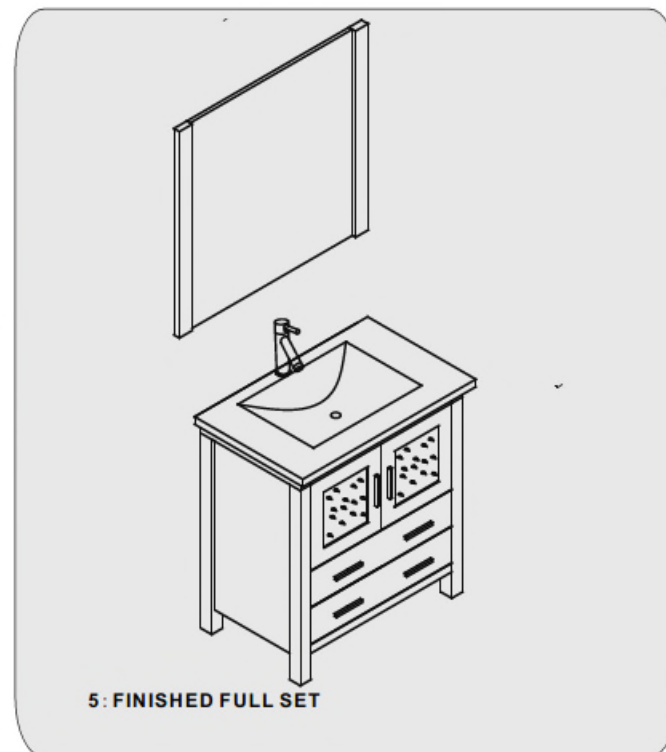
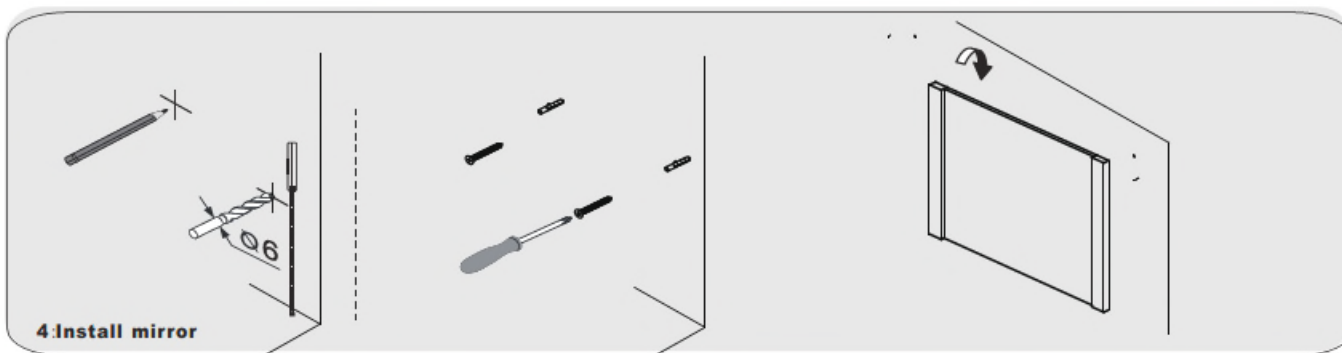
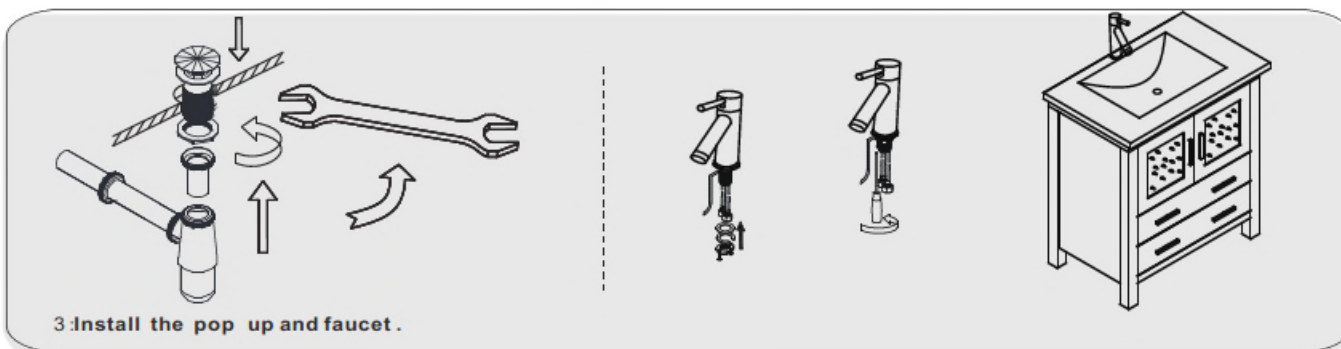
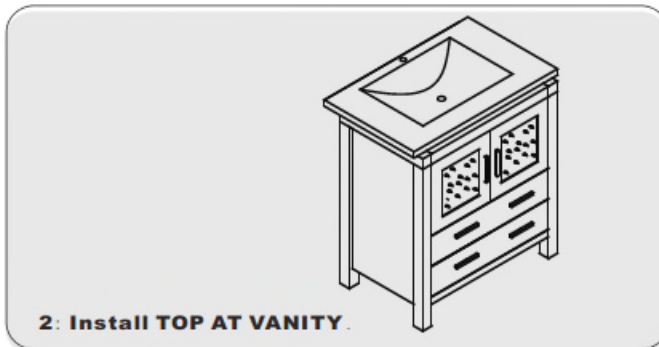
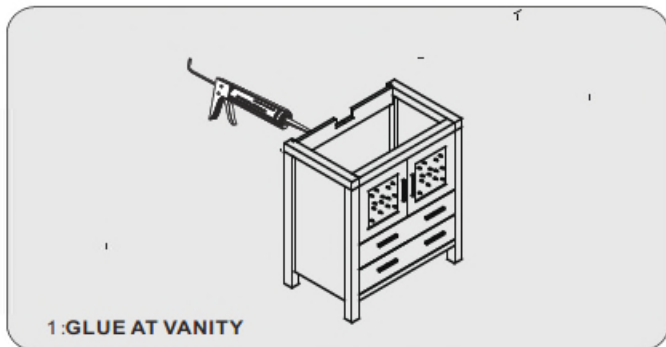
**DRAWER SLIDER ATTACHMENT AND DETACHMENT**



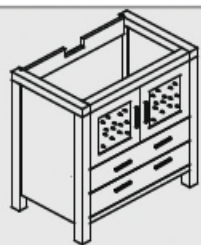
**INSTALLATION AND ADJUSTMENT OF HINGES**



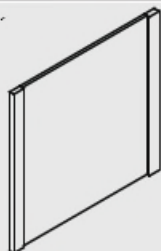
**INSTALLATION PROCESS**



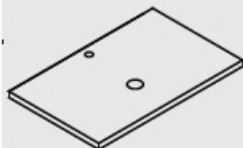
**PACKING LIST**



**Main cabinet/1**



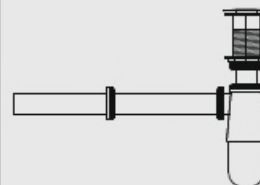
**Mirror/2**



**top/3**



**basin/4**



**POP UP+Drain pipe/5**

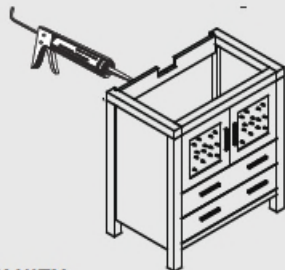


**FAUCET/6**

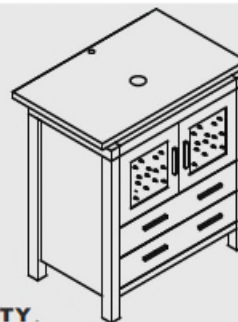


**Install screw/7**

**INSTALLATION PROCESS**



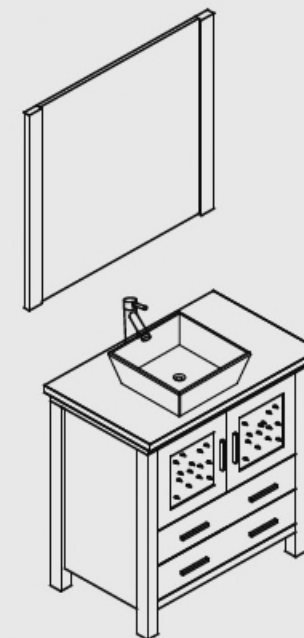
**1: GLUE AT VANITY**



**2: Install TOP AT VANITY**



**3: install Basin**



**6: FINISHED FULL SET**