

VIGO INDUSTRIES INSTALLATION GUIDE FOR SHOWER ENCLOSURE (MODEL VG06011)

SAFETY PRECAUTIONS

This Installation Guide uses the following symbols to indicate important information. Always observe the instructions indicated by these symbols.

WARNING

Instructions that, if ignored, could result in death or serious personal injury caused by incorrect handling or installation of the product. These instructions must be observed for safe installation.

CAUTION

The instructions for the following unit is based off of the Vigo brand shower base. The instructions can not be provided for any other installation other than that of the Vigo brand. The warranty will be voided if the following was not performed properly.

IMPORTANT

Maintenance and other important non-personal injury and non-material damage instructions or statements that should be observed.

It is highly advised to dry fit the unit prior to any installation.

*VIGO reserves the right to modify/update all hardware and glass components based on bettering the product for the end user's experience.

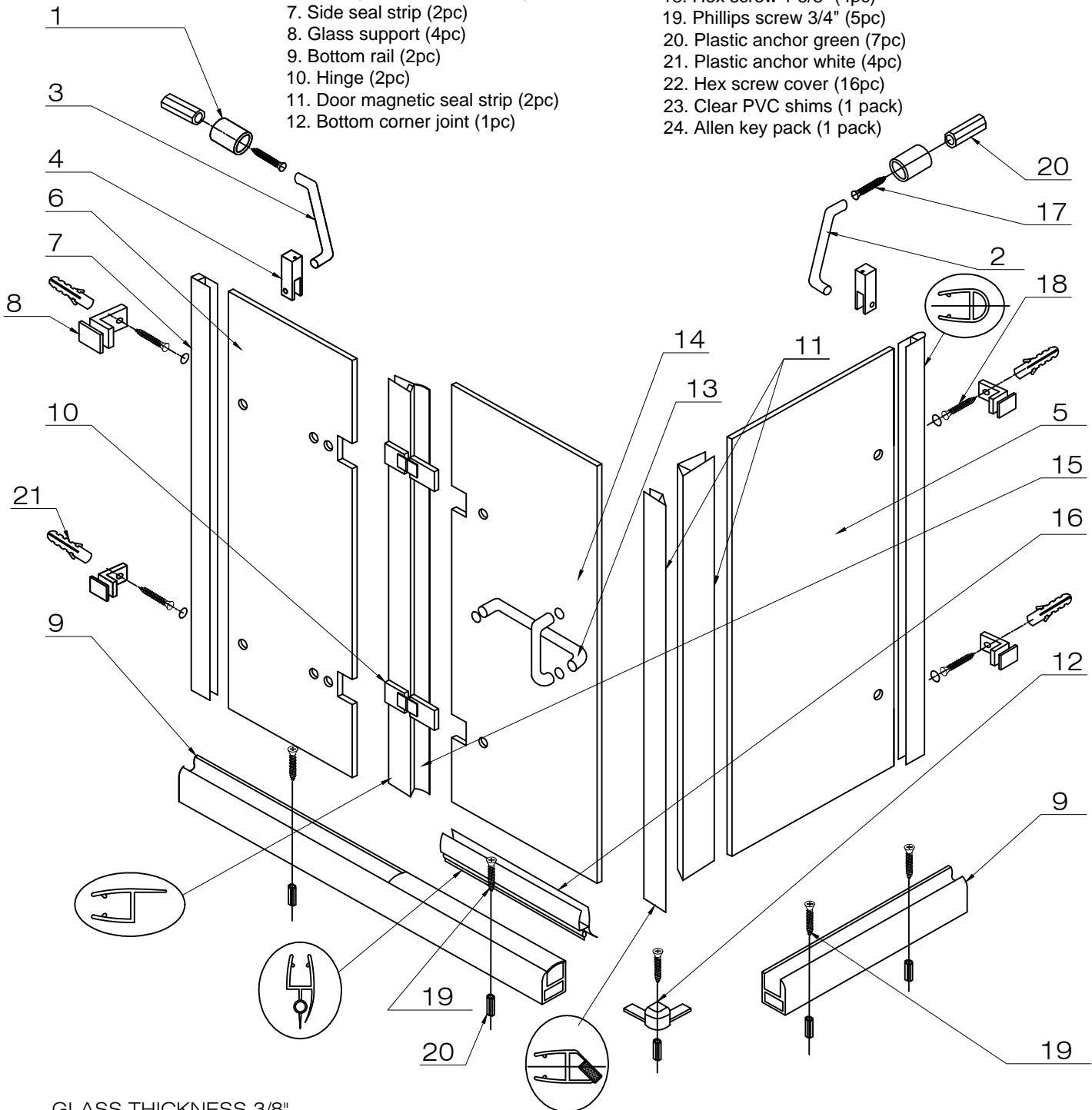
MODEL VG06011 MONTERAY

INSTALLATION INSTRUCTIONS FOR SHOWER ENCLOSURE

PLEASE READ INSTRUCTIONS BEFORE PROCEEDING

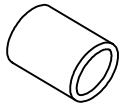





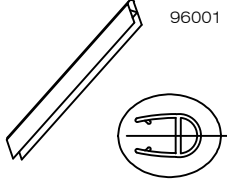
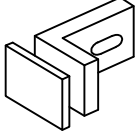
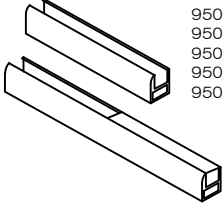
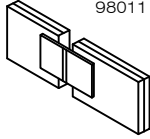

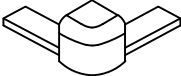
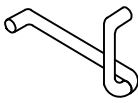
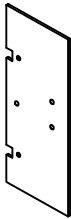
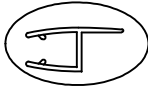
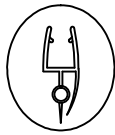



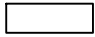

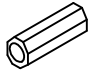
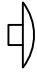
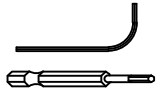
Parts List

- | | |
|--|--|
| 1. Wall connector (2pc) | 13. Handle assembly (1pc) |
| 2. Longer Structural arm (1pc) | 14. Door (1pc) |
| 3. Shorter Structural arm (1pc) | 15. Door side seal strip (2pc, 1 of each is extra) |
| 4. Support assembly (2pc) | 16. Door bottom seal strip (2pc, 1 of each is extra) |
| 5. Side glass panel (1pc) | 17. Phillips screw 1 1/8" (2pc) |
| 6. Front glass panel (with hinge slots, 1pc) | 18. Hex screw 1 5/8" (4pc) |
| 7. Side seal strip (2pc) | 19. Phillips screw 3/4" (5pc) |
| 8. Glass support (4pc) | 20. Plastic anchor green (7pc) |
| 9. Bottom rail (2pc) | 21. Plastic anchor white (4pc) |
| 10. Hinge (2pc) | 22. Hex screw cover (16pc) |
| 11. Door magnetic seal strip (2pc) | 23. Clear PVC shims (1 pack) |
| 12. Bottom corner joint (1pc) | 24. Allen key pack (1 pack) |



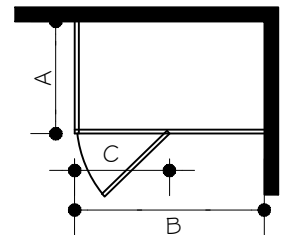
GLASS THICKNESS 3/8"

NOTE: INSTALLATION MUST BE DONE BY A QUALIFIED, LICENSED PROFESSIONAL.

<p>1. WALL CONNECTOR</p>  <p>98007</p>	<p>2. LONGER STRUCTURAL ARM</p>  <p>98068-3232 98068-3636 98068-3240 98068-3248 98068-3648</p>	<p>3. SHORTER STRUCTURAL ARM</p>  <p>98069-3232 98069-3636 98069-3240 98069-3248 98069-3648</p>	<p>4. SUPPORT ASSEMBLY</p>  <p>98009</p>	<p>5. SIDE GLASS PANEL</p> <p>97003-32 97003-36</p> 
<p>6. FRONT GLASS PANEL</p> <p>97004-32 97004-36 97004-40 97004-48</p> 	<p>7. SIDE SEAL STRIP</p>  <p>96001</p>	<p>8. GLASS SUPPORT</p>  <p>98010</p>	<p>9. BOTTOM RAIL</p>  <p>95002-32x32 95002-32x40 95002-32x48 95002-36x36 95002-36x48</p>	<p>10. HINGE ASSEMBLY</p>  <p>98011</p>
<p>11. DOOR MAGNETIC SEAL STRIP</p>  <p>96011</p>	<p>12. BOTTOM CORNER JOINT</p>  <p>94004</p>	<p>13. DOOR HANDLES</p>  <p>98012-15 98012-18</p>	<p>14. DOOR</p>  <p>97010-32 97010-36 97010-40 97010-48</p>	<p>15. DOOR SIDE SEAL STRIP</p>  <p>96006</p>
<p>16. DOOR BOTTOM SEAL STRIP</p>  <p>96004</p>	<p>17. PHILLIPS SCREW 1 1/8"</p>  <p>98035</p>	<p>19. PHILLIPS SCREW 3/4"</p>  <p>98033</p>	<p>21. PLASTIC ANCHOR</p>  <p>98038</p>	<p>23. CLEAR PVC SHIM</p>  <p>MISC</p>
	<p>18. HEX SCREW 1 5/8"</p>  <p>98039</p>	<p>20. PLASTIC ANCHOR</p>  <p>98037</p>	<p>22. HEX SCREW COVER</p>  <p>96040</p>	<p>24. ALLEN KEY PACK</p>  <p>MISC</p>

* - WITH HARDWARE AND WITHOUT SHOWER BASE (FULLY INSTALLED)

MODEL	DIM. "A"	DIM. "B"	DIM. "C"	HEIGHT	#5- SIDE GLASS PANEL (97003)	#6- FRONT GLASS PANEL (97004)	#14- DOOR (97010)	DOOR OPENING WIDTH
36 X 48	34 1/8"	46"	23 3/4"	73 3/8"	33 1/8"x71 5/8"	21 1/4"x71 5/8"	23 5/8"x70 3/4"	24 1/4"
36 X 36	34 1/8"	34 1/8"	22 7/8"	73 3/8"	33 1/8"x71 5/8"	10 1/8"x71 5/8"	22 7/8"x70 3/4"	23 7/16"
32 X 48	30 1/4"	46"	23 3/4"	73 3/8"	29 1/4"x71 5/8"	21 1/4"x71 5/8"	23 5/8"x70 3/4"	24 1/4"
32 X 40	30 1/4"	38 1/4"	22 7/8"	73 3/8"	29 1/4"x71 5/8"	14 1/8"x71 5/8"	22 7/8"x70 3/4"	23 7/16"
32 X 32	30 1/4"	30 1/4"	19 3/4"	73 3/8"	29 1/4"x71 5/8"	9 1/2"x71 5/8"	19 3/4"x70 3/4"	20 1/4"



** - WITH HARDWARE AND WITH CORRESPONDING VIGO BRAND BASE (FULLY INSTALLED)

MODEL	DIM. "A"	DIM. "B"	DIM. "C"	HEIGHT	#5- SIDE GLASS PANEL (97003)	#6- FRONT GLASS PANEL (97004)	#14- DOOR (97010)	DOOR OPENING WIDTH
36 X 48	36 1/8"	48 1/8"	23 3/4"	79 1/4"	33 1/8"x71 5/8"	21 1/4"x71 5/8"	23 5/8"x70 3/4"	24 1/4"
36 X 36	36 1/8"	36 1/8"	22 7/8"	79 1/4"	33 1/8"x71 5/8"	10 1/8"x71 5/8"	22 7/8"x70 3/4"	23 7/16"
32 X 48	32 3/8"	48 1/8"	23 3/4"	79 1/4"	29 1/4"x71 5/8"	21 1/4"x71 5/8"	23 5/8"x70 3/4"	24 1/4"
32 X 40	32 3/8"	40 1/4"	22 7/8"	79 1/4"	29 1/4"x71 5/8"	14 1/8"x71 5/8"	22 7/8"x70 3/4"	23 7/16"
32 X 32	32 3/8"	32 3/8"	19 3/4"	79 1/4"	29 1/4"x71 5/8"	9 1/2"x71 5/8"	19 3/4"x70 3/4"	20 1/4"

A, B & C DIMENSIONS WERE MEASURED AFTER SHOWER ENCLOSURE WAS COMPLETELY INSTALLED

⊘ Product lines may change

⚠ WARNING

WE STRONGLY RECOMMEND THAT A LICENSED PROFESSIONAL INSTALL THIS SHOWER ENCLOSURE AND INCLUDE THE ASSISTANCE OF A SECOND PERSON TO INSTALL THE DOOR UNIT.

INSTALLATION OF THE SHOWER DOORS BY AN INEXPERIENCED PERSON MAY RESULT IN GLASS BREAKAGE AND, CONSEQUENTLY, CAUSE PERSONAL INJURY OR DEATH.

- Handle fragile items with care to prevent personal injury or material damage.
- The glass panels are tempered and cannot be cut. Never attempt to do so.
- Always rest glass on a level surface

BEFORE STARTING

Compare items on your invoice with what you have received. Carefully review the Packing List on page 2.

REQUIRED TOOLS

- Square and/or Phillips #1 and #2 screwdriver
- Flat head screwdriver
- Electric drill plus 1/32", 3/32", 1/8" and 1/4" drill bit (depending on wall)
- Level
- Measuring tape
- Pencil (non-permanent)
- Clear silicone caulking
- Utility knife
- Shims (not provided)

⊘ IMPORTANT

- Fiberglass, acrylic or sheetrock construction might not be sufficiently strong enough to support the shower door enclosure. You should use the wood framing studs from behind the face edge of the stall to provide a secure mounting to the door. Apply a bead of silicone between the walls and base of the stall.
- For optimum performance, you should install the shower door perfectly level on a level surface. Failure to do so will lead to water leakage and potential property damage.
- When installing use heavy duty gloves.

IMPORTANT:

THE CLEAR GLASS MODEL HAS A REVERSIBLE DOOR AND CAN BE INSTALLED TO THE RIGHT OR LEFT SIDE. (SEE CONFIGURATION DIAGRAM BELOW)

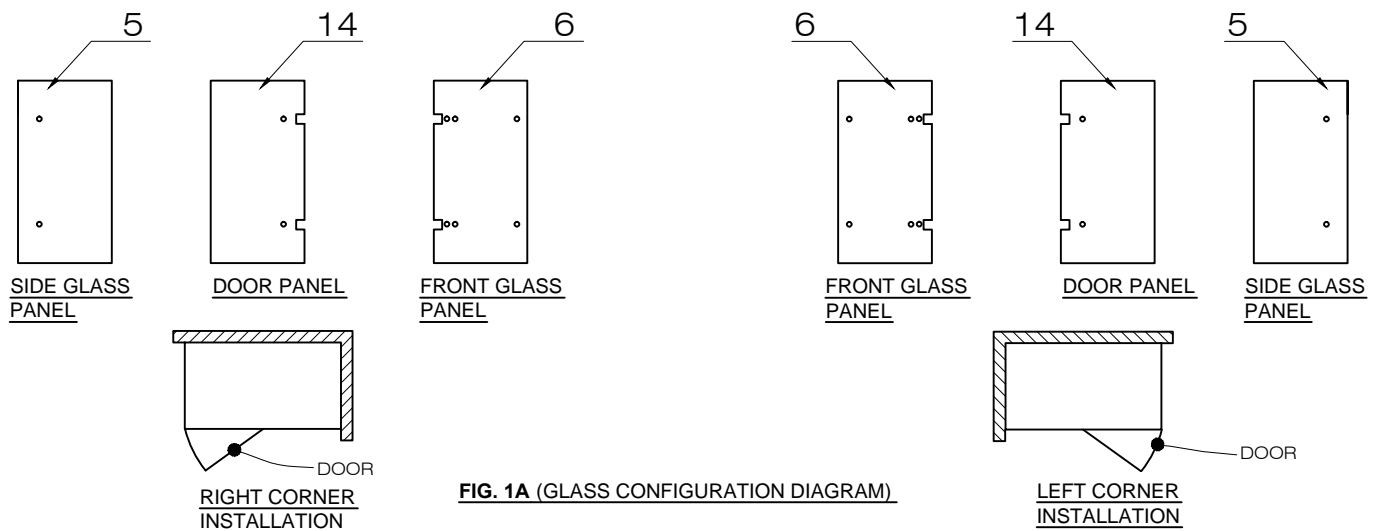


FIG. 1A (GLASS CONFIGURATION DIAGRAM)

PREPARATION STEPS TO FOLLOW BEFORE INSTALLATION

1. Remove the plastic layer from the base border (if needed). Do NOT remove the plastic layer off the plastic platform of the base.
2. Properly apply silicone to the wall and base joints.
3. Make sure to read corresponding base instructions carefully prior to install on the Vigo Brand Shower Door System. Failure to do so can cause water leakage and bodily harm.

⊘ IMPORTANT

- To prevent damage to the finish, you should protect the shower cabin bottom with a cardboard protector before beginning the installation.
- Ensure that there is sufficient structural support behind the shower wall to hold the weight of the shower door. If there is insufficient support, then reinforce the shower walls with wooden studs prior to shower door installation. [SEE FIG.1]

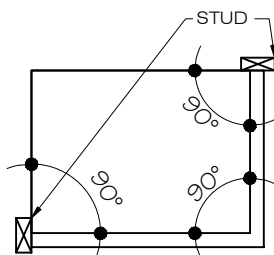
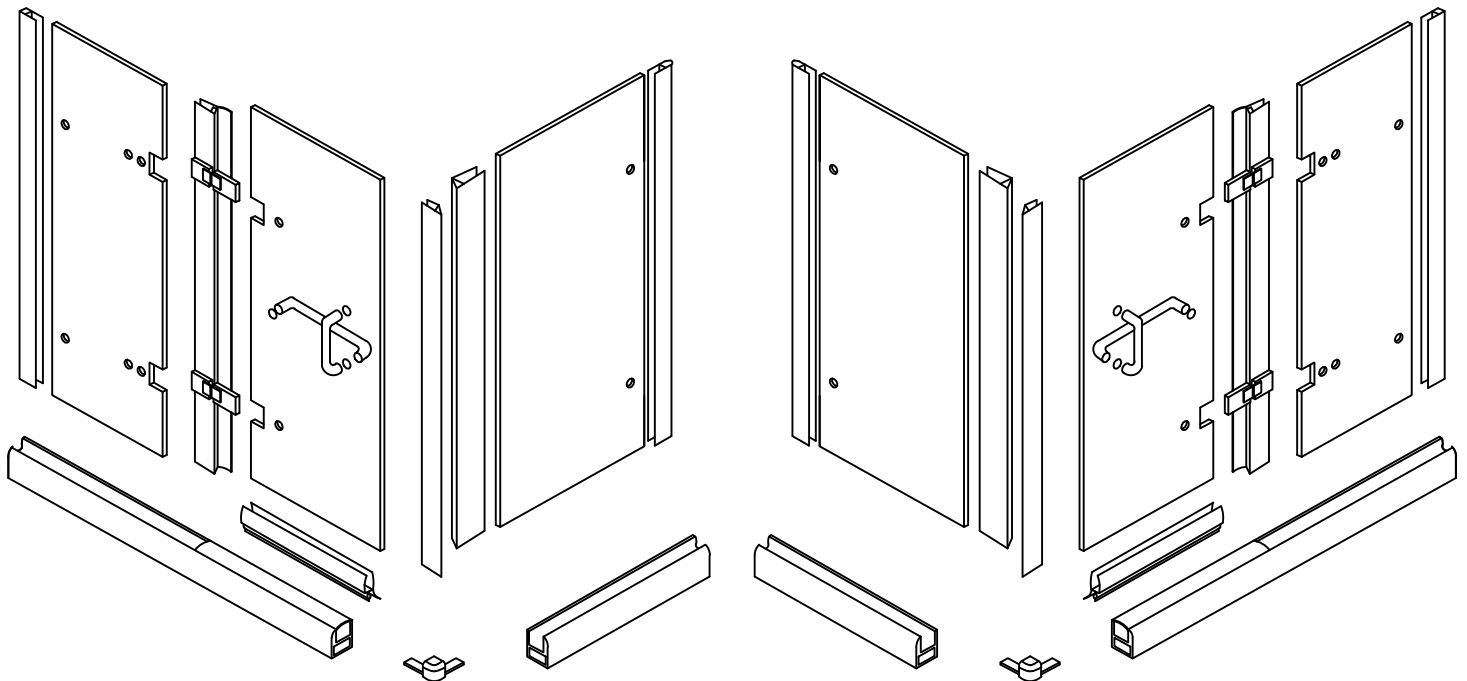


FIG.1

⚠ CAUTION

- **GASKETS NEED TO BE IN BETWEEN ALL GLASS AND METAL CONTACT. FAILURE TO DO SO CAN LEAD TO BREAKAGE AND POTENTIAL BODILY HARM.**



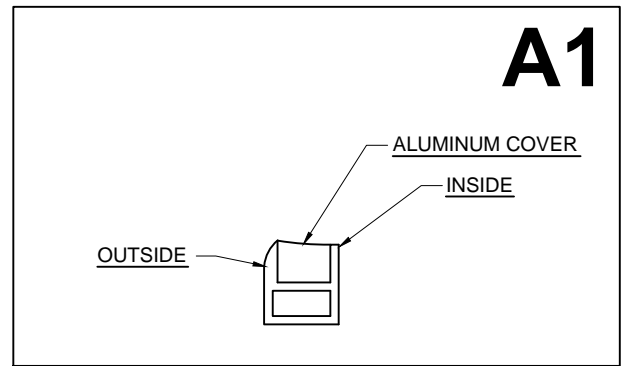
LEFT DOOR INSTALLATION

RIGHT DOOR INSTALLATION

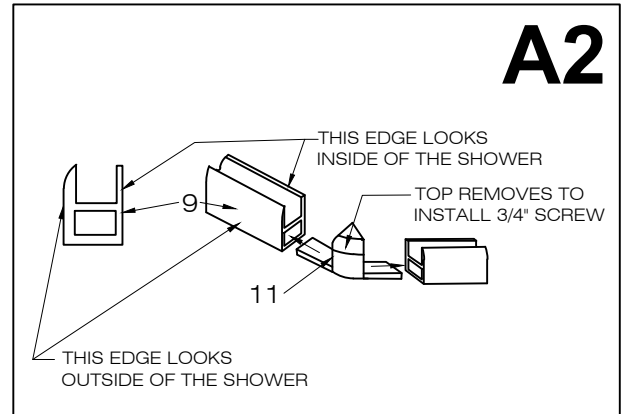
INSTALLATION STEPS

A. INSTALLING THE BOTTOM RAIL

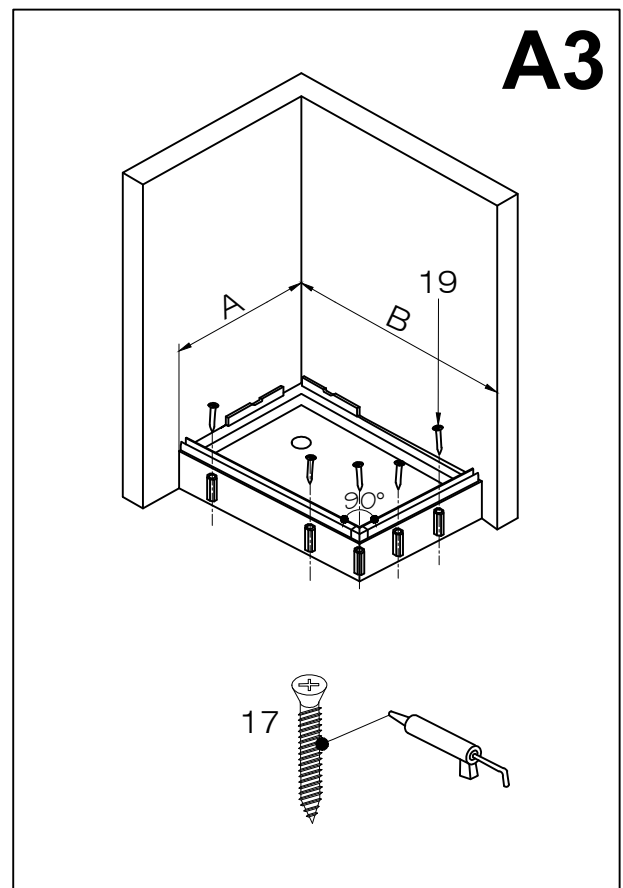
1. Remove the aluminum cover from the front piece of the bottom rail by sliding it out.



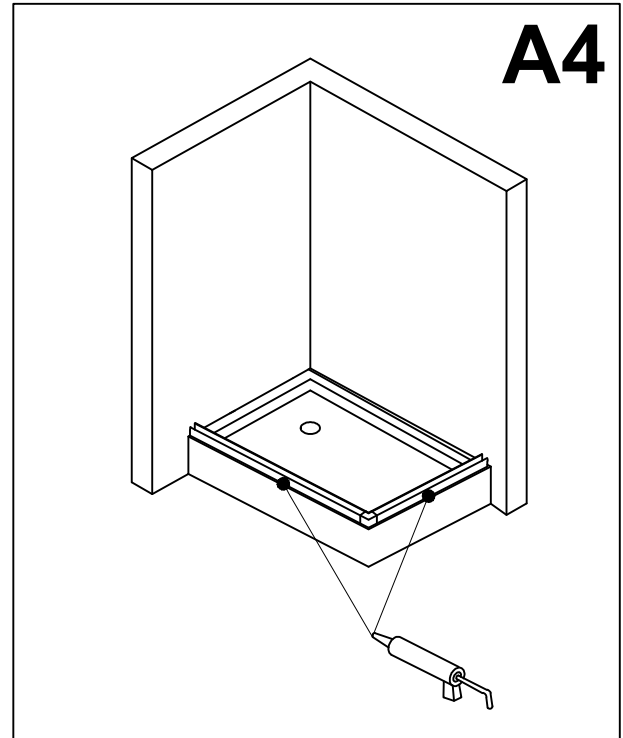
2. Remove top of the corner joint. Slide the bottom corner joint (#12) onto the bottom rail (2 pieces) (#9).



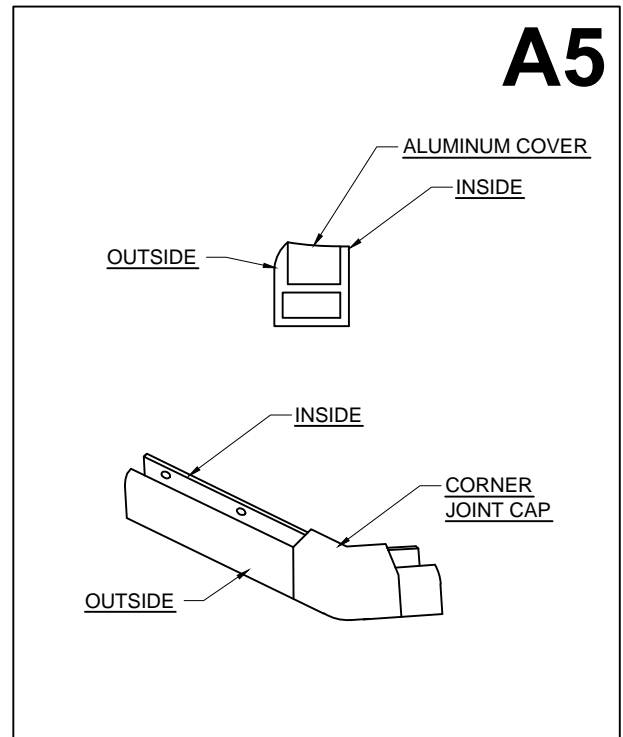
3. Align the bottom rail and corner joint to the desired position on the shower base. There should be a 90 degree angle where the rails meet. **Make sure the A and B distances are correct (see page 3 for A and B distances).** Prior to drilling, dry fit everything making sure that everything is straight, level and plum. Pre-drill for sinkers and tap sinkers. Cut excess sinker off with hacksaw or sharp blade. Dip screws in silicone. Screw corner joints and rails down. Silicone tops of screws.



4. Seal the bottom rail with clear silicone caulk and center its sides to the base.



5. Clip the aluminum cover to the front piece of the bottom rail making sure the lower side faces the inside of the shower. Silicone the underneath portion of the corner joint cap and place it on the corner joint.

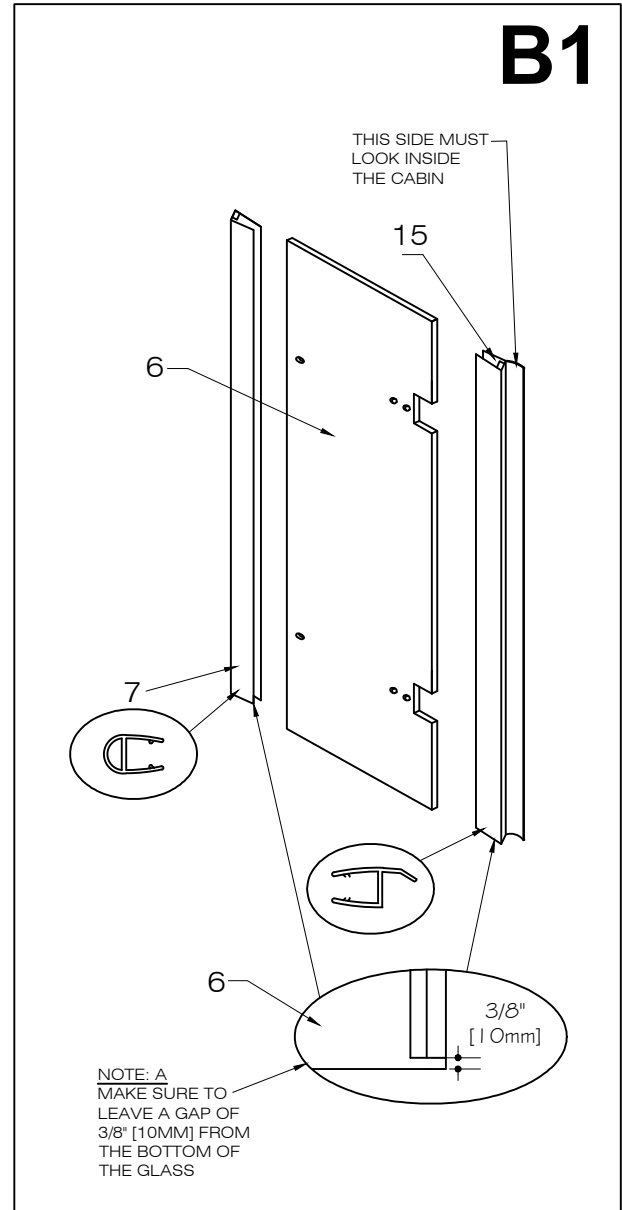


B. INSTALLING THE WATER SEAL STRIP TO FRONT FIXED PANEL

1. Clean the front fixed panel (#6) edge where the door side seal strip (#15) is to be installed with rubbing alcohol. Verify that the soft flange of the seal strip faces toward the inside of the shower cabin before seal strip installation. Install the seal strip according to the diagram. See Note: A. Leave the extra at the top of the seal strip that is overlapping the glass and cut at finish of install.

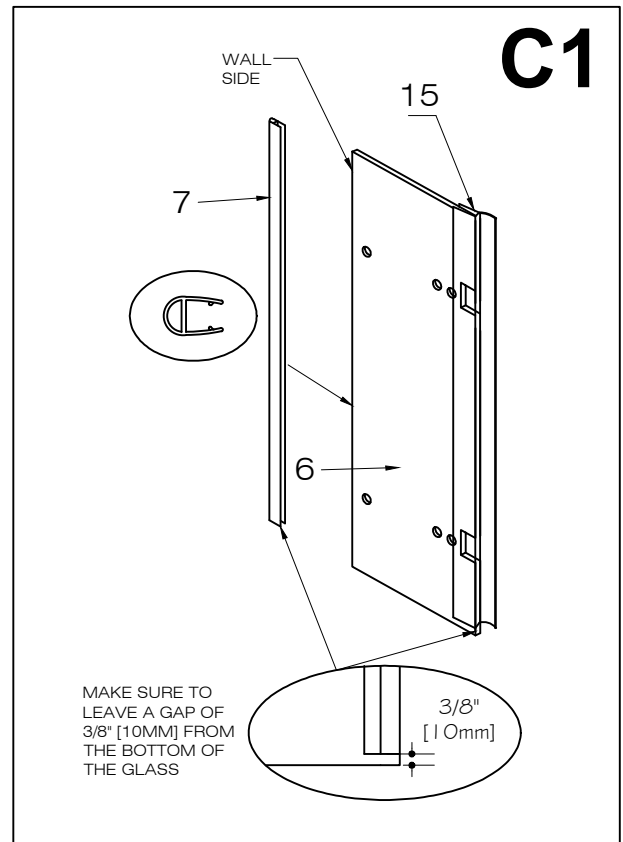
NOTES:

1. If the seal strip is not flat and is twisted, soak the strip in hot water and press the seal strip back into position.
2. Part #15 is reversible and pre-cut on top and bottom to fit in proper configuration. Cutting/finishing is needed but only after fully installing and only at the top of the unit.
3. The door magnetic seal strip (#11) and the side seal strips (#7) will be 10mm shorter than the front glass panel. This is to compensate for the depth of the bottom rail. The door magnetic seal strip (#11) is reversible and will need to be cut at top for best aesthetic approach.

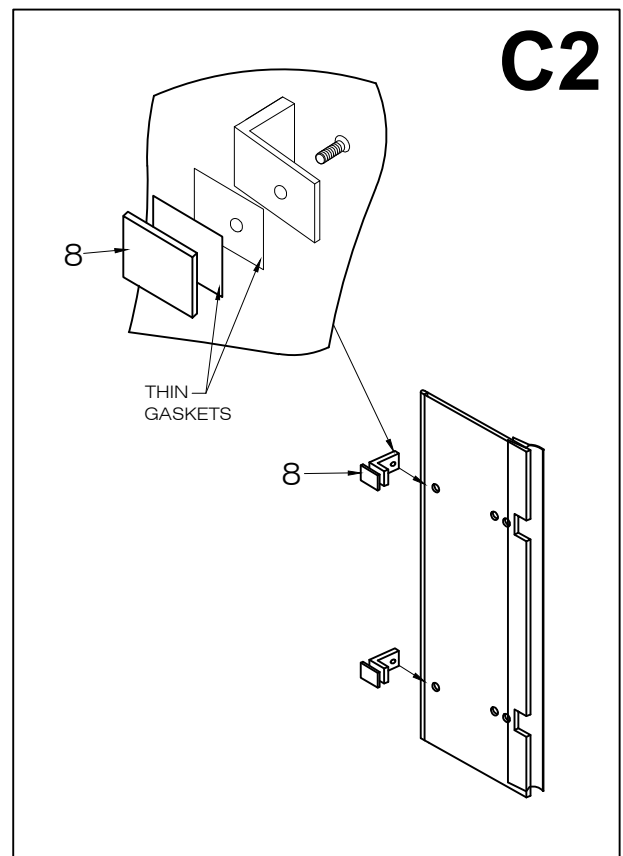


C. INSTALLING THE FRONT GLASS PANEL

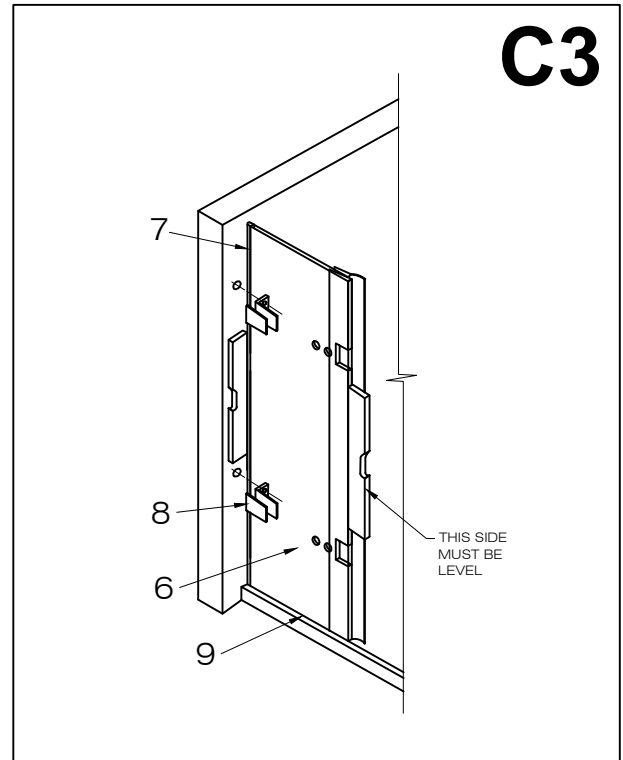
1. Arrange glass to the preferred configuration. [SEE FIG.1A on page 4]
⊗ **These instructions are for a left corner installation.** Select the door opening location on the shower cabin. Install the seal strip (#7) to the wall side of the front glass panel (#6).



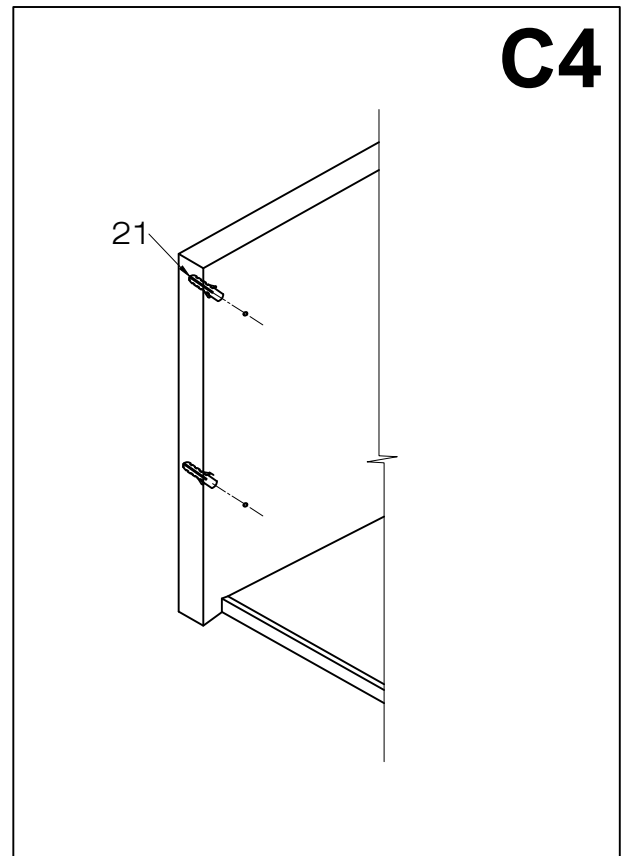
2. Screw in the glass support (#8) to the front glass panel (#6) using the hex key (supplied) making sure to slide it back as far as possible from the glass before you tighten. The part that connects to the wall should be facing in. Be sure to use gaskets on both sides of the panel.



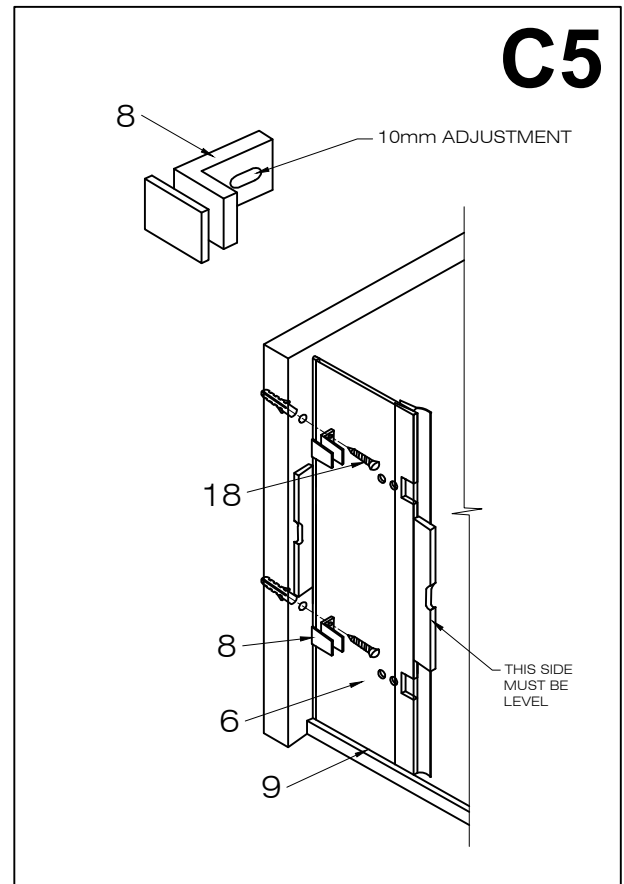
3. Place the front glass panel (#6) into the bottom rail (#9). Use the level to position the front glass panel correctly. Make sure the seal strip (#7) is against the wall. Mark holes on the wall for the mounting screws.



4. Remove the front glass panel. Drill holes into the respective marks and insert plastic anchors (#21) inside them. **⚠ Not necessary if installing into studs. Studs are the preferred means of installation, anchors can pull out of the wall causing property damage and bodily harm.**

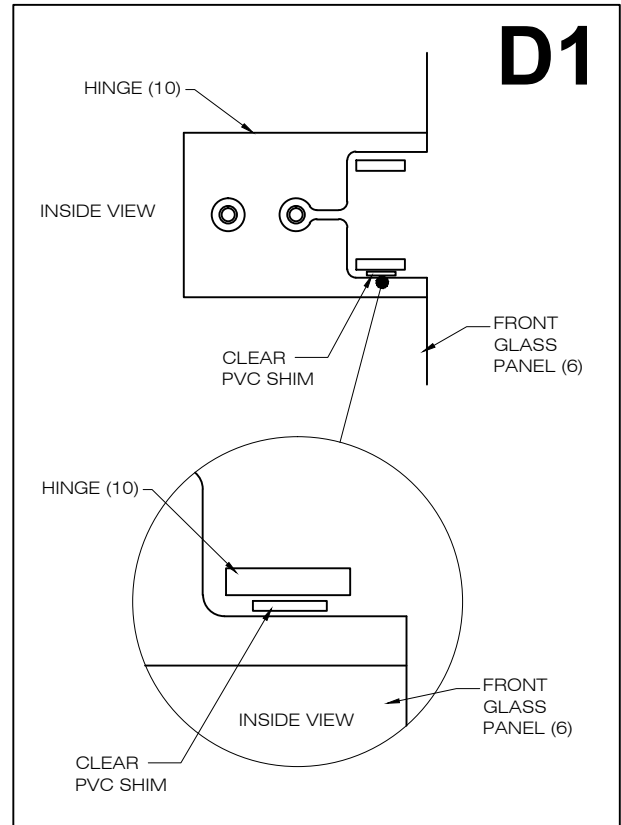


5. Replace the front glass panel (#6) back into the bottom rail and screw it to the wall with the with 1 5/8" screws (#18). If the panel is not level from the end, adjust the position of the glass supports on the glass. This being level is imperative to the installation. There is a 10mm adjustment built into the glass supports for minor modifications.

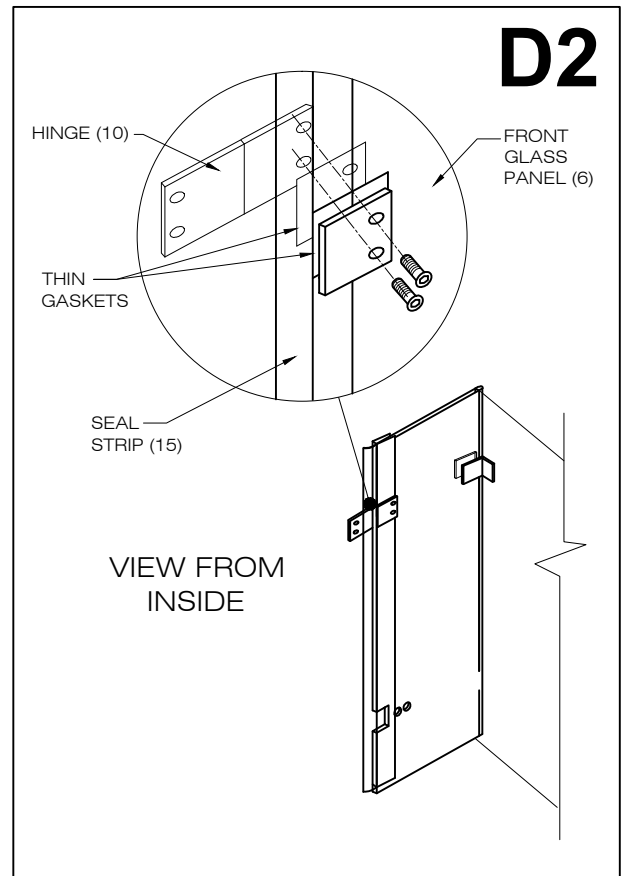


D. INSTALLING THE HINGE

1. Clean the glass surface on the front glass panel (#6) where the hinges (#10) are to be installed with rubbing alcohol. Place gaskets on each side of the front glass panel (#6). Position hinges on the front glass panel (#6). Place a shim(s) as needed between the glass and the hinge on the bottom. The metal should not rest on the glass.



2. Screw the hinges to the front glass panel with the hex key (supplied).

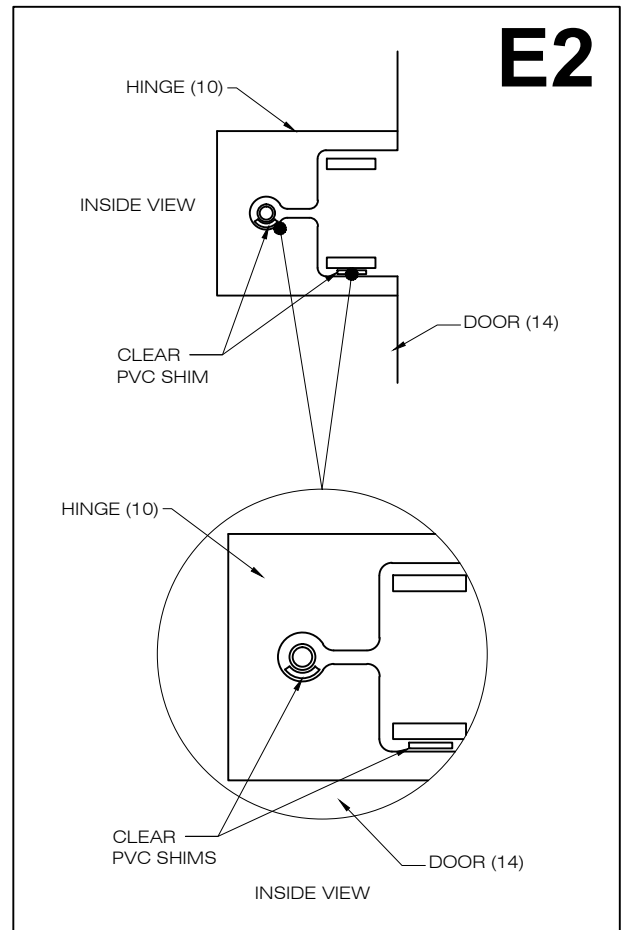
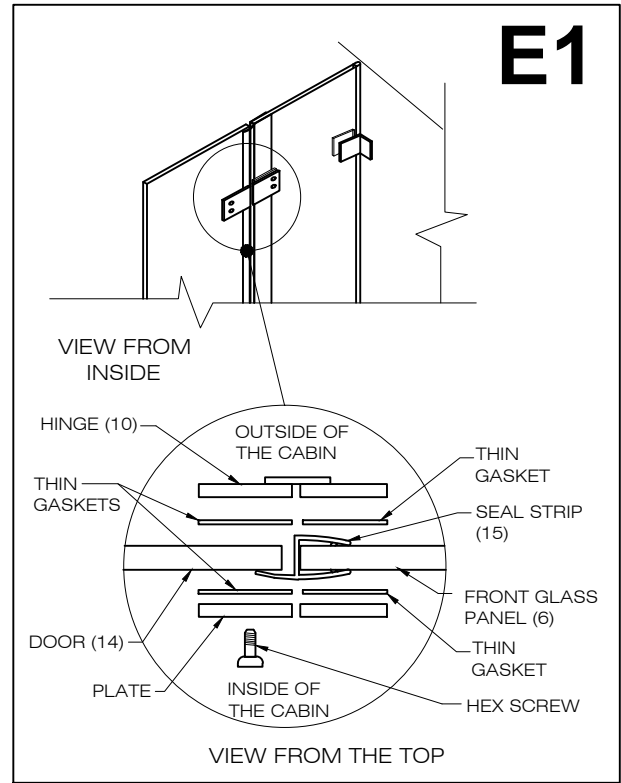


⚠ WARNING

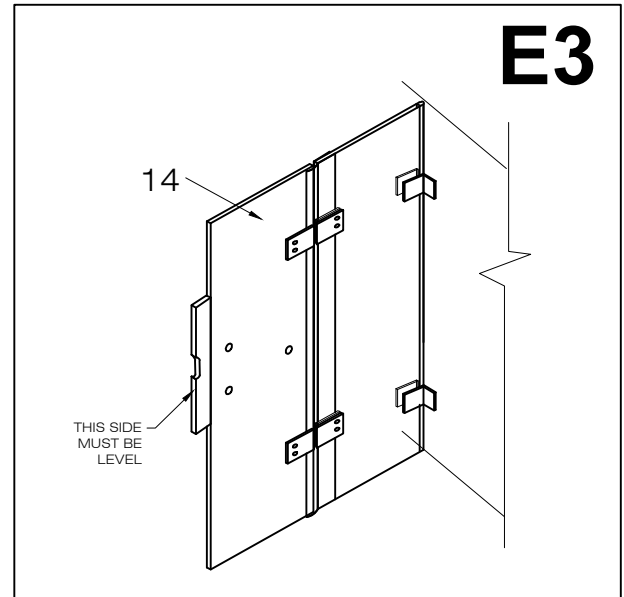
DOOR PANEL INSTALLATION REQUIRES TWO OR MORE PEOPLE TO ASSIST

E. INSTALLING THE DOOR

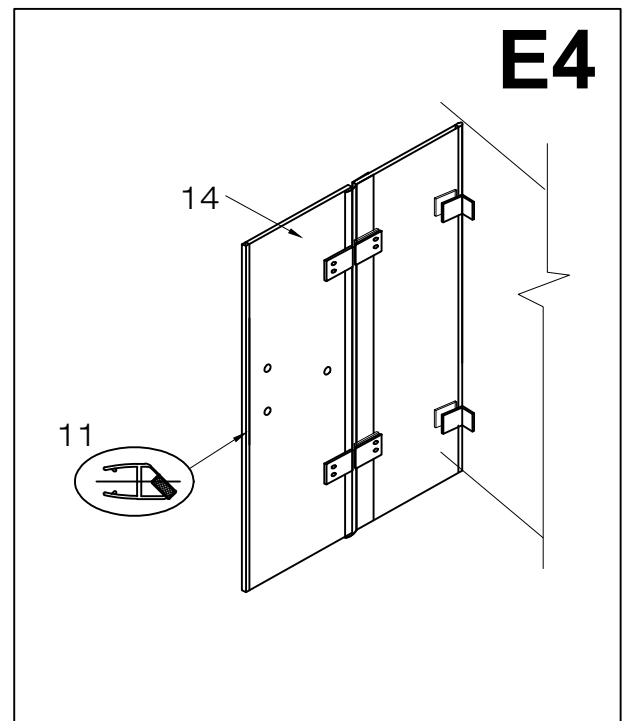
- Place the door on a 5/8" shim (not provided). Install the top hinge first for safety and ease of install. Position the door onto the hinges. Hold securely in place using shims. The seal (#15) may get stuck between the two panels of glass. Pull the seal out of the groove using your fingers and nothing sharp, making sure not to damage the seal. Tighten allen key screws. Install the hinges as illustrated. Use the hex key supplied. Adjust hinge so the gaps are equal at top and bottom and pull door panel away from front panel (#6) to allow the door to swing freely without crimping seal strip (#15).
- Lift door panel to be level with hinge panel. Use PVC shims provided to hold firmly in place. **NOTE - You may need to add more than one shim per hinge as glass hole openings vary during production. PVC shims prevent the door from sagging due to gravity and the weight of the door. ⚠ Never install without shims, this can cause the glass to break causing property damage and bodily harm.**



3. Make sure the door is level from the end. If the door is not level, adjust the hinge positions until the door is level. This being level is imperative to the installation and will guarantee a tight seal.

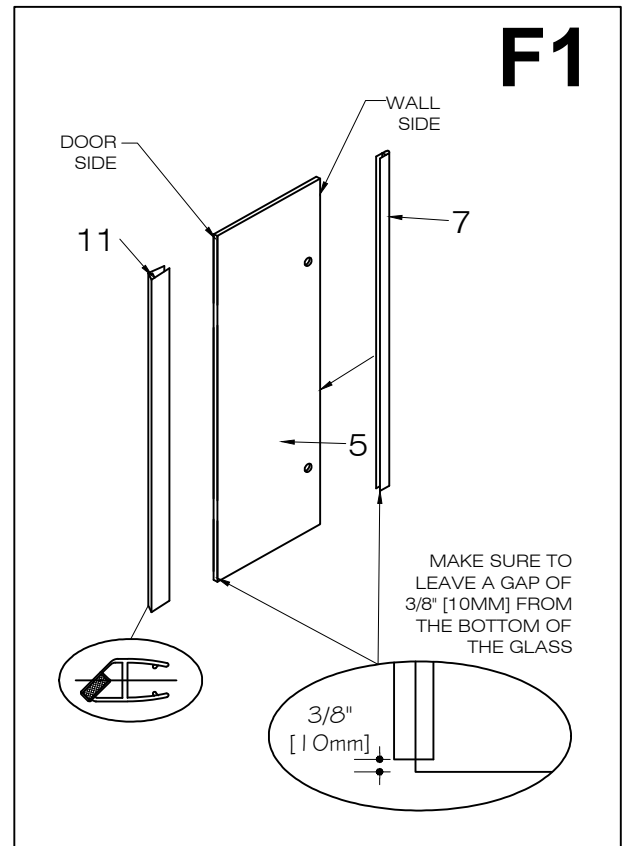


4. Clean the door (#14) glass surfaces where the hinges (#10) are to be installed with rubbing alcohol. Place magnetic seal strip (#11) to the panel. The magnetic side should be facing the inside and the clear side be facing the outside. Do not install the handle first, this is dangerous and may cause the glass to break. The door magnetic seal strip (#11) is reversible and will need to be cut at top for best aesthetic approach.

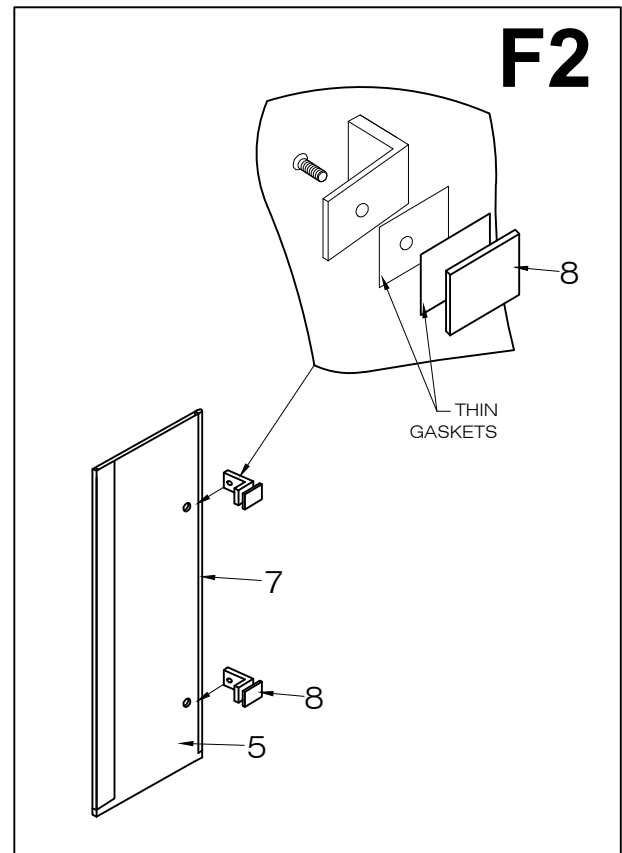


F. INSTALLING THE SIDE GLASS PANEL

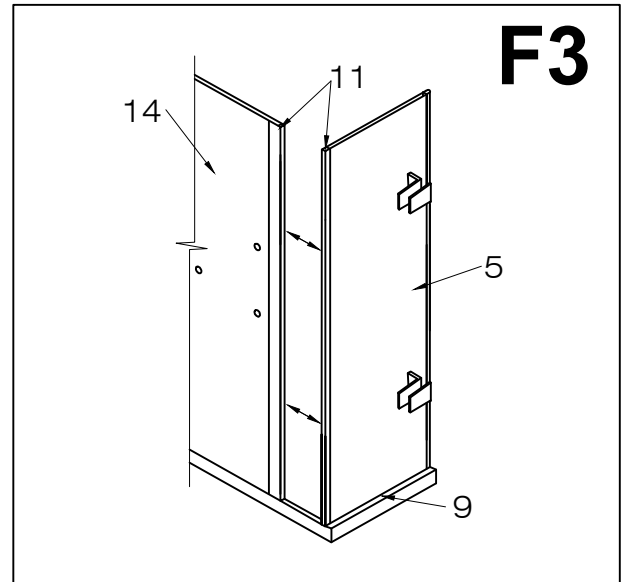
1. Install the side seal strip (#7) to the wall side of the side glass panel (#5). Install the magnetic side seal strip (#11) to the door side. The magnetic side should be facing the inside and the clear side be facing the outside. Be sure to place the seal strip (#7) 10mm from the bottom of the glass. Installing the magnetic seal strip prior to locating the place for the glass support allows for proper seal. You may need to adjust the magnetic seal strip placement after full install to guarantee proper placement on the top of the corner joint. It should rest tight on the corner joint in order to prevent water leakage.



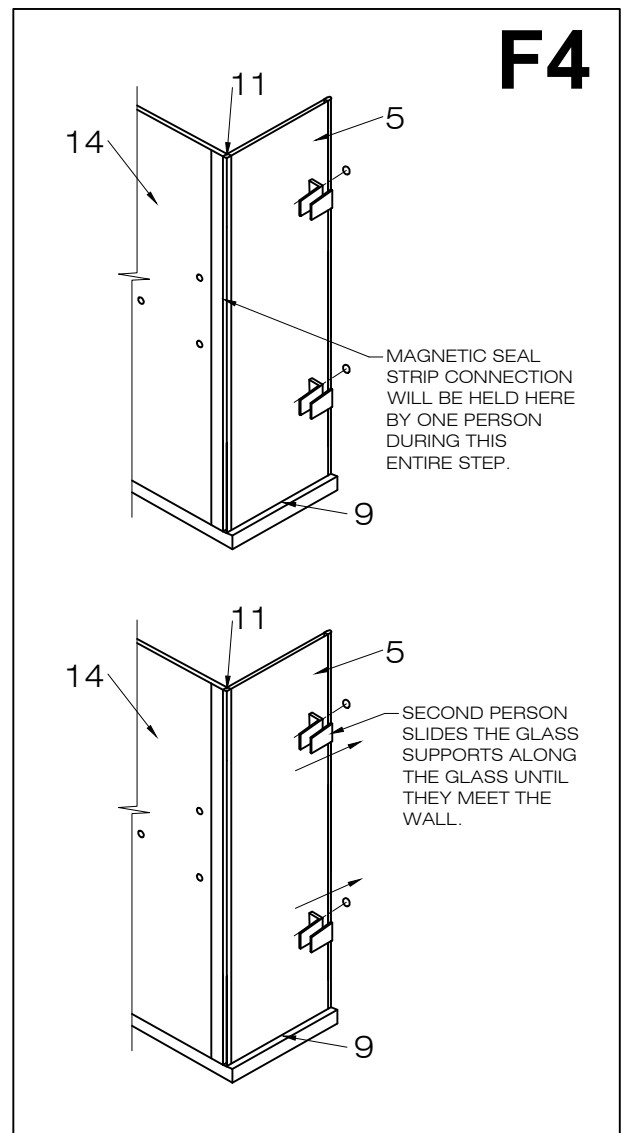
2. Screw in the glass support (#8) to the side glass panel (#5) using the hex key (supplied). Be sure to use gaskets on both sides of the panel. **⚠ Do not completely tighten. Leave rather loose so they can slide on the glass panel**



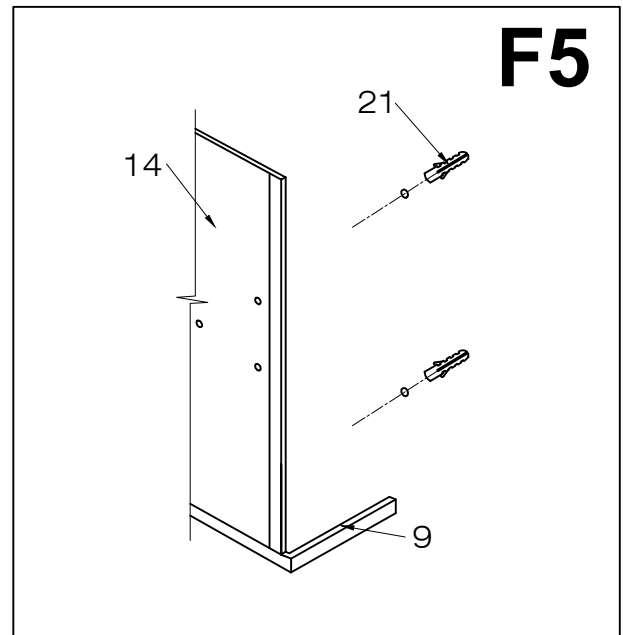
- Place the side glass panel (#5) into the bottom rail (#9). Connect the side glass panel (#5) to the door (#14) by the magnetic seal strips (#11).



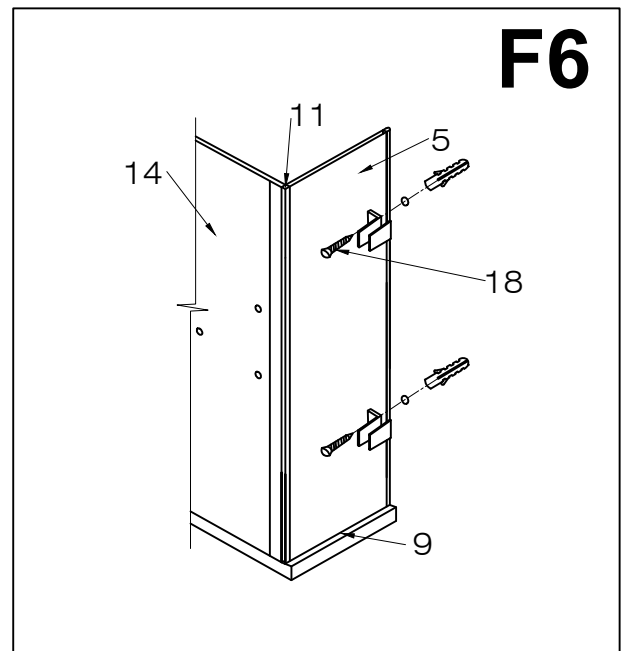
- One person must hold the connection at the magnetic seal strips (#11) in place. The other person, with the glass supports loose on the glass, will slide the supports along the glass to the wall and mark holes on the wall for the mounting screws.



5. Remove the side glass panel. Drill holes into respective marks and insert plastic anchors (#21) inside them. **⚠ Not necessary if installing into studs. Studs are the preferred means of installation, anchors can pull out of the wall causing property damage and bodily harm.**

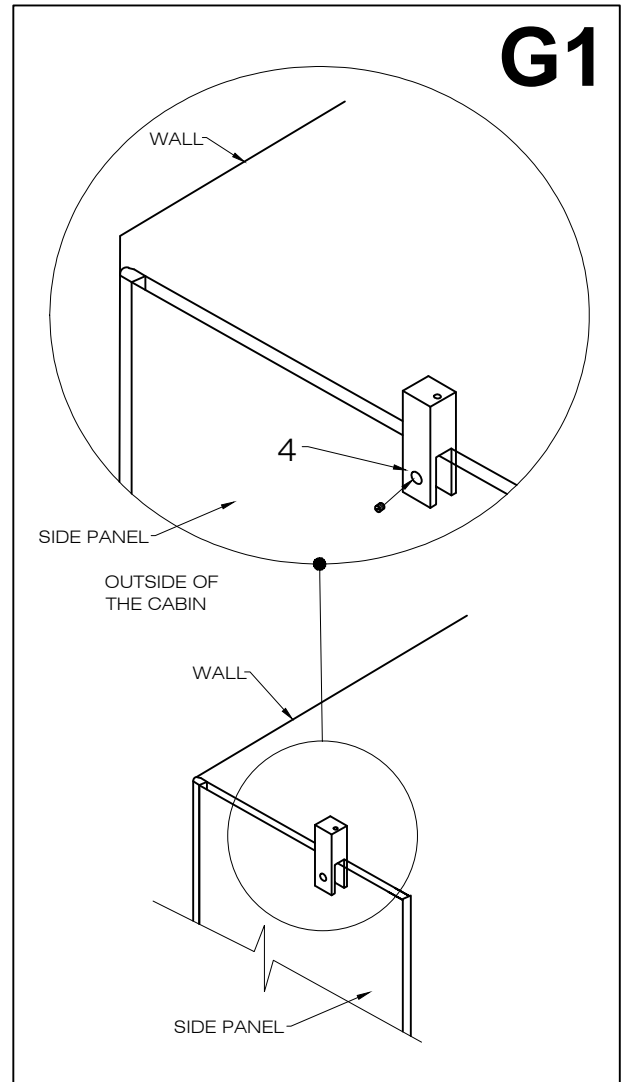


6. Replace the side glass panel (#5) back into the bottom rail and screw it to the wall with 1 5/8" screws (#18). Tighten the glass supports to the side glass panel. **NOTE: One person should be holding the side panel and door panel closed (with the magnetic seal strips on) while the other person screws in the glass supports. This will ensure a proper seal. If the door and side panel pull away at the seal, then it is recommended to modify the position of the glass supports along the glass or thickness of gaskets between the wall and glass support. This is done by adding or removing the clear PVC gaskets and sliding the glass support, in a perpendicular direction closer or further from the wall.**

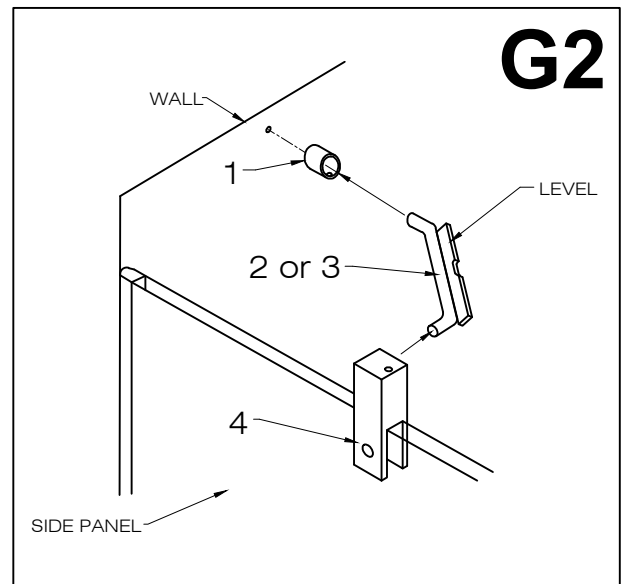


G. INSTALLING THE SIDE & FRONT PANEL SUPPORT

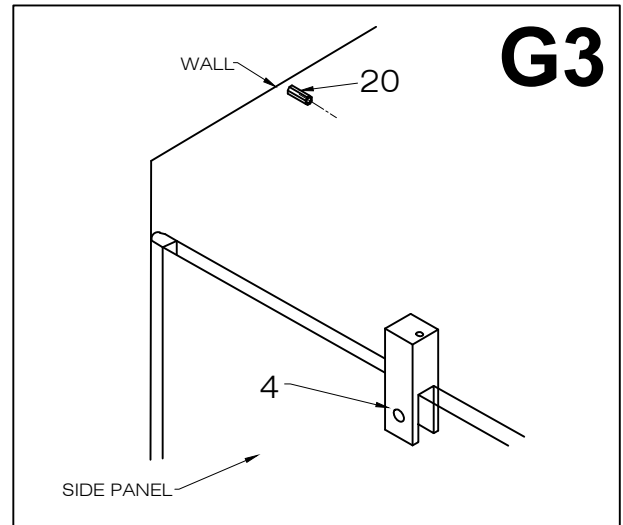
1. Install the support assembly (#4) onto the side glass panel (#5) approximately two-thirds away from the wall. Be sure to use gaskets on both sides of the panel. Use hex key to tighten to screws.



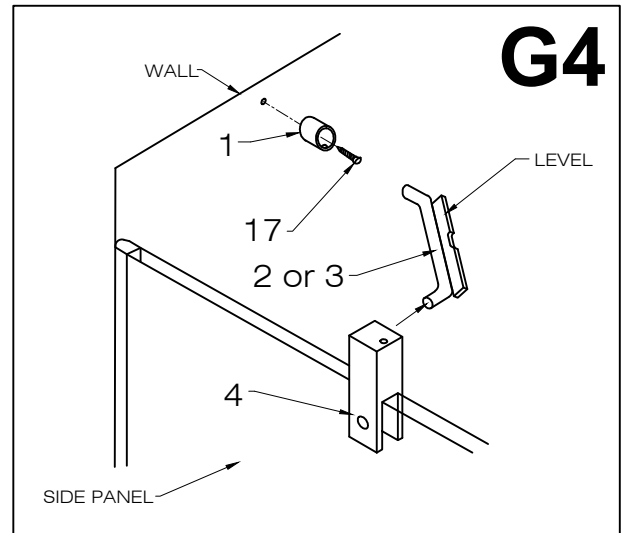
2. Install the support assembly to the longer structural arm (#2) and wall connector (#1). Make sure it's level. Mark the hole on the wall for the mounting screw for the wall connector.



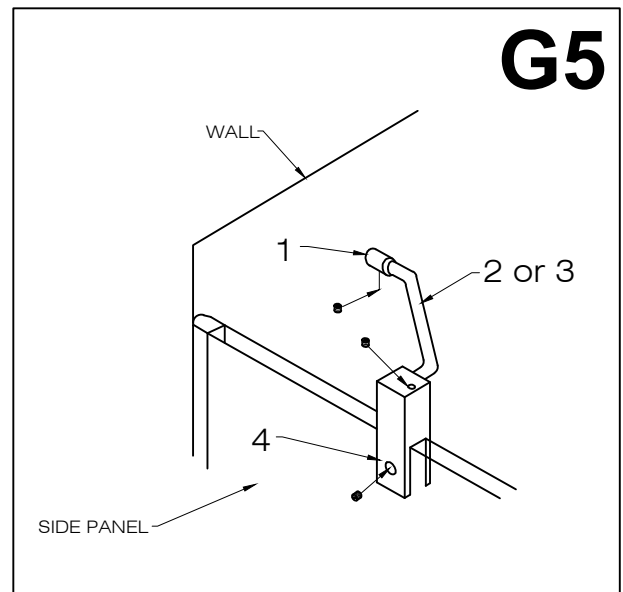
3. Remove the support assembly. Drill a hole into the respective mark and put a plastic anchor (#20) in it. **⚠ Not necessary if installing into studs.**



4. Replace wall connector to proper position. Screw it in to the wall with 1 1/8" screws (#17).



5. Slide the structural arm (#2) into the wall connector (#1). Tighten all set screws. Repeat steps 1 through 5 to install the other support assembly to the front fixed panel (#6) with the shorter structural arm (#3).

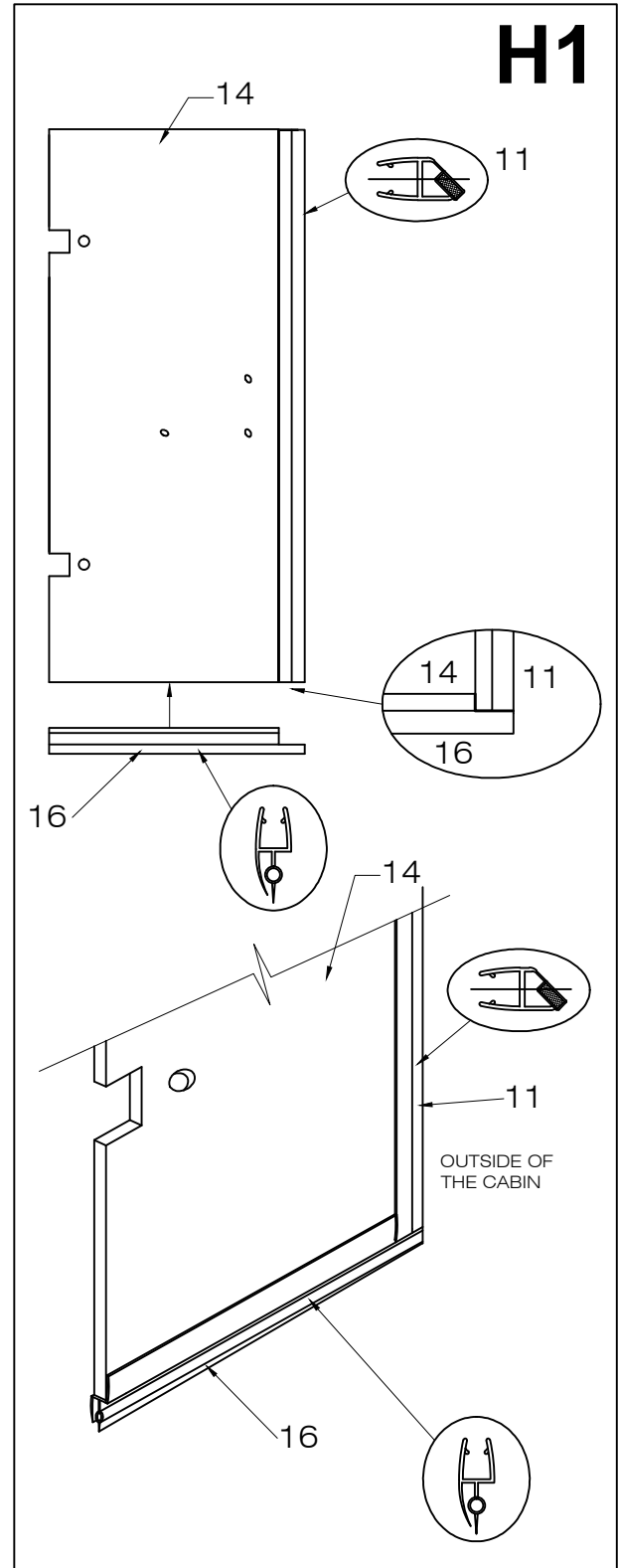


H. INSTALLING PRE-CUT BOTTOM DOOR SEAL STRIP

1. Clean the door glass panel (#14) edge where the door bottom side seal strip (#16) is to be installed with rubbing alcohol. Verify that the soft flange of the seal strip faces toward the inside of the shower cabin before seal strip installation. Install the seal strip according to the diagram.

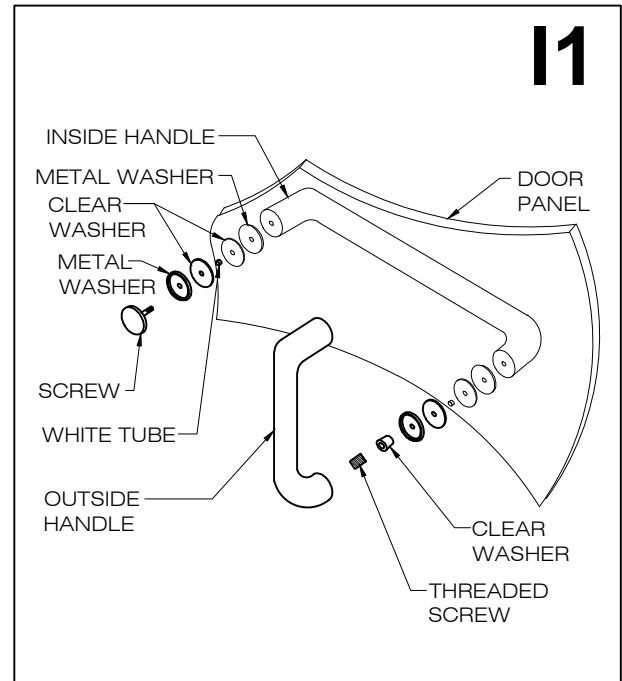
NOTES:

1. If the seal strip is not flat, use a hair dryer to apply minimal heat and press the seal strip back into position.
2. Adjust the magnetic seal strips (#11) to the correct height over the corner joint and cut to the needed height at the top of the panels.



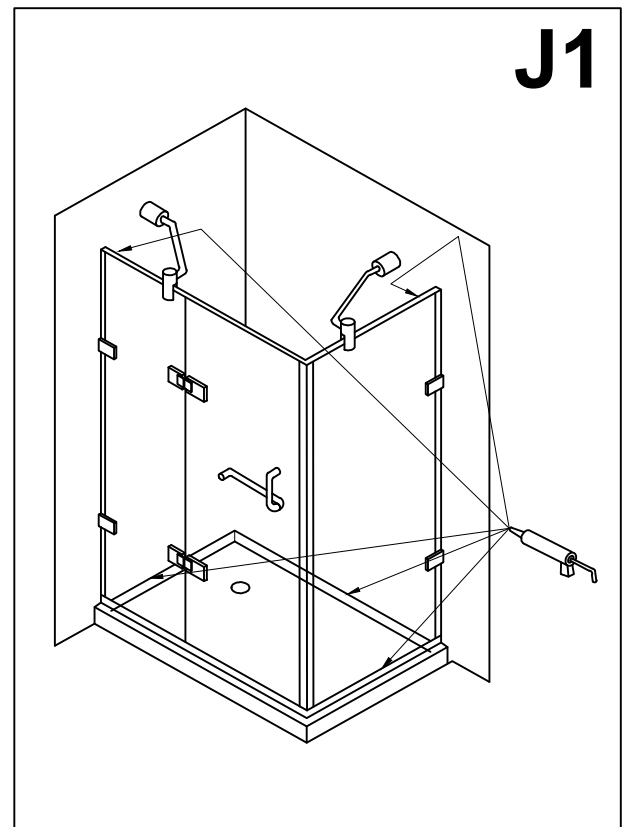
I. INSTALLING THE HANDLE

1. Assemble the door handles (#13) to the door (#14).

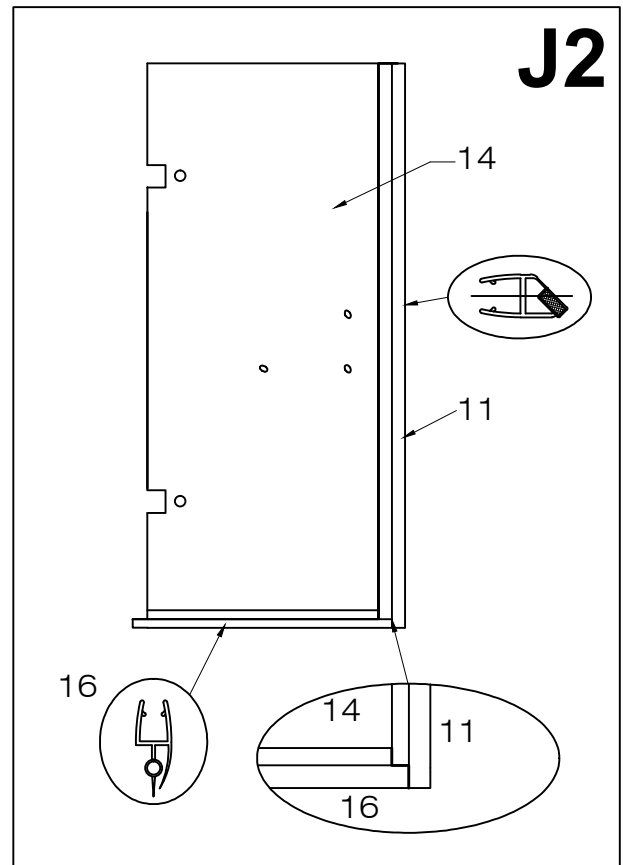


J. APPLYING THE SILICONE

1. Apply clear silicone caulking to the inside between the wall and side seal strip. Repeat for the other side. Apply clear silicone caulking to the inside between the side panel bottom and the bottom rail. Apply clear silicone caulking around the inside perimeter of the bottom rail. Apply silicone where the corner joints meet the base rails.

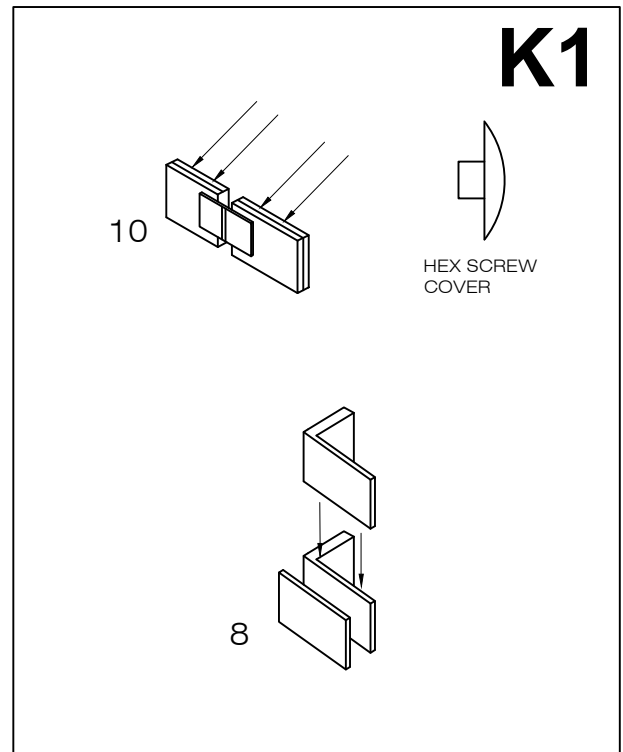


2. Apply clear silicone caulk to the seal strip connections of the door bottom seal strip and the door magnetic seal strip.



K. INSTALLING HEX SCREW AND GLASS SUPPORT COVERS

1. Install hex screw covers (#22) to the hex screws that mount the hinges (#10). Slide the glass support covers down onto the glass supports (#8).



⚠ IMPORTANT

- WAIT 24 HOURS BEFORE USING SHOWER
- DO NOT ALLOW WATER TO DIRECTLY HIT DOOR SEAL STRIPS.

CLEANING INSTRUCTIONS FOR THE SHOWER CABIN AND DOOR PANEL

1. Use a mild liquid household cleaner to keep metal surfaces bright and clean. Rinse well and dry with a soft, clean cloth.
2. Remove dust with a soft, damp cloth.
3. Use a standard household window cleaner to clean the glass panels.
4. A water beading treatment, similar to what you would use on an automobile windshield, can be used on the inside of the glass to keep it looking brand new.
5. Use rubbing alcohol to clean and remove grease, oil, paint and ink.
6. Should you accidentally scratch or stain your shower enclosure, use a liquid automobile polish to remove.

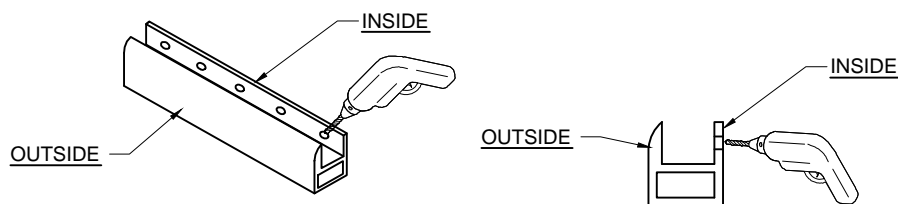
⚠ IMPORTANT

1. DO NOT use abrasive cleaners, scrapers, metal brushes or any items that could scratch or dull the surface.
2. DO NOT allow surface to come in contact with acetone (nail polish remover), dry cleaning solution, lacquer thinner, gasoline or other similar products.

REGULAR CARE AND MAINTENANCE OF YOUR VIGO SHOWER ENCLOSURE

Your home is a moving entity, shifting and settling over time. Vigo understands this and has designed their shower enclosures with this in mind. It is the responsibility of the homeowner or end user to maintain the integrity of their newly installed enclosure, using the integrated adjustability features. In order to keep your shower enclosure in optimal working condition, Vigo recommends regularly inspecting your enclosure and tightening any hardware that may have loosened during use. This simple step will insure optimal results from your Vigo shower enclosure for many years to come.

If you are experiencing water build up in the top portion of the rail, it is recommended to drill small holes on the top inside portion. Space holes every 6"-8". Stay within 3" from the end of the rail.



VIGO INDUSTRIES, LLC ("VIGO")
SHOWER ENCLOSURE LIMITED LIFETIME WARRANTY

EFFECTIVE JANUARY 1, 2010

VIGO offers the following limited warranty on each of its Shower Enclosure products* (the "Product") and the components thereof. This warranty extends only to the original owner or end-user for personal household use. For commercial uses, additional limitations apply.

VIGO warrants the structural glass component of the Product to be free from defects in workmanship and materials under normal use and service for the period commencing from the initial date of purchase by the owner or end-user, contractor, or builder, from VIGO or an authorized VIGO dealer, through the lifetime of the original owner or end-user.

VIGO warrants the hardware components of the Product to be free from defects in workmanship and materials under normal use and service for a period of two (2) years from the initial date of purchase by the owner or end-user, contractor, or builder, from VIGO or an authorized VIGO dealer.

VIGO warrants the seal strip components of the Product to be free from defects in workmanship and materials under normal use and service for a period of one (1) year from the initial date of purchase by the owner or end-user, contractor, or builder, from VIGO or an authorized VIGO dealer.

Subject to the Warranty Service provision below, any product reported to the authorized dealer or to VIGO as being defective within the warranty period will be repaired or replaced (with a product of equal value) at the option of VIGO. This warranty extends to the original owner or end-user and is not transferable to a subsequent owner.

Neither the distributor, authorized VIGO dealer, nor any other person has been authorized to make any affirmation, representation, or warranty other than those contained in this warranty. Any affirmation, representation, or warranty other than those contained in this warranty shall not be enforceable against VIGO or any other person.

VIGO reserves the right to modify this warranty at any time, it being understood that such modifications will not alter the warranty conditions applicable at the time of sale of the products in question.

Limitations

This warranty shall not apply to instances of incorrect operating procedures, breakages, or damages caused by fault through improper installation, carelessness, abuse, misuse, misapplication, improper maintenance, or alteration of the Product, as well as chemical or natural corrosion, accident, fire, flood, an act of God, or any other casualty. Avoid abrasive cleaners, steel wools, and harsh chemicals as these will scratch, damage, and / or dull the product and / or finish and void this warranty. The owner/end-user of the Product covered by the present warranty is entirely responsible for its proper installation and any applicable plumbing or electrical wiring. VIGO neither installs nor supervises the installation nor hires a contractor for this purpose; consequently, VIGO cannot be held responsible for any default, breakage, or damages caused thereby or resulting thereof, either directly or indirectly.

The owner/end-user must provide access to the components of the Product as described in the installation guide so that VIGO can execute the warranty specified herein. If such access is not available, all expenses to provide said access will be the responsibility of the owner/end-user.

This warranty does not apply to Products that have not been installed or operated in accordance with instructions supplied by VIGO and all applicable rules, regulations, and legislation pertaining to such installations.

This warranty does not apply unless the VIGO Product is installed by fully insured licensed professionals. VIGO strongly recommends that such licensed professionals have experience in the installation of bathroom and kitchen products. Installation of certain products, including, without limitation, glass products (i.e., shower doors and glass sinks) by an inexperienced person may result in glass breakage and, consequently, cause personal injury or death.

VIGO is not liable for personal injuries or deaths to any persons or for any direct, special, incidental, or consequential damage, loss of time, loss of profits, inconvenience, incidental expenses, labor or material charges, or any other costs resulting from the use of the product or equipment or pertaining to the application of the present warranty, or resulting from the removal or replacement of any product or element or part covered by this warranty.

EXCEPT AS OTHERWISE PROVIDED ABOVE, VIGO MAKES NO WARRANTIES, EXPRESSED OR IMPLIED, INCLUDING WARRANTIES OF MERCHANTABILITY AND FITNESS FOR A PARTICULAR PURPOSE OR COMPLIANCE WITH ANY CODE.

In any case, VIGO cannot be held liable for any amount over and above the purchase price paid for the Product by the owner/end-user, contractor, or builder.

Commercial Limitations

In addition to the above conditions and limitations, the warranty period for products installed for commercial applications or used in commercial ventures is one (1) year from the initial date of purchase by the owner/end-user, contractor, or builder from an authorized dealer. VIGO is not responsible for loss of use or profit under any circumstances. If the product is used as a display, the warranty period begins when the product is placed on display. This warranty gives the owner/end-user specific legal rights. The owner/end-user may also have other rights which can vary from one state or province to another.

Warranty Service

In order to obtain service provided under this warranty during regular business hours, contact the dealer or distributor who sold the unit, or contact VIGO directly. VIGO will provide the warranty service described above when the following conditions have been met: the failure is of the nature or type covered by the warranty; the user has informed an authorized VIGO Agent or VIGO's warranty service department representative of the nature of the problem during the warranty period; conclusive evidence (e.g., proof of purchase or installation) is provided to the foregoing by the user proving that the failure occurred or was discovered within the warranty period; an authorized independent service person or company representative has been permitted to inspect the product during regular business hours within a reasonable time after the problem was reported by the user. VIGO's warranty obligation shall be discharged upon tender of replacement or repair. The customer's refusal to accept the tender terminates VIGO's warranty obligations.

*Certain models are pending approval.

Certification may be ended by VIGO or certification agencies without notice.