

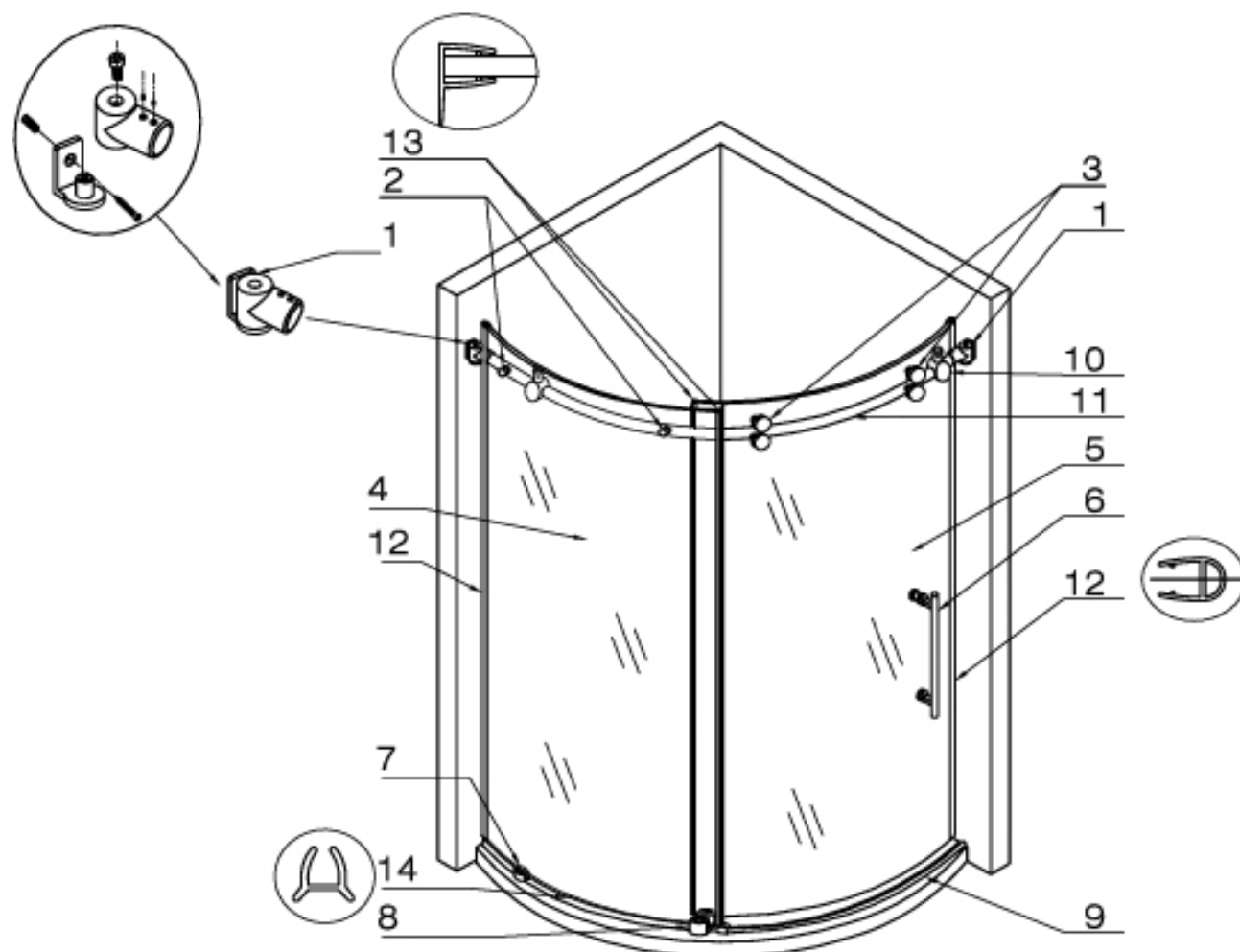
INSTALLATION INSTRUCTIONS FOR SHOWER ENCLOSURE

OWNER'S MANUAL

PLEASE READ INSTRUCTIONS BEFORE PROCEEDING

Packing List












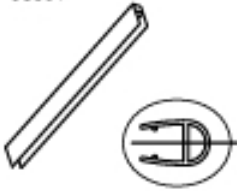





1. Wall mount brackets (2pc)
2. Fixed panel holders (2pc)
3. Rollers (4pc)
4. Fixed panel (1pc)
5. Door (1pc)
6. Handle assembly (1pc)
7. Fixed panel bottom clip (1 pc)
8. Bottom door guide (1 pc)
9. Door threshold (1pc)
10. Door stopper (2pc)
11. Structural rail (1pc)
12. Side seal strip (2pc)
13. Door seal strip (2pc + 1 extra)
14. Door bottom seal strip (1pc)
15. Phillips screws 1 1/8" (2pc)
16. Phillips screws 2" (3pc)
17. Plastic anchors (5pc)



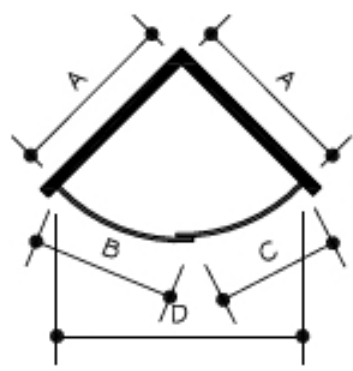
GLASS THICKNESS 5/16"

NOTE: INSTALLATION MUST BE DONE BY A QUALIFIED, LICENSED PROFESSIONAL

MODEL VG06031

| | | | | |
|---|---|---|---|---|
| <p>1. WALL MOUNT BRACKET ASSEMBLY 98018</p>  | <p>2. FIXED PANEL HOLDER 98026</p>  | <p>3. ROLLERS 98020</p>  | <p>4. FIXED PANEL 97017-36</p>  | <p>5. DOOR 97018</p>  |
| <p>6. HANDLE ASSEMBLY 98021</p>  | <p>7. FIXED PANEL BOTTOM CLIP 98029</p>  | <p>8. BOTTOM DOOR GUIDE 98030</p>  | <p>9. DOOR THRESHOLD 95007-36 95007-40</p>  | <p>10. DOOR STOPPER 98024</p>  |
| <p>11. STRUCTURAL RAIL 98030-36 98030-40</p>  | <p>12. SIDE SEAL STRIP 98001</p>  | <p>13. DOOR SEAL STRIP 98013</p>  | <p>14. DOOR BOTTOM SEAL STRIP 98014</p>  | <p>15. PHILLIPS SCREW 1 1/8"</p>  |
| <p>16. PHILLIPS SCREW 2"</p>  | <p>17. PLASTIC ANCHORS</p>  | | | |

| LIST DIMENSIONS | DIM. 'A' | DIM. 'B' | DIM. 'C' | DIM. 'D' | HEIGHT |
|-----------------|----------|----------|----------|----------|--------|
| 36X36 | 33 7/8" | 34 1/8" | 34 1/4" | 47 1/4" | 74" |
| 40X40 | 36 5/8" | 36 1/2" | 36 5/8" | 51 1/4" | 74" |



MODEL VG06031

BEFORE STARTING

Upon receipt, verify if your shower enclosure is in good condition and make sure that all parts are included in the hardware bag. If you are missing a part, please contact your distributor immediately.

REQUIRED EQUIPMENT:

- Square and/or Phillips #1 and #2 screwdriver
- Flat head screwdriver
- Electric drill; 1/8", 3/16" or 7/32" drill bit (According to wall)
- Level
- Measuring tape
- Non permanent pencil (HB)
- Clear silicone caulking
- Utility knife; Hacksaw

WARNING:

Fragile items should be handled with care.

For optimum operation, it is important that the shower door be installed perfectly level on a leveled surface.

During installation, protect the bottom of the shower cabin with a cardboard protector as this will prevent damaging the finish.

The glass on panels and doors is tempered glass and must never be cut.

SPECIAL INSTRUCTION

Fiberglass or acrylic construction may not be of sufficient strength to support your shower door enclosure. To provide for a secure mounting of the door it is important that you use wood framing behind the face edge of your stall. Apply silicone between walls and base of stall.

To facilitate the installation, it is recommended that the door unit be installed with the assistance of a second person.

IMPORTANT: VG06031 HAS A REVERSIBLE DOOR AND CAN BE INSTALLED TO THE RIGHT OR LEFT SIDE (SEE CONFIGURATION DIAGRAM BELOW)

INSTALLATION INSTRUCTION

BEFORE INSTALLATION: If needed, remove the plastic layer of the base border. Do not remove the plastic layer off the plastic platform of the base. Wall and base joints must be silicone properly.

See suggestion of configuration below.

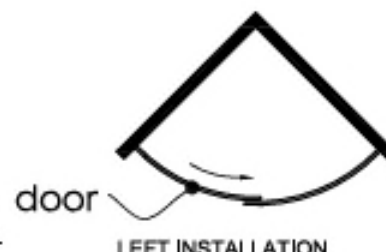
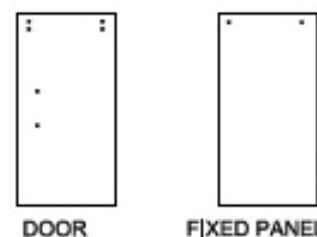
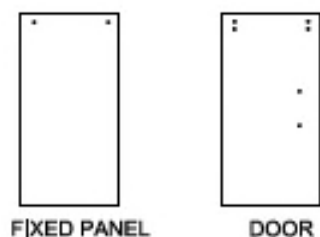


FIG. 1A (GLASS CONFIGURATION DIAGRAM)

MODEL VG06031

STEP 1: PRE- INSTALLATION

1. Due to individual site variations, exact guidelines for every situation cannot be supplied. The recommended framing and dimensional requirements shown are for a typical application and may vary depending on the site requirements.
2. Your shower enclosure should be installed in a leveled wall opening.
3. Ensure that there is sufficient structural support behind your shower wall to bare the weight of the door. If such is not the case, then prior to the installation of your shower wall you will need to reinforce the walls with wooden studs.
4. Make sure the overall size of the opening is appropriate for the shower enclosure. If necessary cut structural rail to match the length of the opening (see diagram on page 3).

STEP 2: FIXED PANEL INSTALLATION

1. Arrange the glass according to the configuration – see FIG. 1A, Page 3.
2. Slide door stoppers (10) to the structural rail (11) - see FIG. 2.
3. Place the seal strip (12) from the wall side of the fixed panel (4). See FIG.3.
4. Place structural rail (11) inside the wall mount bracket (1). Tighten two hex screws on the bracket. See FIG. 4, page 5. Repeat this step for another bracket.
5. Screw fixed panel (4) to the structural rail (11) with fixed panel holders (2), (FIG. 4, page 5).
7. Place fixed panel (4) with structural rail (11) in desired position. Use level to position it correctly, (FIG.5, page 5).
8. Holding fixed panel (4) in vertical position place fixed panel bottom clip (7) and bottom door guide (8) under the fixed panel, (FIG.5, page 5).
9. Mark location of the wall mount bracket (1) on the wall.
10. Mark location of the fixed panel bottom clip (7) and bottom door guide (8) on the floor.
11. Remove front fixed panel (4) from the position in the opening.
12. Use the hex key to unscrew plate from wall mount bracket body (screw located on the top of the bracket).
13. Place wall mount bracket plate to the wall. Mark holes on the wall for mounting screw. Drill hole, place anchor inside.
14. Place wall mount bracket plate (1) to the wall and screw plate with 2" screw (16).
15. Mark holes on the floor for fixed panel bottom clip (7) and bottom door guide (8).
16. Remove fixed panel bottom clip (7) and bottom door guide (8) from the position on the floor, drill holes, place anchors inside.
17. Screw fixed panel bottom clip (7) and bottom door guide (8) to the floor with 1 1/8" screw (15).
18. Place side glass panel and structural rail back to the shower opening.
19. Screw wall mount bracket body (1) to the wall mount bracket plate with the hex screw from the top of the bracket.
20. Tighten two hex screw of the wall mount bracket body (1) to the structural rail, see FIG. 4.

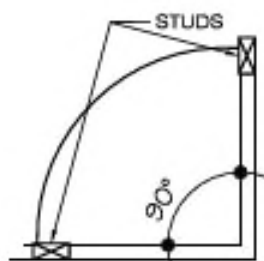


FIG.1

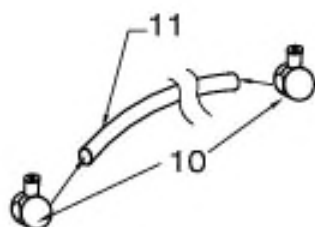


FIG. 2

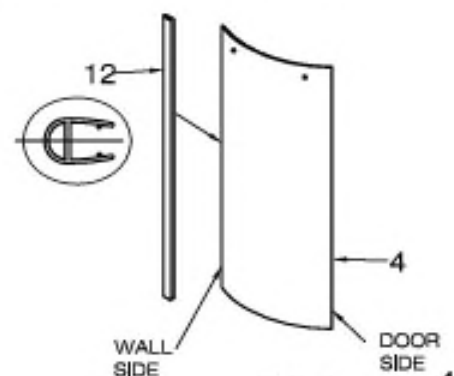


FIG. 3

MODEL VG06031

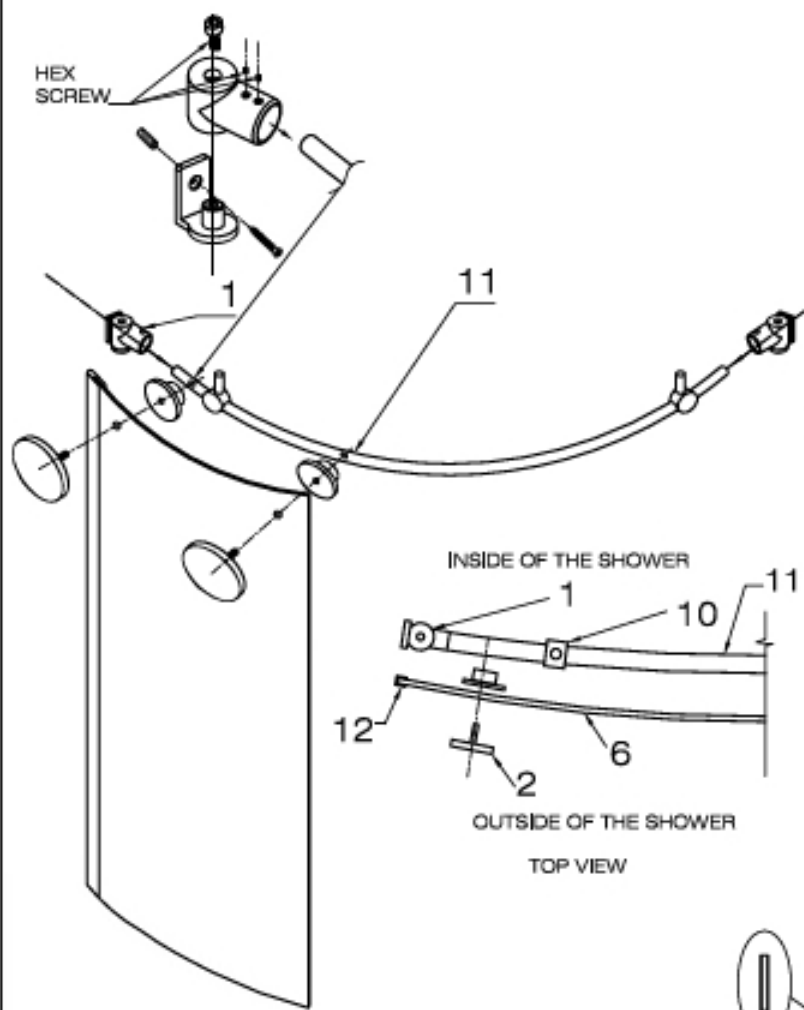


FIG. 4

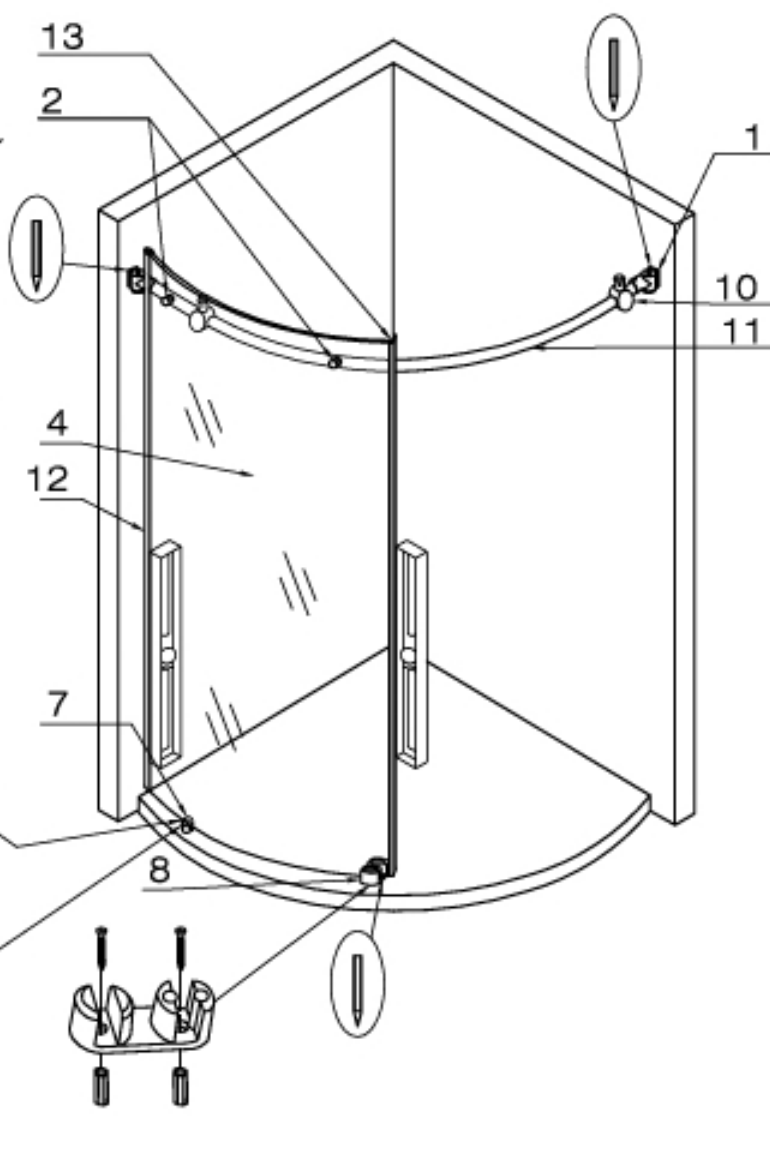
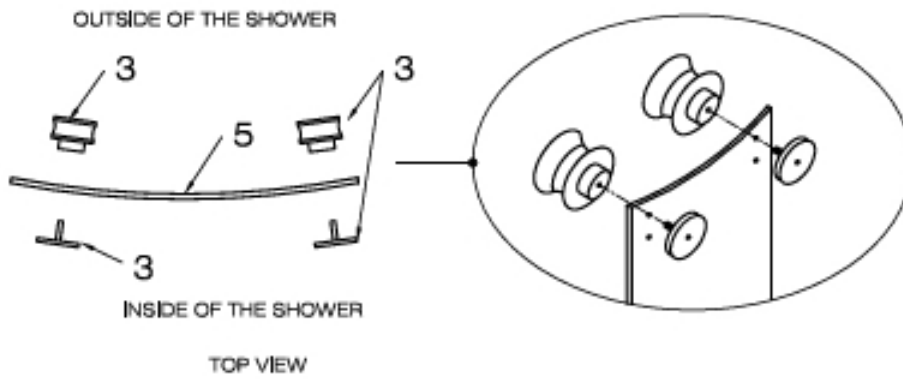


FIG. 5

STEP 3: DOOR INSTALLATION

1. Screw top rollers (3) to the door (5), see FIG. 6.
2. Place door (5) to the structural rail (11), see FIG. 7.
3. Screw bottom rollers (3) to the door (7), see FIG. 8.



TOP VIEW
FIG. 6

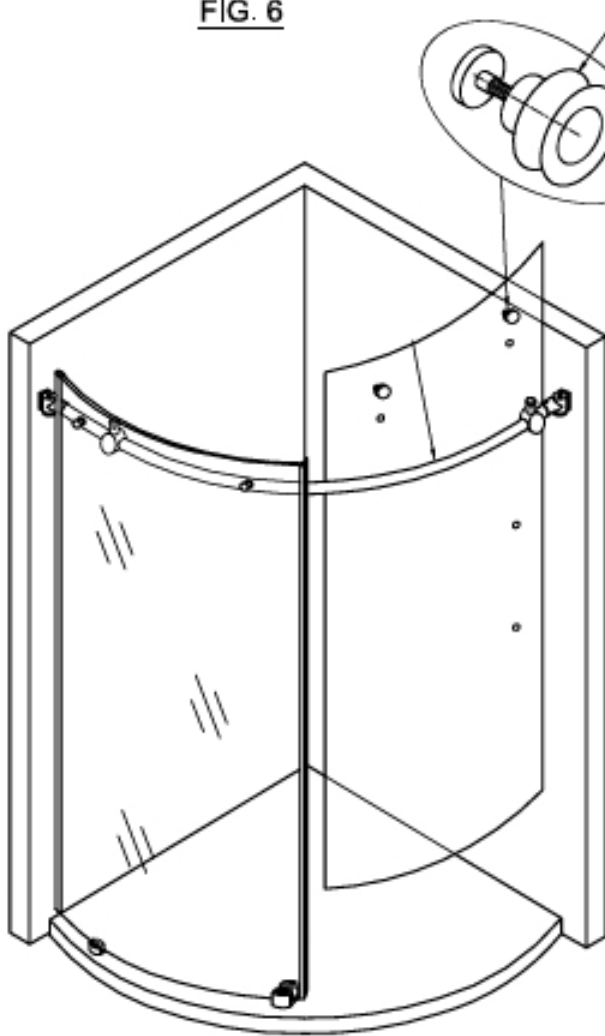


FIG. 7

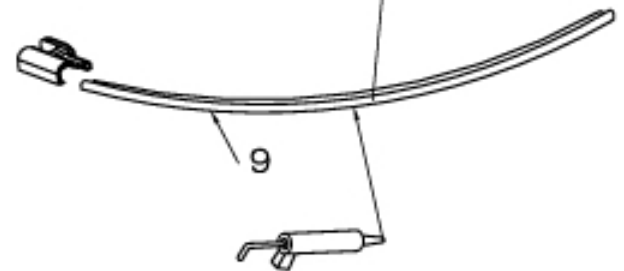
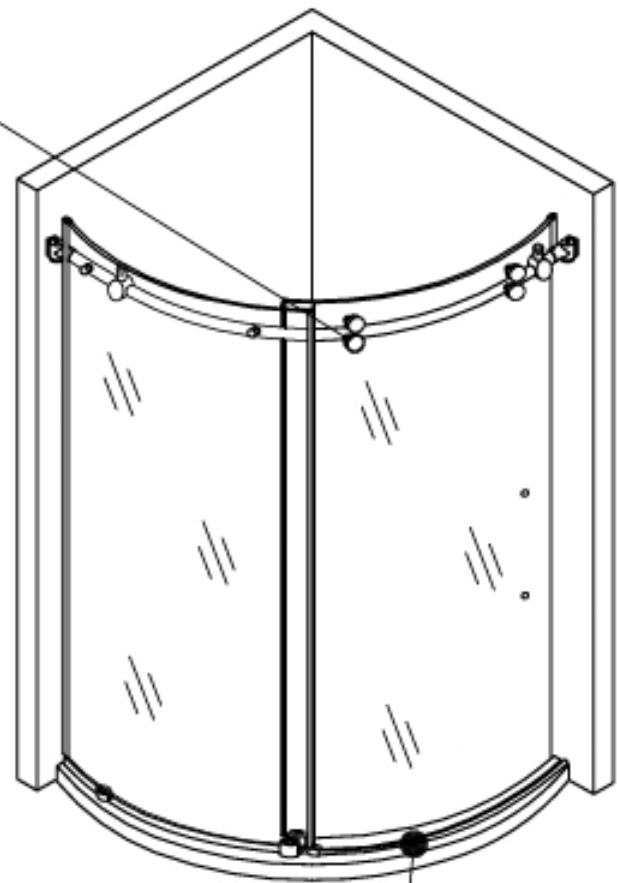


FIG. 8

STEP 4: THRESHOLD INSTALLATION

1. Seal bottom of end cup with clear silicon.
2. Seal bottom side of the threshold (9) with clear silicon.
3. Slide end cup to the fixed panel (4). Align threshold with the door and press down firmly.

STEP 5: HANDLE INSTALLATION

1. Unscrew handle holders from the handle (6).
2. Place handle to the position on the door with plastic washer on each side of the door (FIG. 9)
3. Tighten handle holders from inside of the shower.

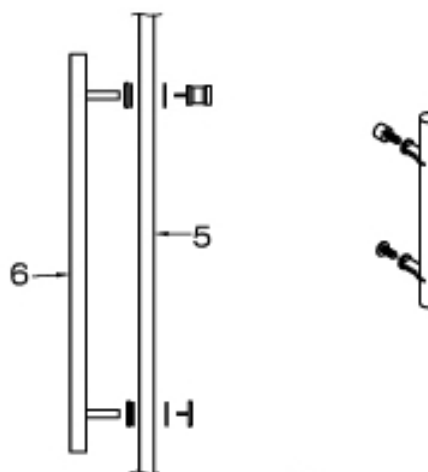


FIG. 9

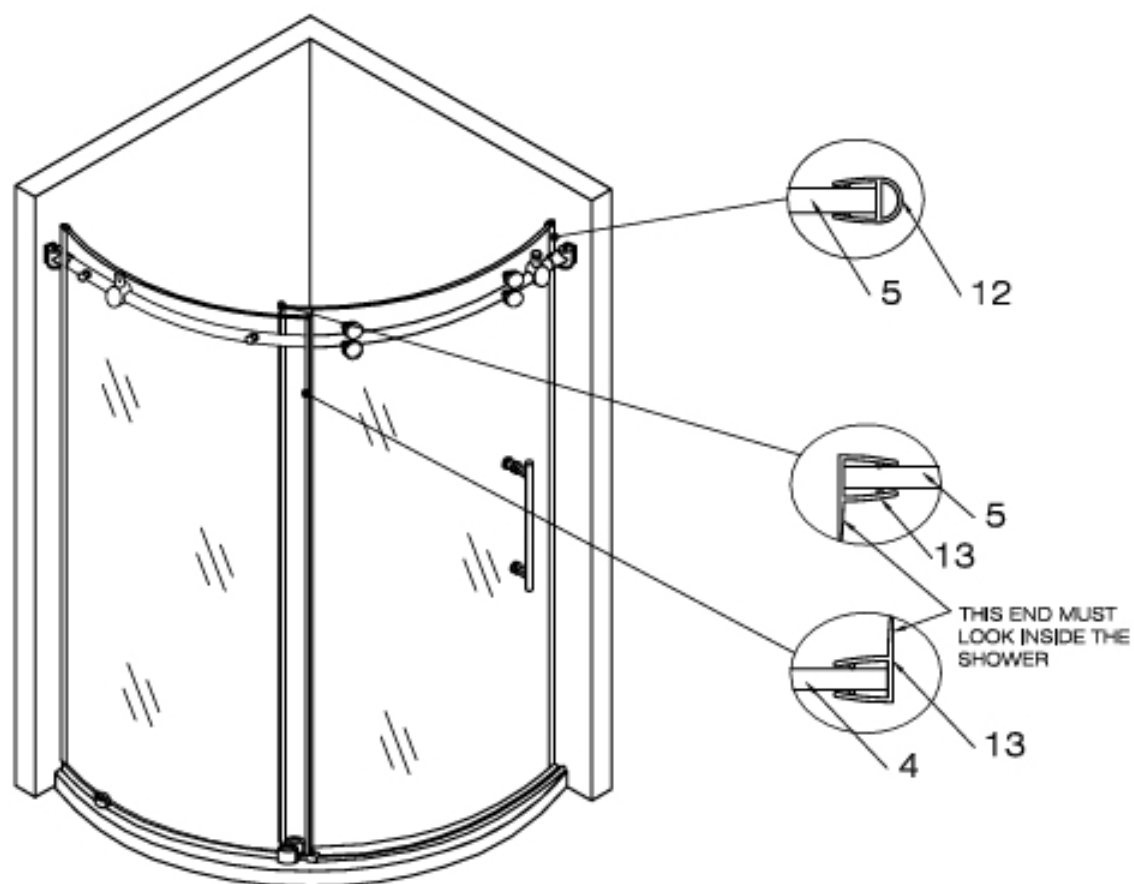
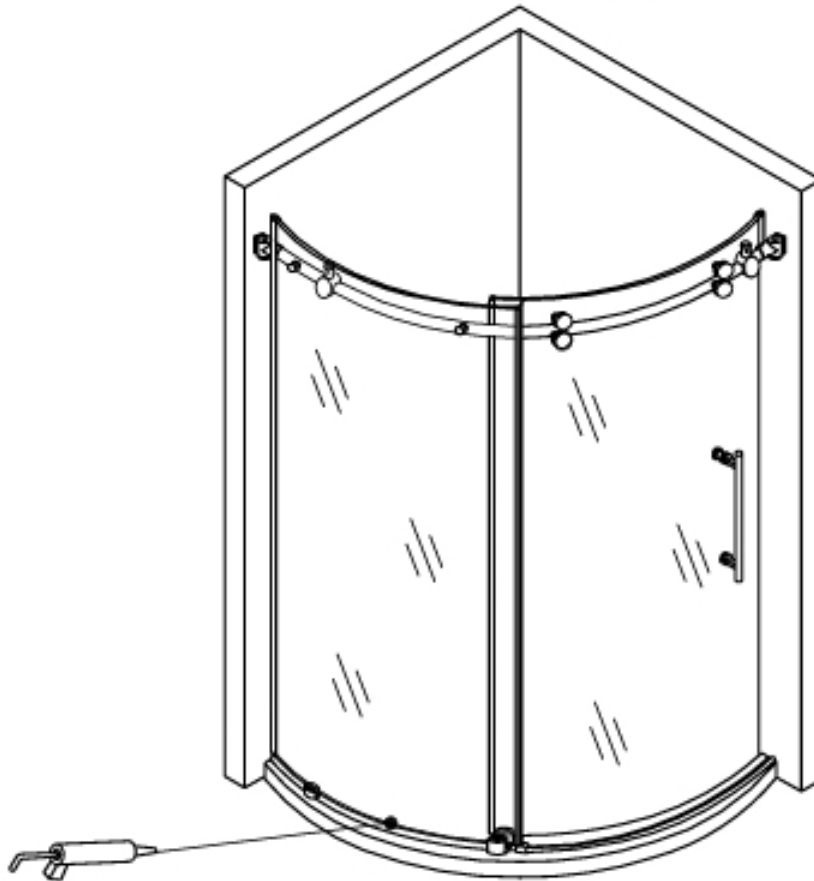


FIG. 10

STEP 6: SEAL STRIP INSTALLATION

1. Place seal strip to the door and to the glass, see FIG. 10, page 7.



STEP 7: SILICONE.

1. Apply silicone all along the wall and floor on the interior of the shower enclosure.

**NOTE: DO NOT ALLOW DIRECT WATER ONTO
DOOR SEAL STRIP.**

WAIT 24 HOURS BEFORE USING THE SHOWER.

CLEANING

- A. Mild liquid household cleaners will keep the metal surface bright and clean. Rinse well and dry with a clean cloth.
- B. **Do not use** abrasive cleaners, scrapers, metal brushes, or any items or products that could scratch or dull the surface.
- C. **Do not allow** the surface to come into contact with products such as acetone (nail polish remover), dry cleaning solution, lacquer thinner, gasoline, etc.
- D. Remove dust with a soft, damp cloth.
- E. Clean grease, oil, paint and ink with rubbing alcohol.
- F. Accidental scratches or stains will rarely show, and if they do they can be easily removed with a liquid automobile polish.