

MODEL VG-08001

CONTENT

PACKING LIST

PANEL DIMENSIONS

FITTINGS / TECHNICAL DATA

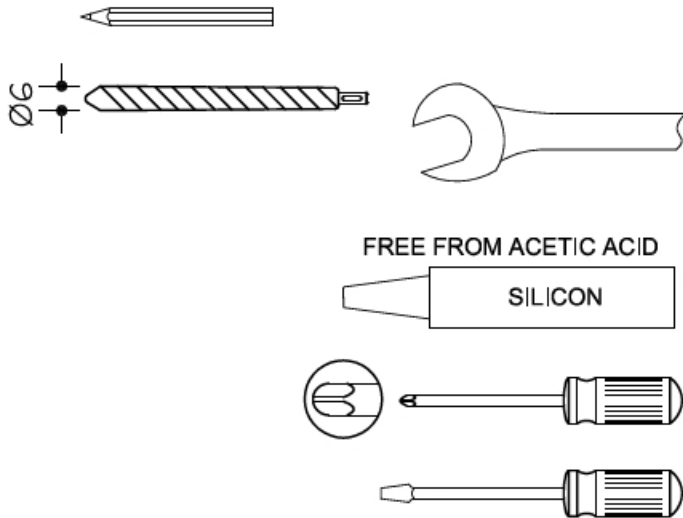
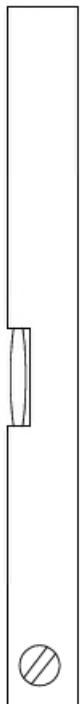
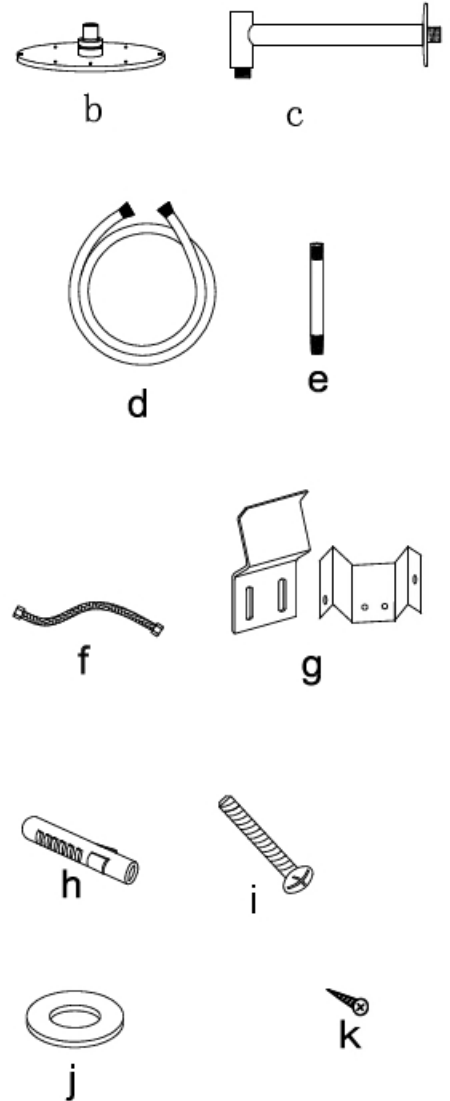
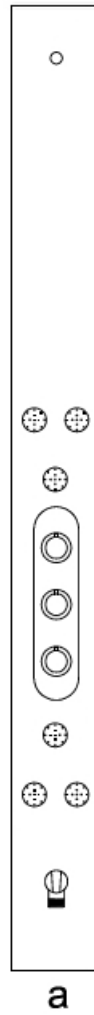
WALL/CORNER INSTALLATION

CARE AND TROUBLE SHOOTING

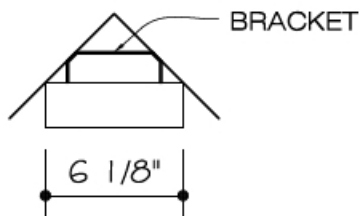
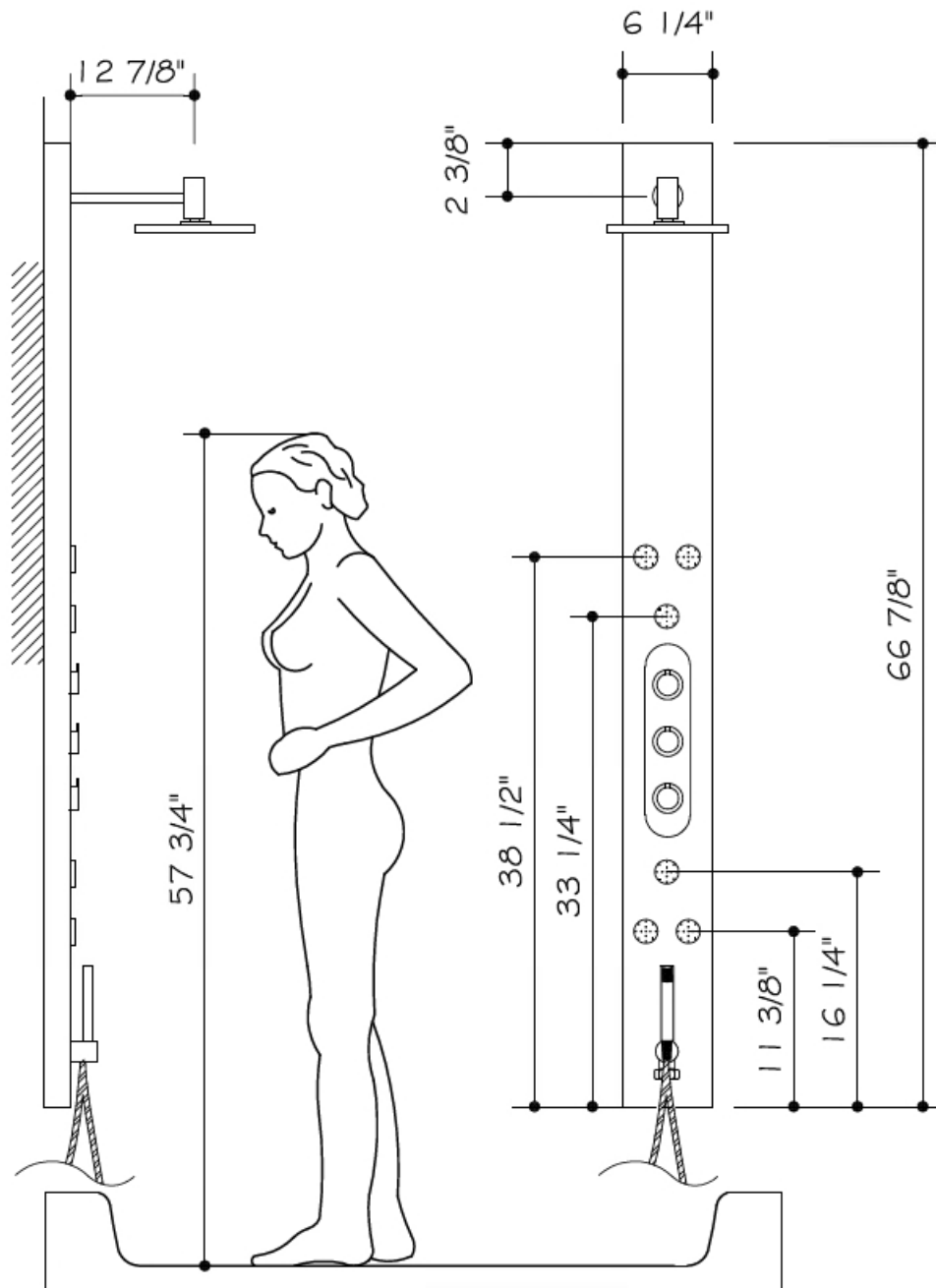
WARRANTY

PACKING LIST

- a. SHOWER PANEL
- b. HEAD SHOWER
- c. SHOWER ARM WITH COVER AND BRASS NUT
- d. HAND SHOWER HOSE
- e. HAND SHOWER
- f. FLEXIBLE HOSES 16" LONG FOR HOT & COLD WATER SUPPLY
- g. WALL & CORNER MOUNTING BRACKETS
- h. FIXING PLUGS -6 PC
- i. SCREWS WITH NUTS AND WASHERS -4 PC (5/8" SCREW)
- j. BLACK WASHERS -4 PC
- k. THREADED SCREW -6PC (1 3/4")

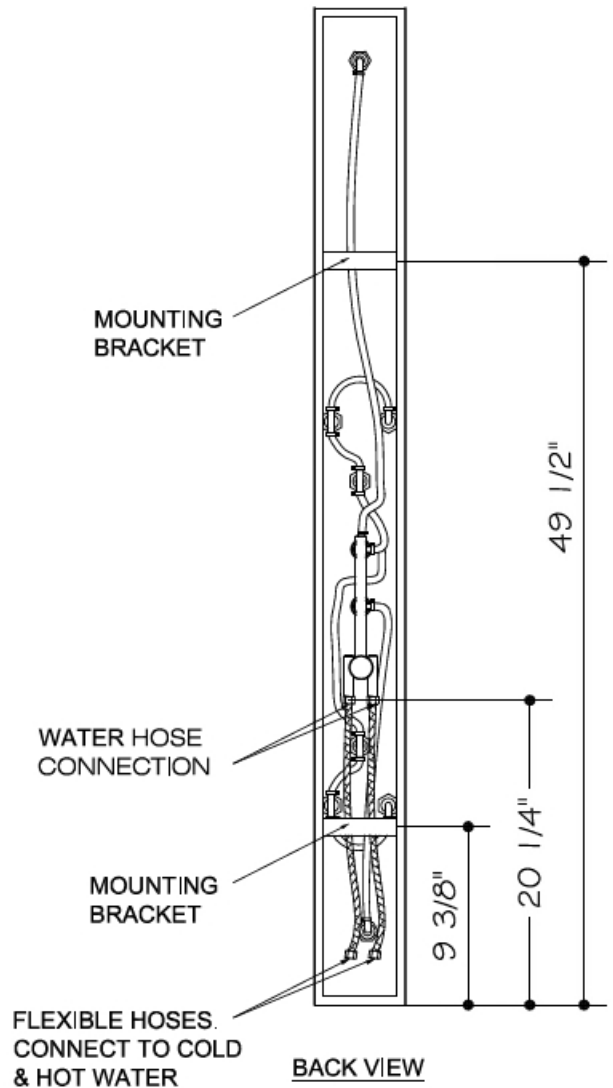
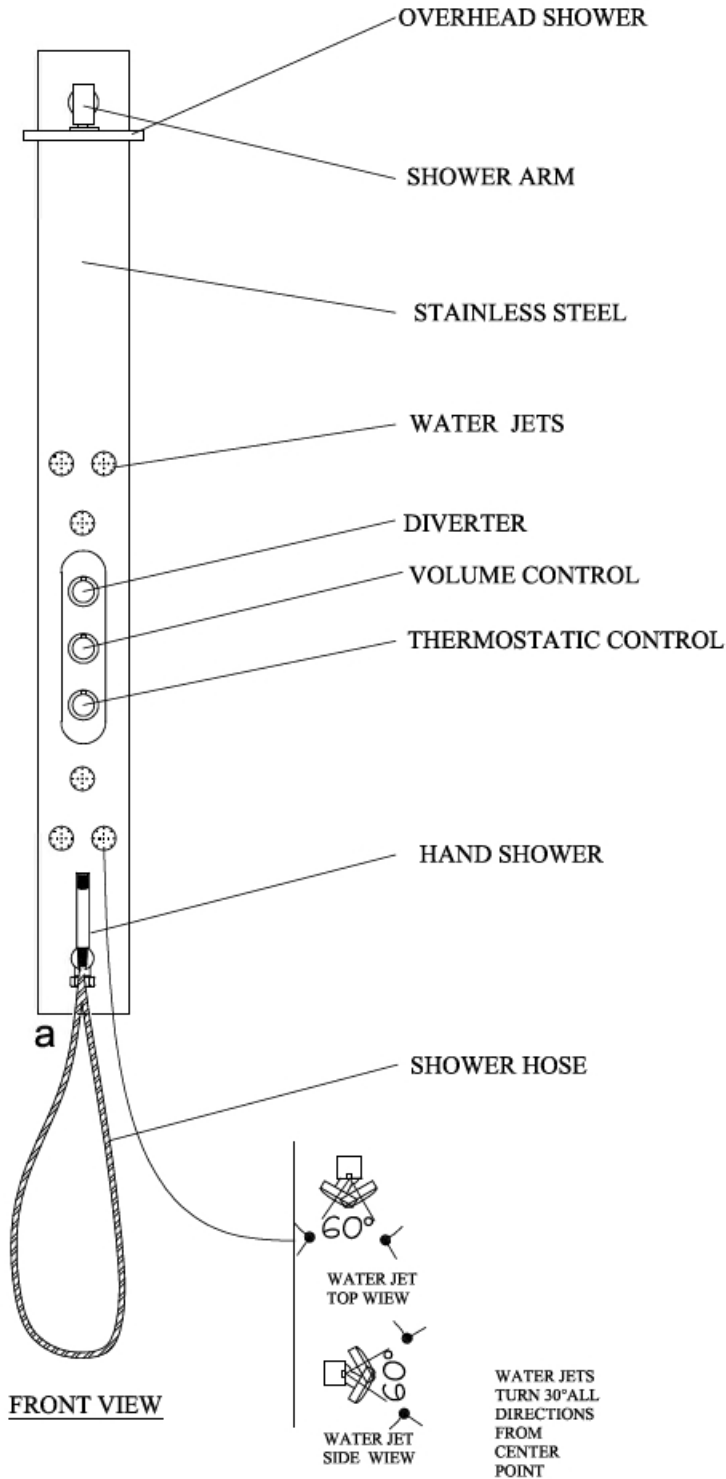


PANEL DIMENSIONS



MODEL VG-08001

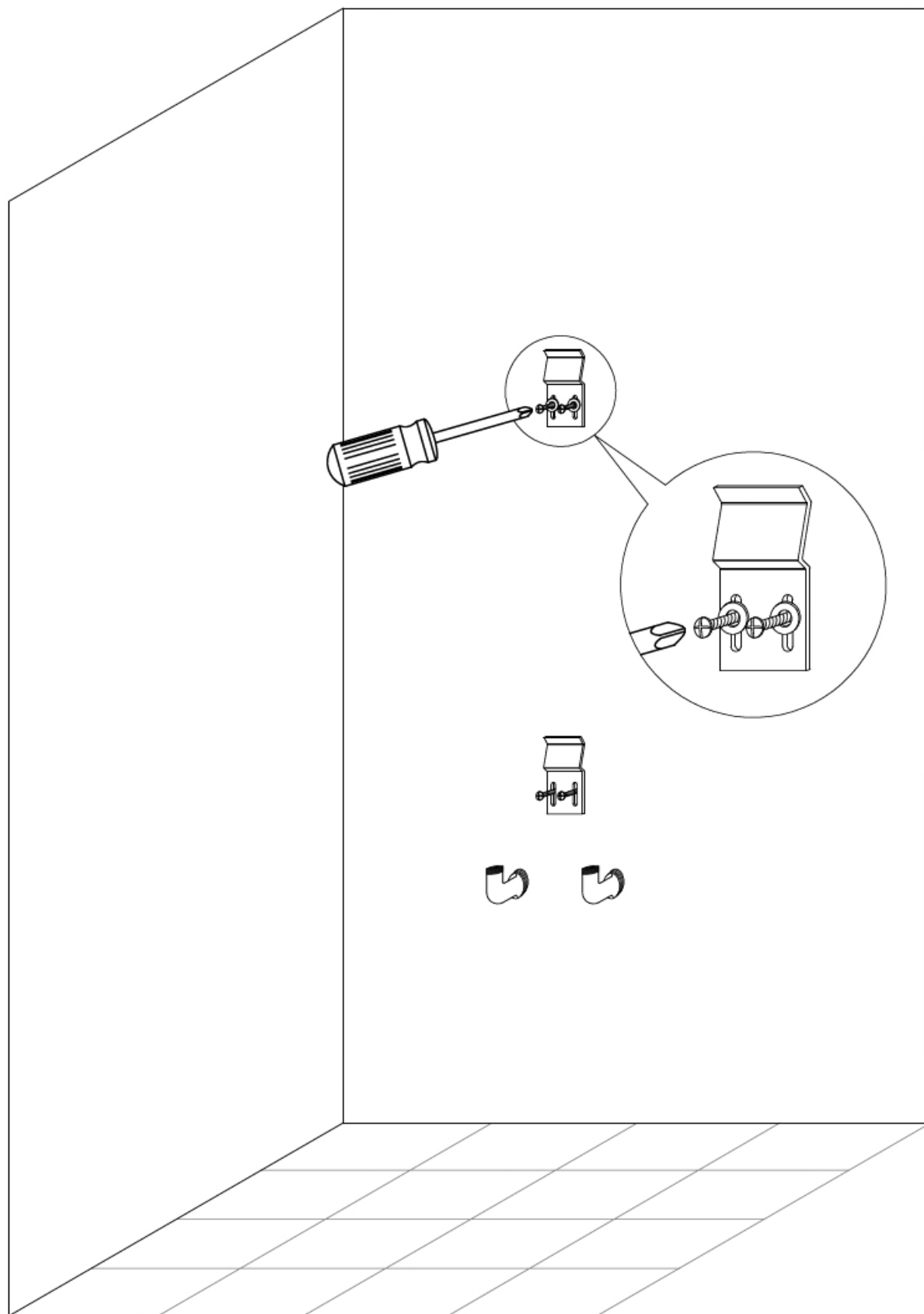
FITTINGS/TECHNICAL DATA



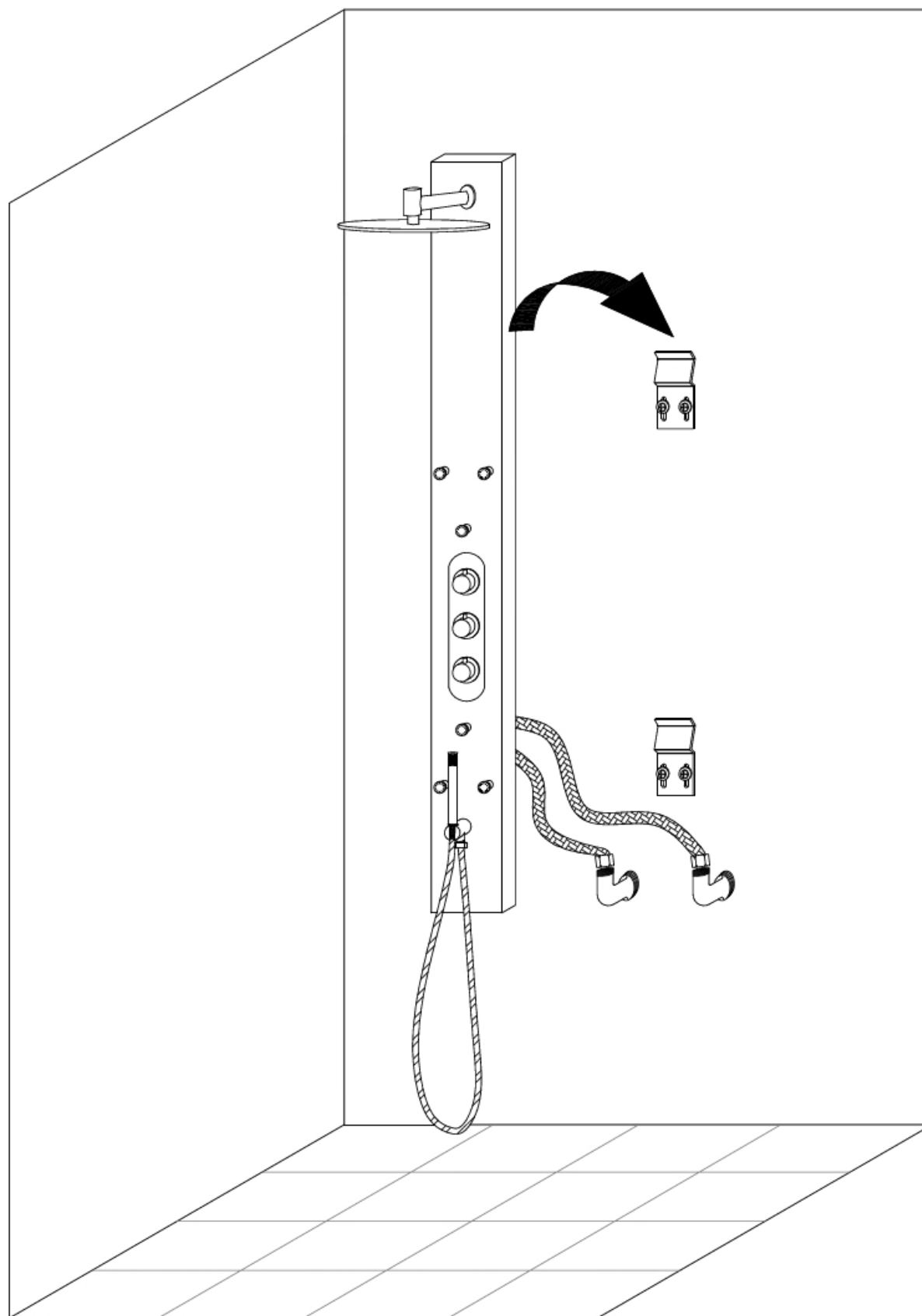
TECHNICAL DATA

MIN.FLOW PRESSURE 29PSI
 RECOMMENDED OPERATING PRESSURE 45 PSI
 HOT WATER TEMPERATUER MAX.158°F
 SAFETY STOP 100°C
 HAND SHOWER 2.9 GPM
 BODY SHOWERS.6JETS 3.4 GPM
 OVERHEAD SHOWER 3.4 GPM
 OVERALL WATER PRESSURE IN SHOULD BE BETWEEN 1.057-1.586 GPM

WALL INSTALLATION



WALL INSTALLATION



MODEL VG-08001

CORNER INSTALLATION

