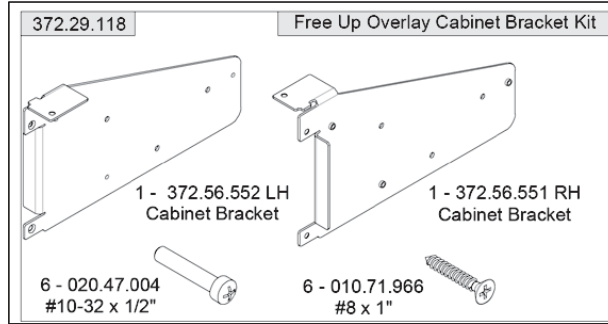


Mounting Instructions

HÄFELE

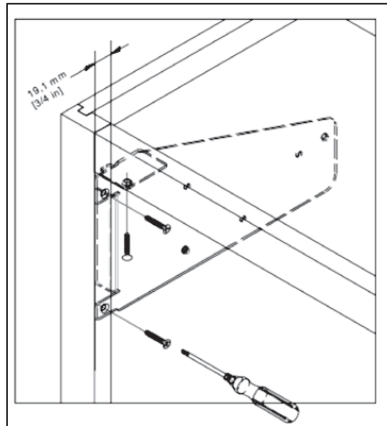
Item No.: 372.29.118

FREE UP OVERLAY CABINET BRACKET KIT



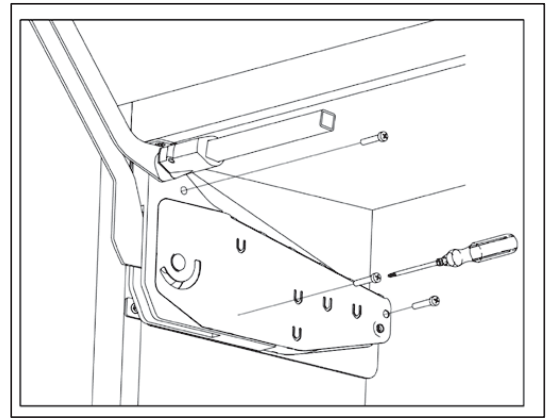
STEP 1:

Mount bracket to the frame with 010.71.966



STEP 2:

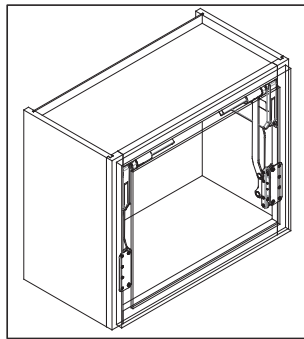
Attach fittings to the bracket with 020.47.004 screws



STEP 3:

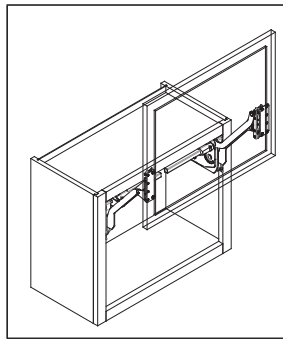
Follow instructions for door mounting.

Note: It is important to account for the thickness of the cabinet brackets 2 mm on each side.



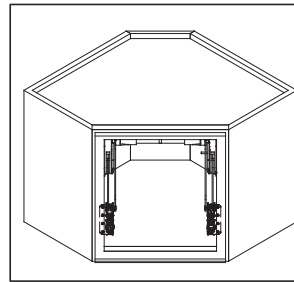
Appliance Garage

Closed



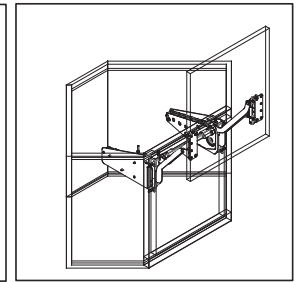
Appliance Garage

Open



Corner Appliance Garage

Closed



Corner Appliance Garage

Open

HÄFELE