

# KINVARO

## T-57 lift-up fitting



- Opening angle adjustable to 75° or 90°
- Easy to fit
- Adjustable spring force
- Adjustable flap height  $\pm 1.0$  mm
- No hinges fitted to the top panel
- Allows additional cabinet installation above
- Can be used for wooden flaps or aluminum frames with glass inserts
- Weight 2.2 to 13.7 lbs. (1.0 to 6.2 kg)
- Range of flaps:
  - Width: - 47 1/4" (up to 1200 mm)
  - Height: 11 13/16" - 23 5/8" (300 - 600 mm)
- High-quality finish, nickel-plated

### APPLICATION RANGE

Cabinet height	Flap weight incl. handle lbs. (kg)	
	min.	max.
11 13/16" (300)	2.2 (1.0)	13.7 (6.2)
13 25/32" (350)	2.6 (1.2)	10.8 (4.9)
15 3/4" (400)	3.1 (1.4)	8.4 (3.8)
17 23/32" (450)	3.3 (1.5)	7.9 (3.6)
19 11/16" (500)	3.7 (1.7)	6.4 (2.9)
21 21/32" (550)	4.2 (1.9)	6.0 (2.7)
23 5/8" (600)	4.6 (2.1)	5.5 (2.5)

### ORDER INFORMATION

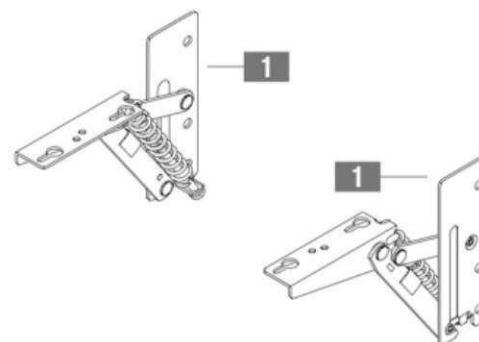
Kinvaro T-57 set				
Description	Version for	Overlay	Item No.	PU
Kinvaro T-57, nickel-plated adjustable springs on right and left	wood	variable	F151145224517	1

For automatic Kinvaro door calculations: Use the GRASS Kinvaro Calculator at [www.grassusa.com/kinvaro\\_calculator.html](http://www.grassusa.com/kinvaro_calculator.html)



**Kinvaro T-57 set** comprises:

- 1 Fitting, right and left (1x)
- 1 Paper template (1x)
- 1 Installation instructions (1x)



### WARNING

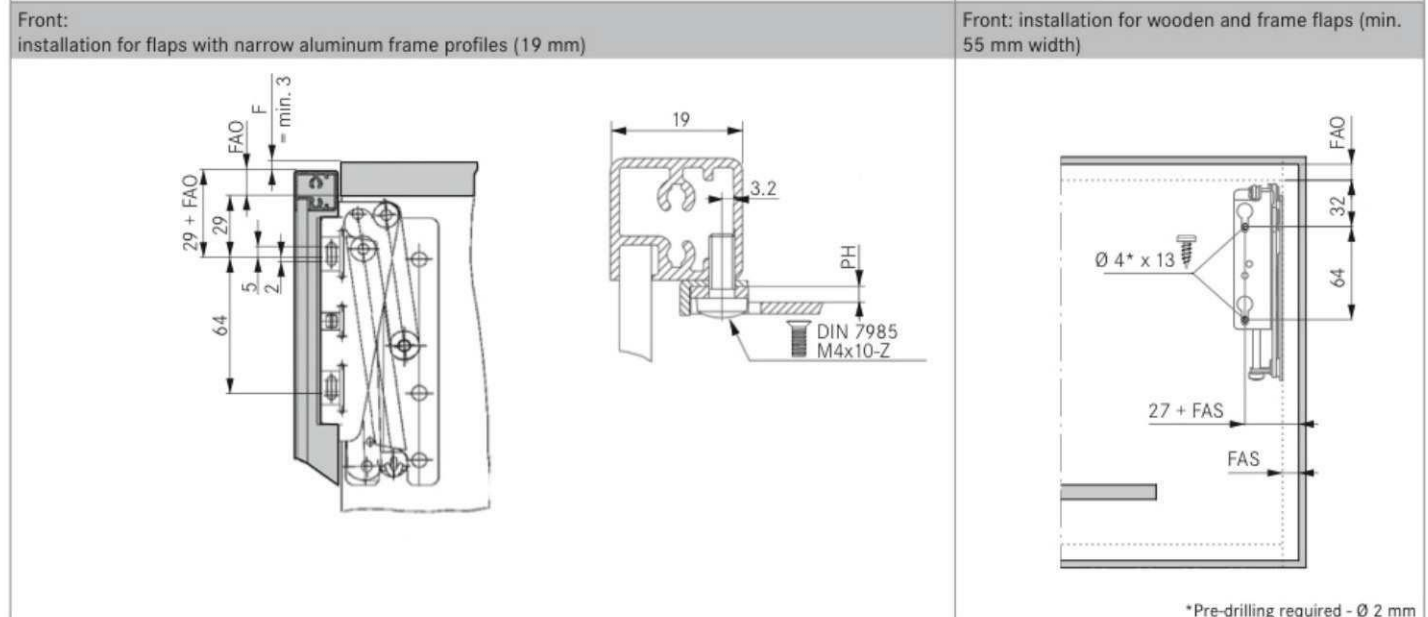
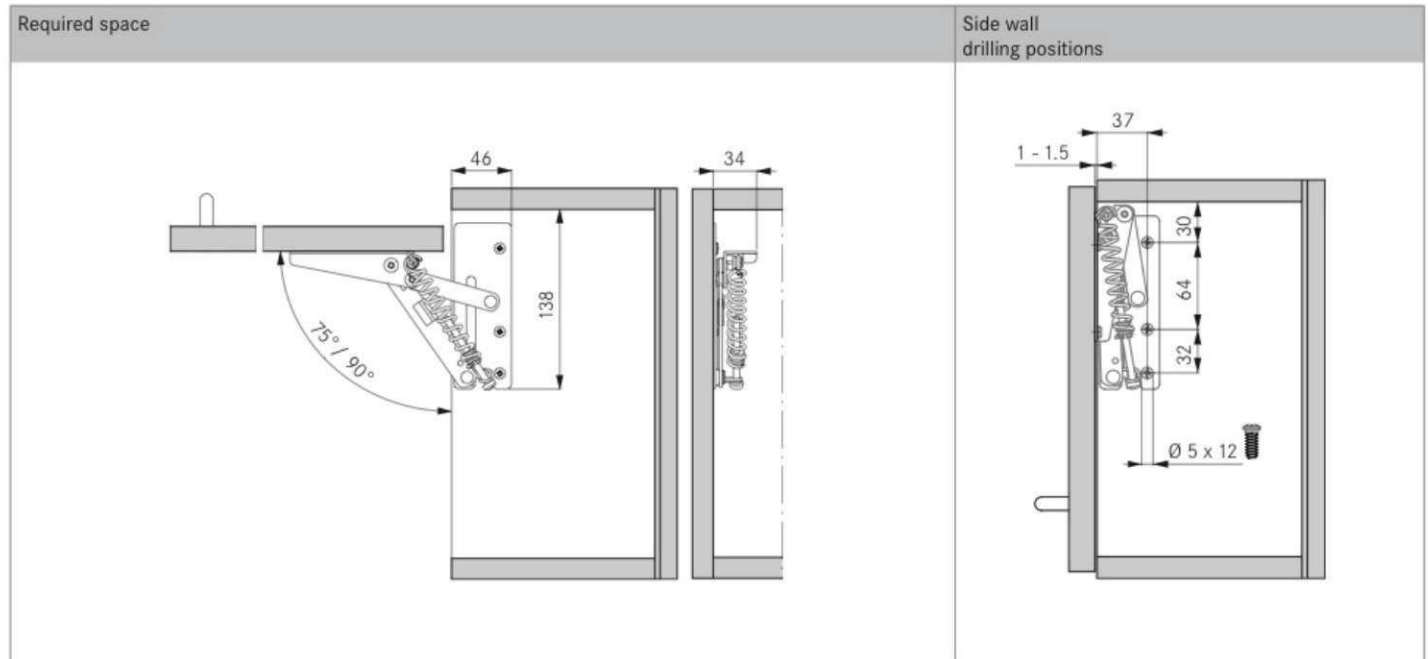


**Important!**  
Caution - risk of injury! Fitting is spring-tensioned!

PU = Packing Unit

ASSEMBLY AND INSTALLATION INSTRUCTIONS

All dimensions in millimeters



**Calculation of flap weight**

Flap width x flap height x flap thickness x density<sup>1</sup> + weight of handle<sup>2</sup> = weight of flap

<sup>1</sup> Densities: MDF 0.85 kg/dm<sup>3</sup>, chipboard 0.65 kg/dm<sup>3</sup>, spruce/pine 0.45 kg/dm<sup>3</sup>

<sup>2</sup> For bar handles allow 0.1 kg for each 100 mm handle width. We recommend a trial fitting

**Metric Conversions**

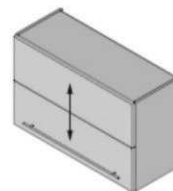
MM	.5	1	1.5	2	3	3.2	3.5	5	7.5	8	8.5	13	19	25	27	29	30
INCH	1/32	1/16	1/16	5/32	1/8	1/8	1/8	3/16	9/32	5/16	11/32	1/2	3/4	31/32	1 1/16	1 5/32	1 3/16
MM	32	34	37	46	47.5	50	55	64	100	135	138	144	164	169	170	180	181
INCH	1 1/4	1 11/32	1 7/16	1 13/16	1 7/8	1 31/32	2 5/32	2 1/2	3 15/16	5 5/16	5 7/16	5 11/16	6 15/32	6 21/32	6 11/16	7 3/32	7 1/8

**LEGEND**

F Reveal  
FAO Front overlay, top  
FAS Front overlay, side  
PH Stamping height

# KINVARO

## Adjustment options T-57



(HV) Height adjustment  
+/-1 mm

All adjustments can be carried out independently of each other.

### ADJUSTMENT OPTIONS

Height adjustment (HV)	Locking	
Adjusting to 75° opening angle	Adjusting to 90° opening angle	Adjusting the spring force
		<p>Note</p> <p><b>WARNING</b></p>