



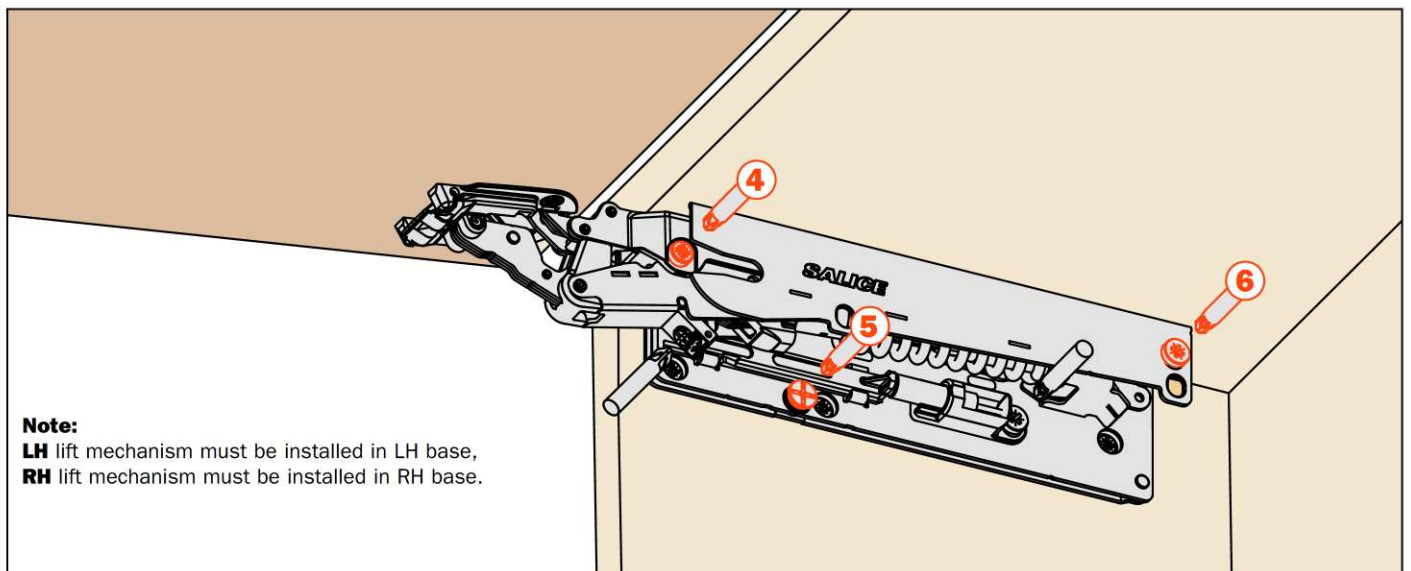
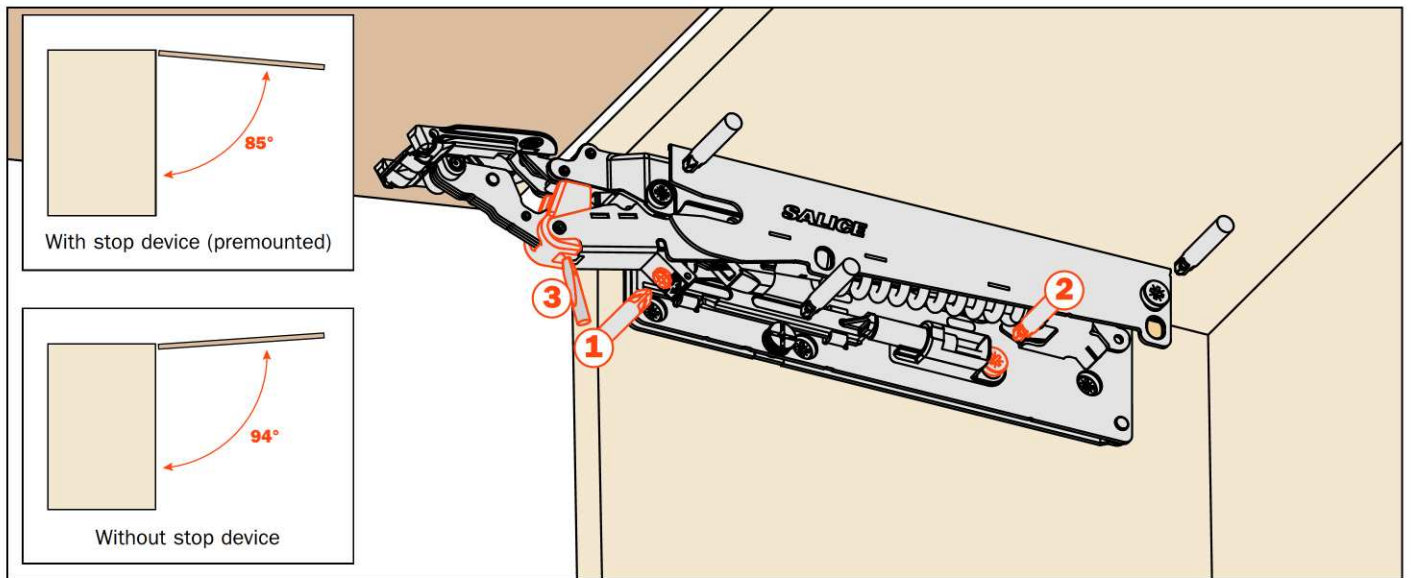
WARNING ! Security cable ties.

Remove the cable ties only at the end of the assembly.
Use the instructions and the QR Code attached to the systems.

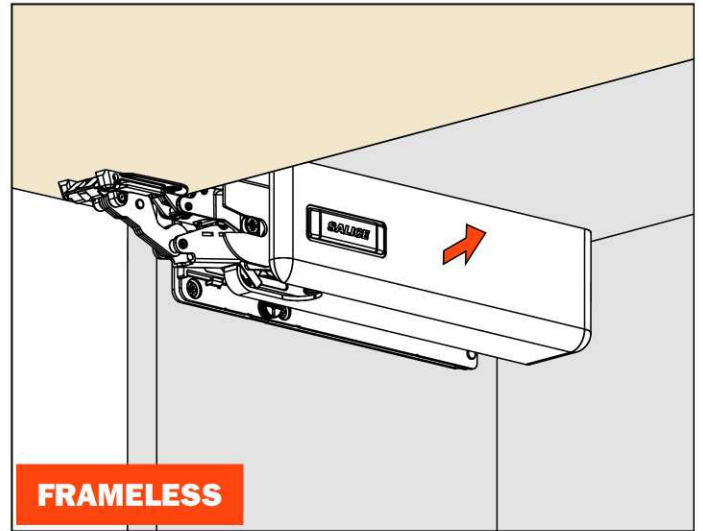
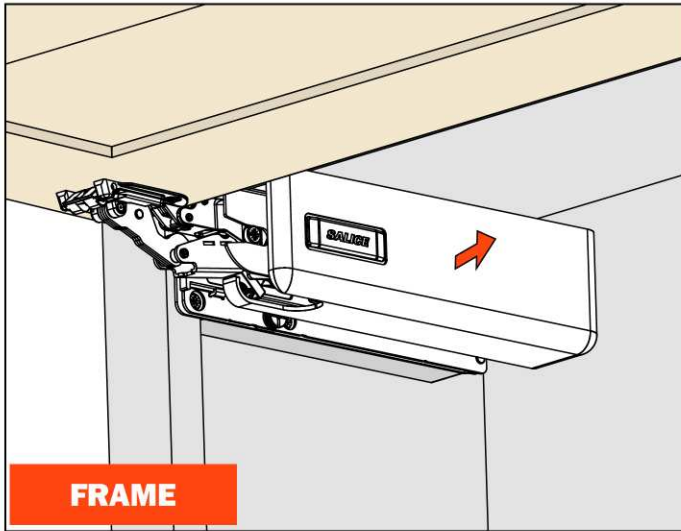


Adjustments.

- 1 - adjustment of the spring strength.
- 2 - adjustment of the decelerating effect.
- 3 - removal of the angle reduction clip.
- 4 - height adjustment of the door from - 2 to +2.
- 5 - side adjustment of the door from - 2 to +2.
- 6 - depth adjustment of the door from - 1 to +3.

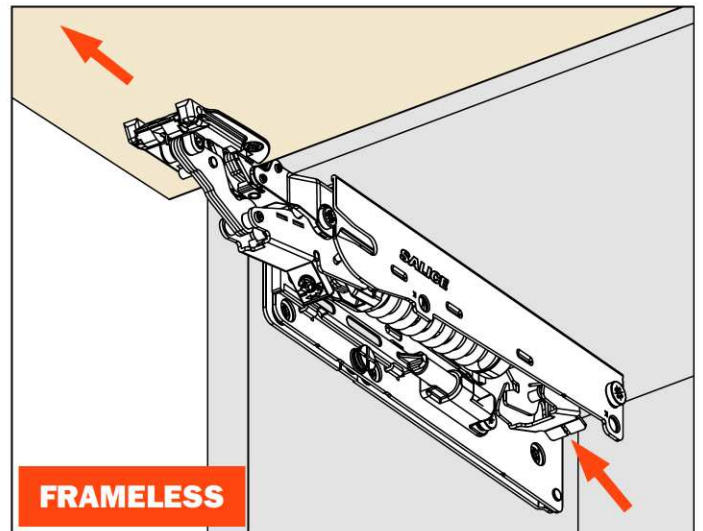
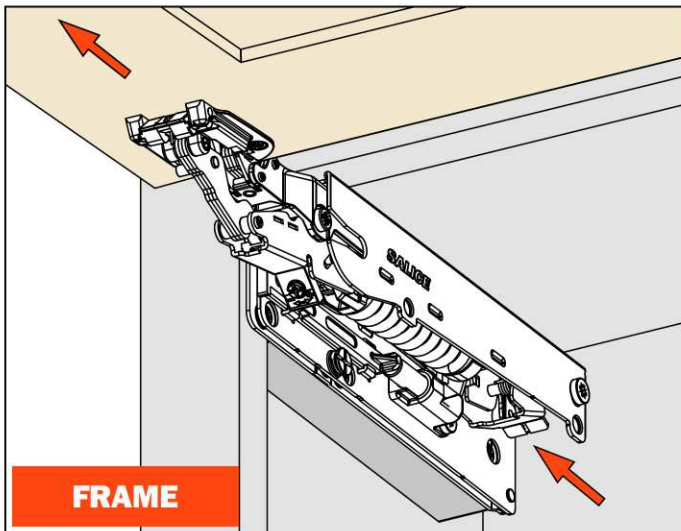


Removal of the covers



Disassembly of the system

Press the back lever and remove the lift mechanism. This operation is tool free.



Remove the lift mechanism from the cups (door)

Disconnecting the system from the cups. This operation is tool free.

