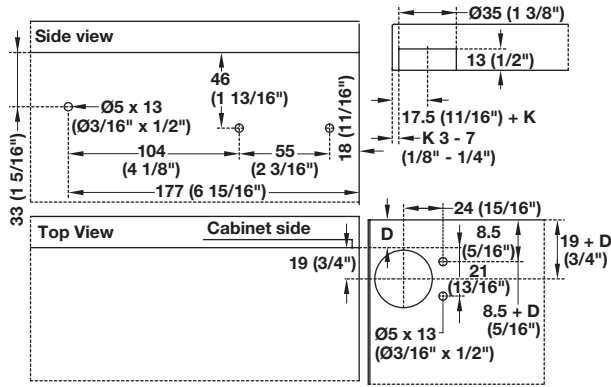


Drilling Pattern - Frameless



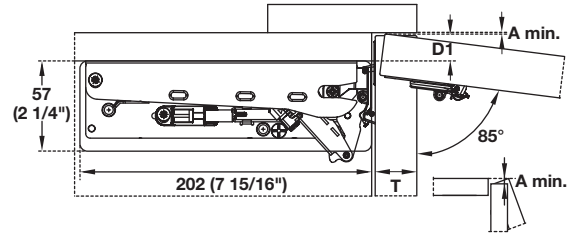
K = Drilling distance
D = Door overlay on the cabinet side

Minimum Reveal Table		T=	16	17	18	19	20	21	22	23	24	25	26	27	28
K=3	A=	0	0.1	0.1	0.2	0.2	0.3	0.5	0.6	0.7	0.9	1.1	1.1	1.8	2.7
K=4	A=	0	0.1	0.1	0.2	0.2	0.3	0.4	0.6	0.7	0.9	1.1	1.1	1.3	2.1
K=5	A=	0	0.1	0.1	0.2	0.2	0.3	0.4	0.6	0.7	0.9	1.1	1.1	1.3	1.5
K=6	A=	0	0.1	0.1	0.2	0.2	0.3	0.4	0.6	0.7	0.9	1.0	1.0	1.2	1.5
K=7	A=	0	0.1	0.1	0.2	0.2	0.3	0.4	0.6	0.7	0.8	1.0	1.0	1.2	1.4

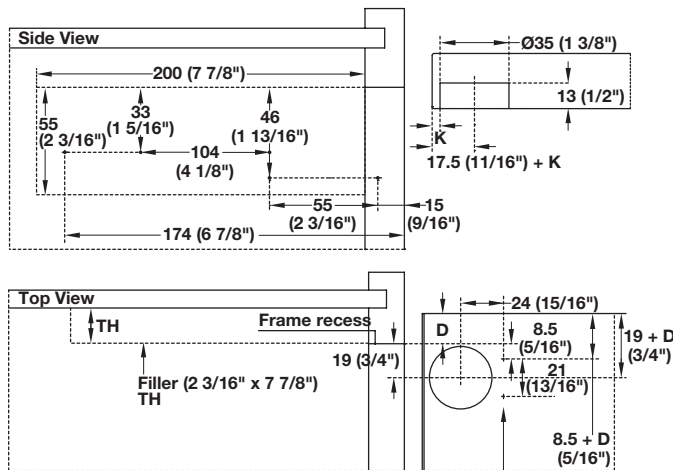
Overlay Table		K	D1
3	=	16	
4	=	17	
5	=	18	
6	=	19	
7	=	20	

K = Drilling distance
D1 = Door overlay on the cabinet top
A = Min Reveal

Space needed to open door



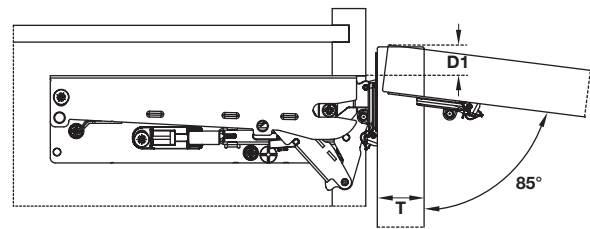
Drilling Pattern - Face Frame



K = Drilling distance
D = Door overlay on the cabinet side

Holes can be pre-drilled 5 mm dia or pilot drilled 2 mm dia.

Space needed to open door



Overlay Table		K	D1
3	=	16	
4	=	17	
5	=	18	
6	=	19	
7	=	20	

K = Drilling distance
D1 = Door overlay on the cabinet top

Wind "Footprint" dimensions= 7-3/4" L x 2-1/4" H x 1-1/2" T

Dimensional data not binding. We reserve the right to alter specifications without notice.

