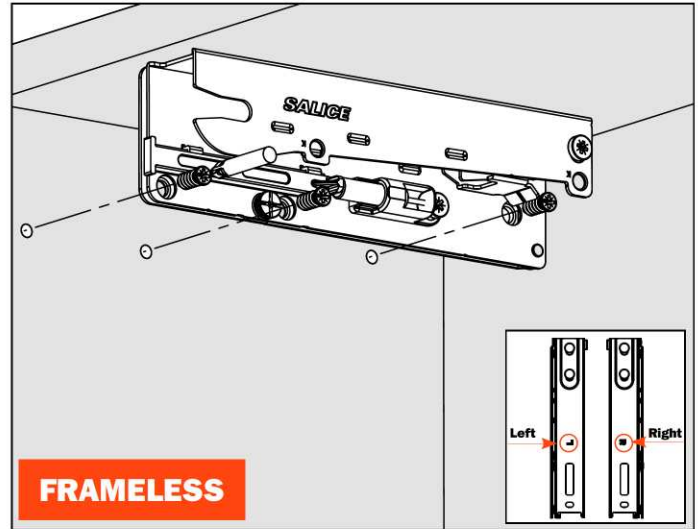
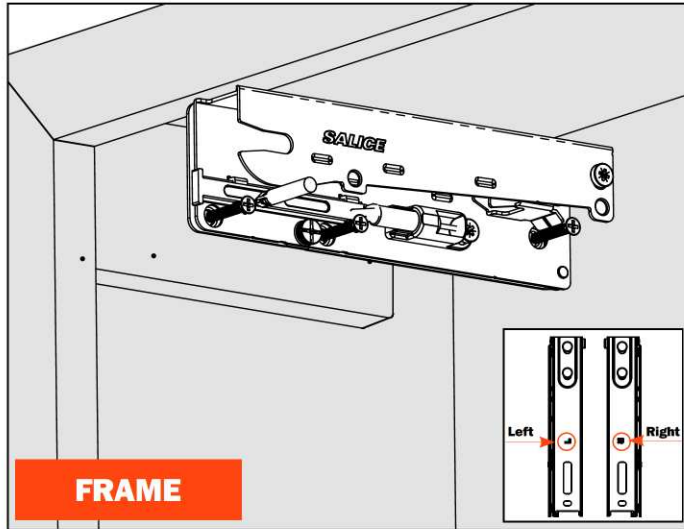
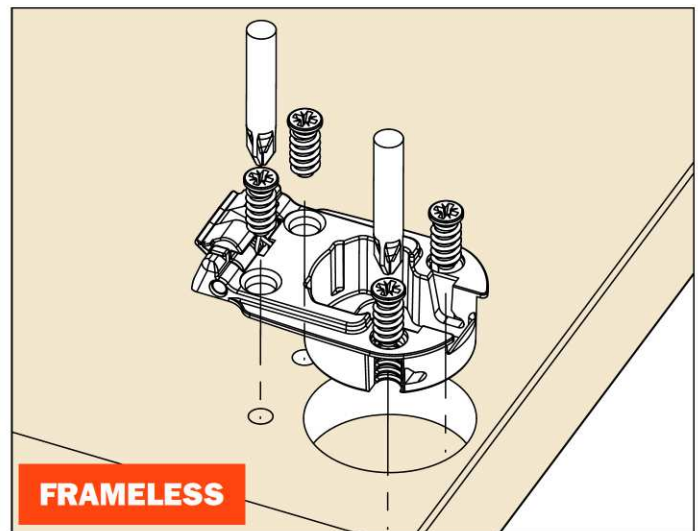
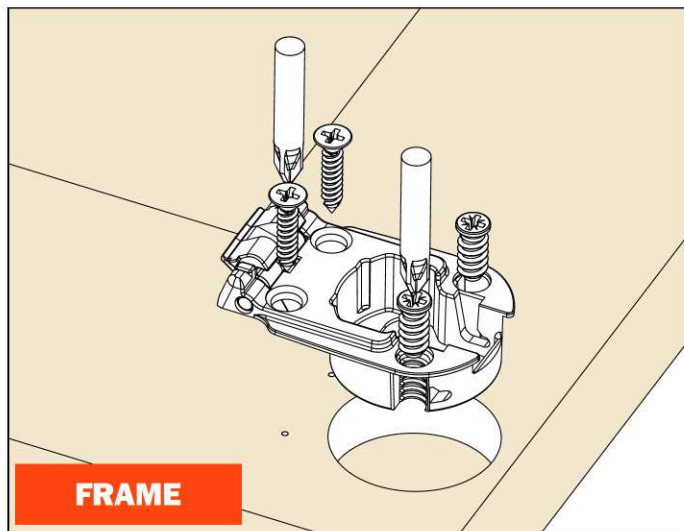


Attaching the base to the cabinet sides

Use 5mm x 13mm system screws or #7 x 5/8" wood screws.



Installing the cups to the door

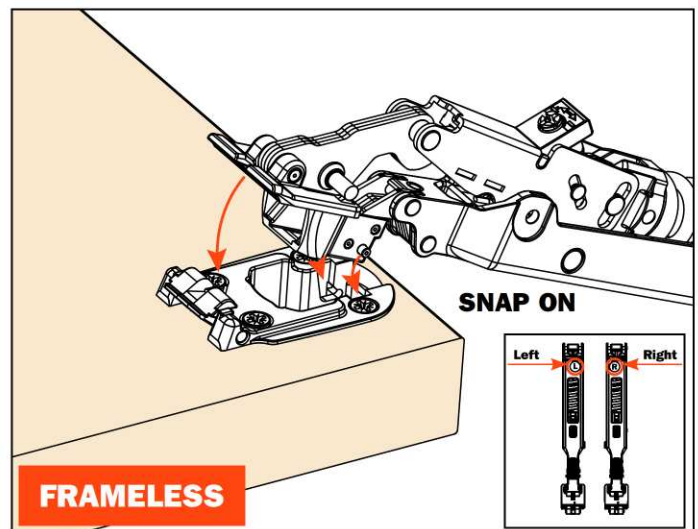
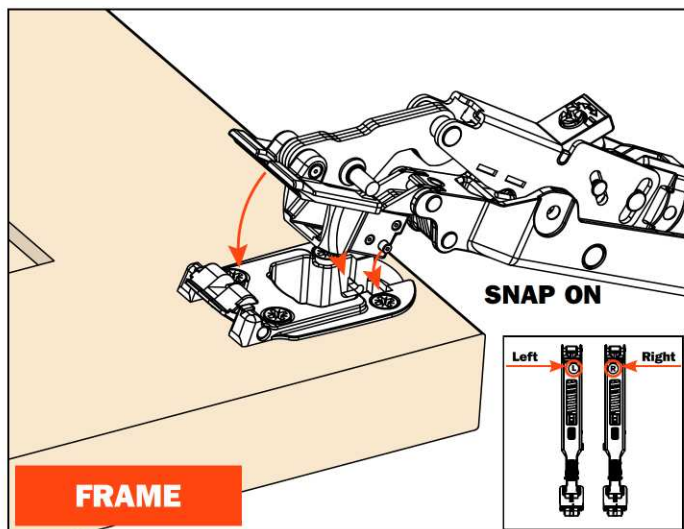


Connecting the lift mechanism to the cups

This operation is tool free.

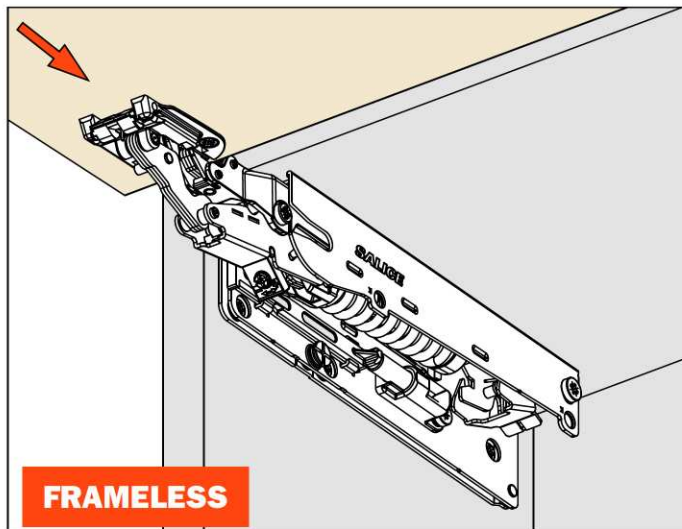
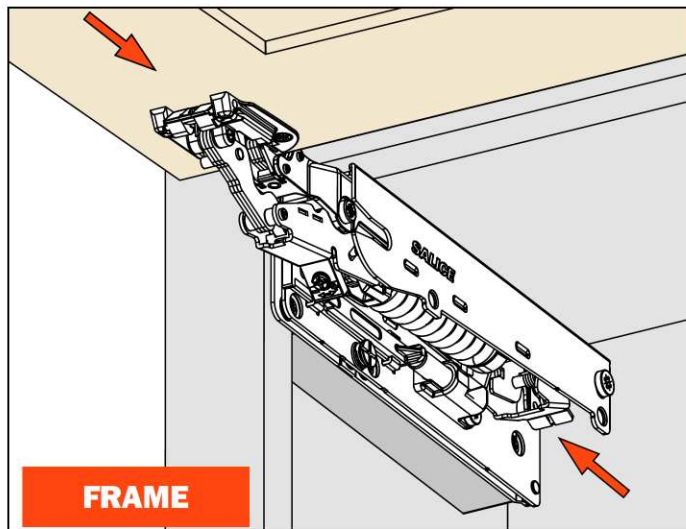
Note:

LH lift mechanism must be installed in LH base,
RH lift mechanism must be installed in RH base.



Connecting the lift system to the base

This operation is tool free.



Installing the covers

