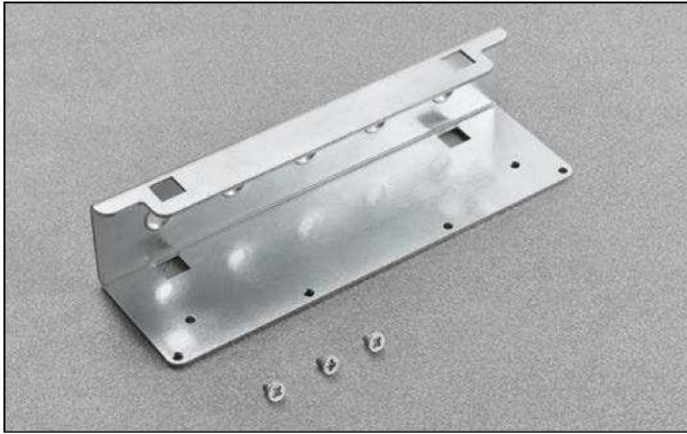


Wind - Optional top mount bracket



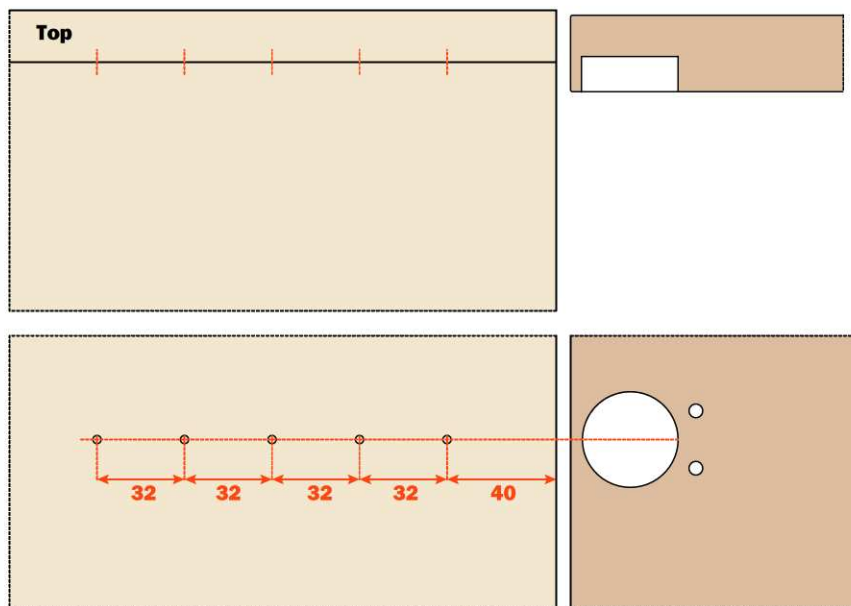
Technical information

Bracket to be attached to the top of the cabinet for use with:

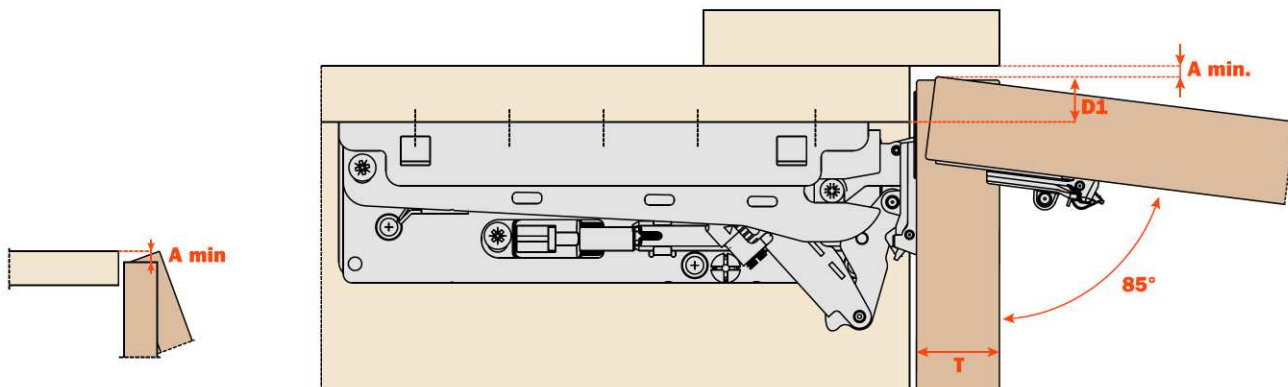
- angled cabinets
- wide or heavier doors
- 5 piece doors

Note: When using the top mount bracket, the overlay is reduced by 3mm. Refer to the overlay chart below.

Drilling pattern.



Space needed to open the door.



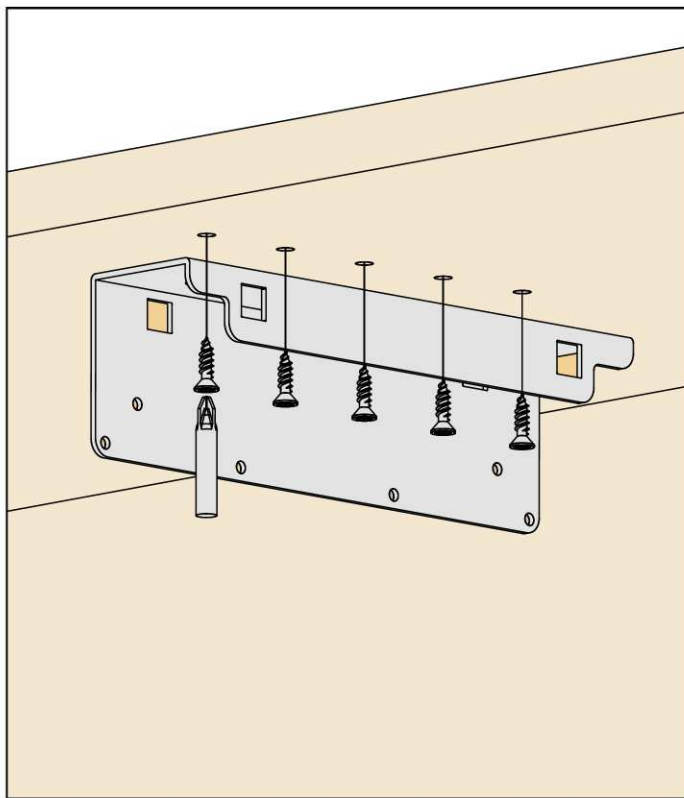
K		D1
3	=	13
4	=	14
5	=	15
6	=	16
7	=	17

	T=	16	17	18	19	20	21	22	23	24	25	26	27	28
K=3	A = min	0	0.1	0.1	0.2	0.2	0.3	0.5	0.6	0.7	0.9	1.1	1.8	2.7
K=4	A = min	0	0.1	0.1	0.2	0.2	0.3	0.4	0.6	0.7	0.9	1.1	1.3	2.1
K=5	A = min	0	0.1	0.1	0.2	0.2	0.3	0.4	0.6	0.7	0.9	1.1	1.3	1.5
K=6	A = min	0	0.1	0.1	0.2	0.2	0.3	0.4	0.6	0.7	0.9	1.0	1.2	1.5
K=7	A = min	0	0.1	0.1	0.2	0.2	0.3	0.4	0.6	0.7	0.8	1.0	1.2	1.4

Assembly instructions for the brackets

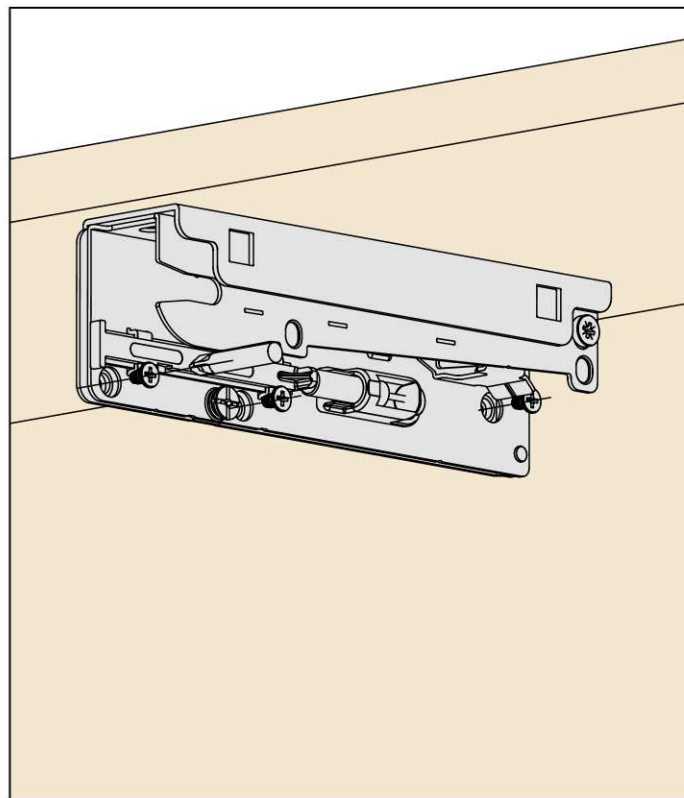
Attaching the brackets to the top of the cabinet.

Attach with five #8 x 5/8" wood screws provided



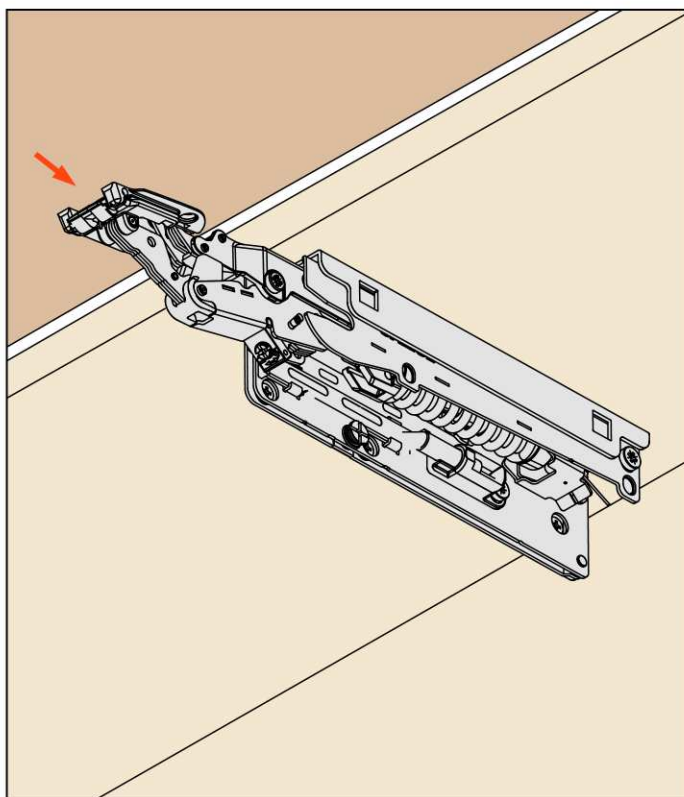
Attaching the base to the top bracket.

Attach with the 3 machine screws provided.

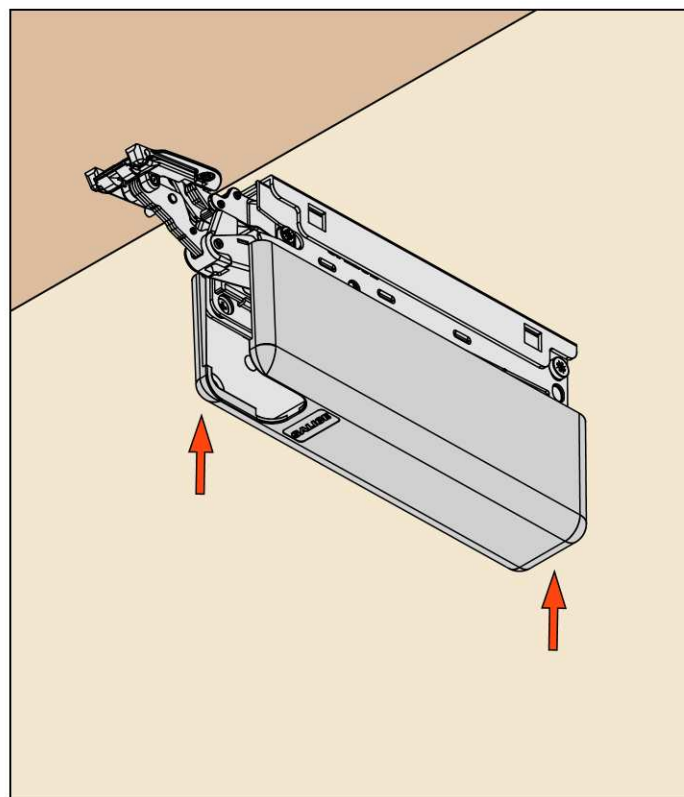


Connecting the lift system to the base.

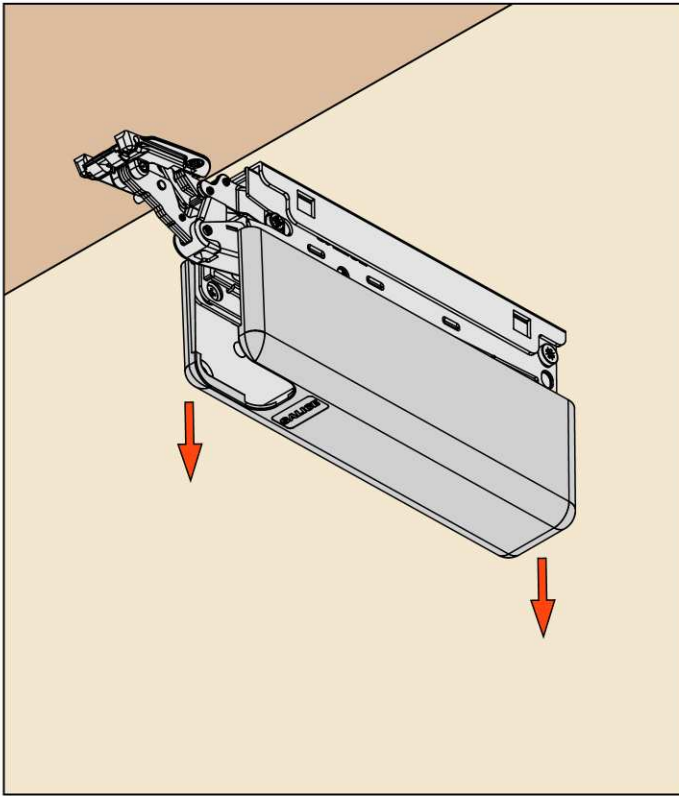
This operation is tool free.



Installing the covers.



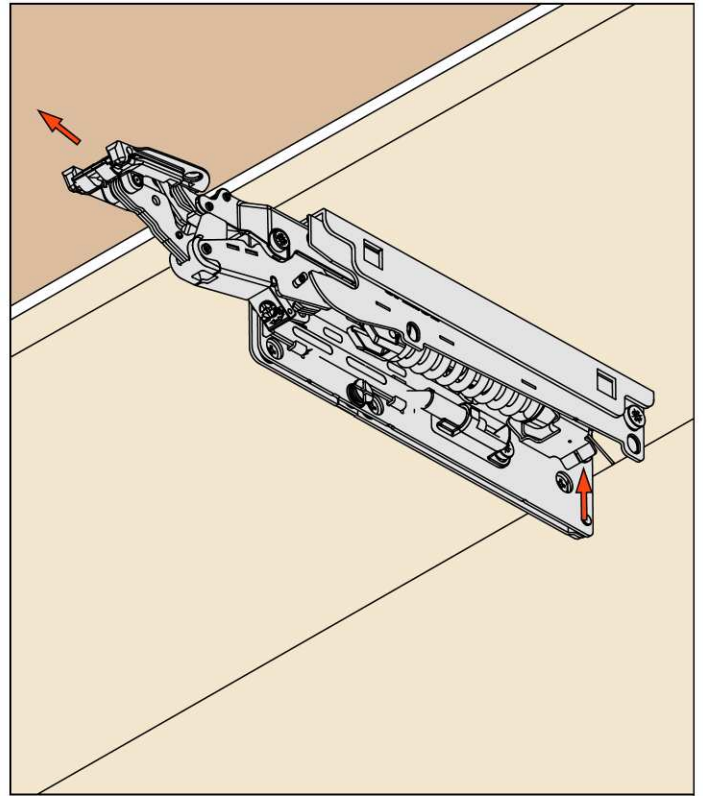
Removal of the covers.



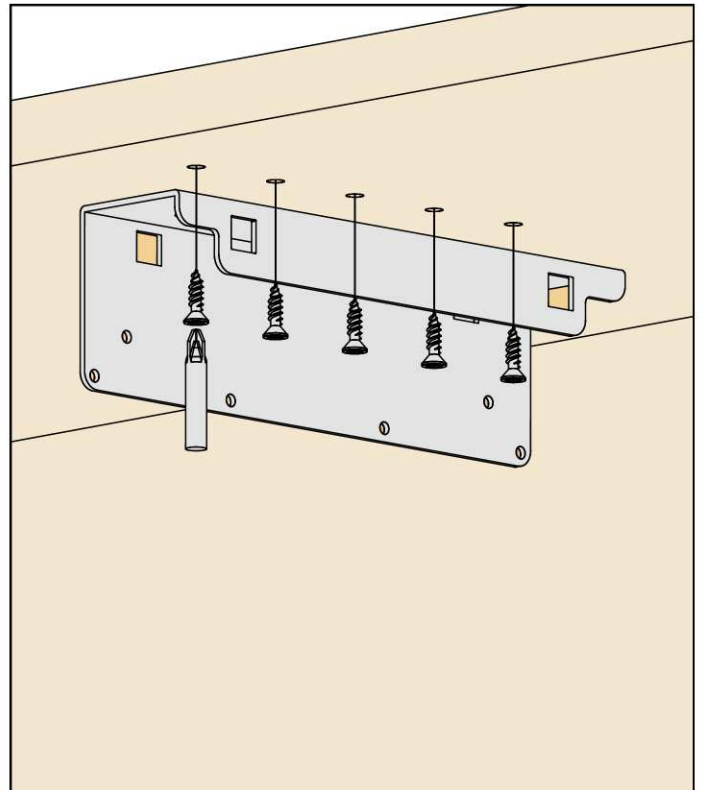
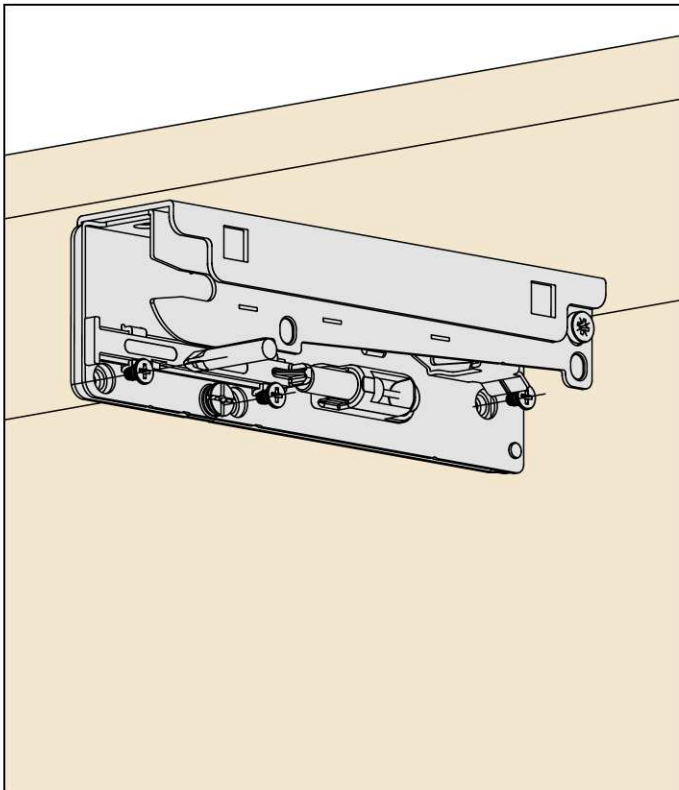
Remove the base from the bracket.

Disassembly of the system.

Press the back lever and remove the lift system.
This operation is tool free.



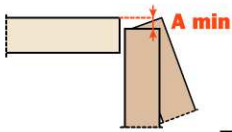
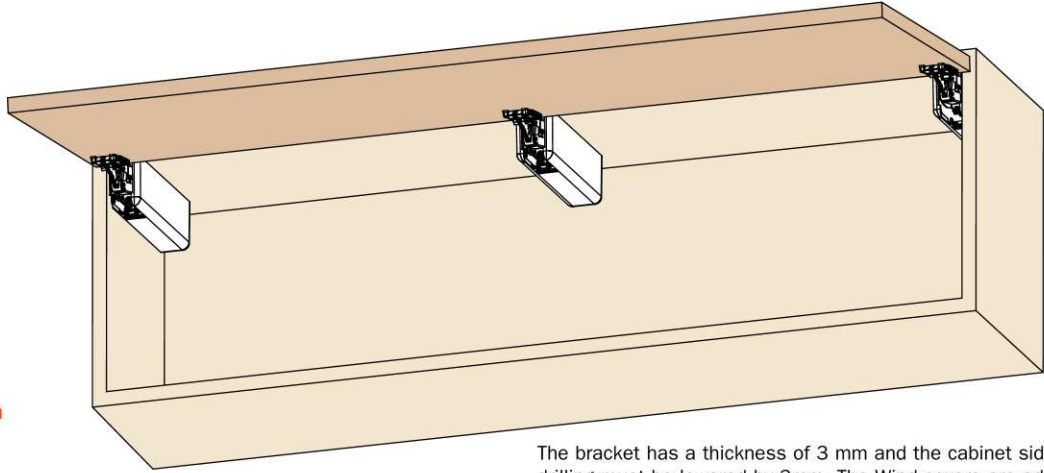
Remove the screws and the bracket.



Top mount bracket applications

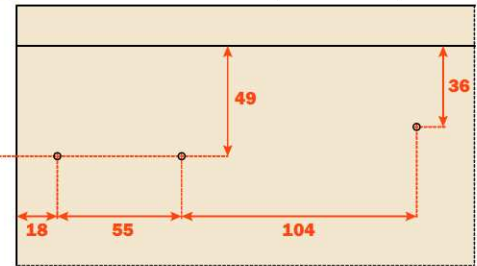
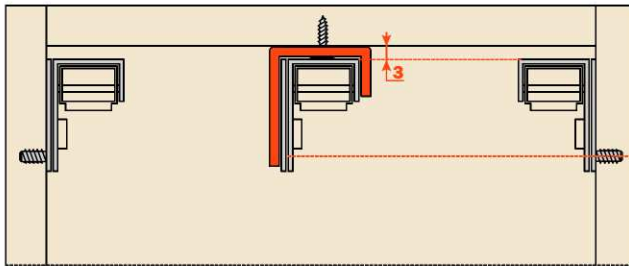
For cabinets that require a third system. For wide cabinet applications without a center partition.
The maximum door width for two Wind is 1200mm/48"

Note: Wind can be used on doors that are larger or heavier by adding additional Wind lifts to the cabinet and door. This can be done by installing a center partition and adding additional Wind lifts or by utilizing the Top Mount Brackets with additional Wind lifts. For all applications requiring more than two Wind lifts, check the Wind charts on pages 19 & 20. Please consult with your local sales representative or contact technical service.

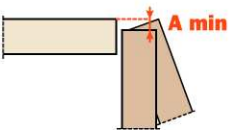
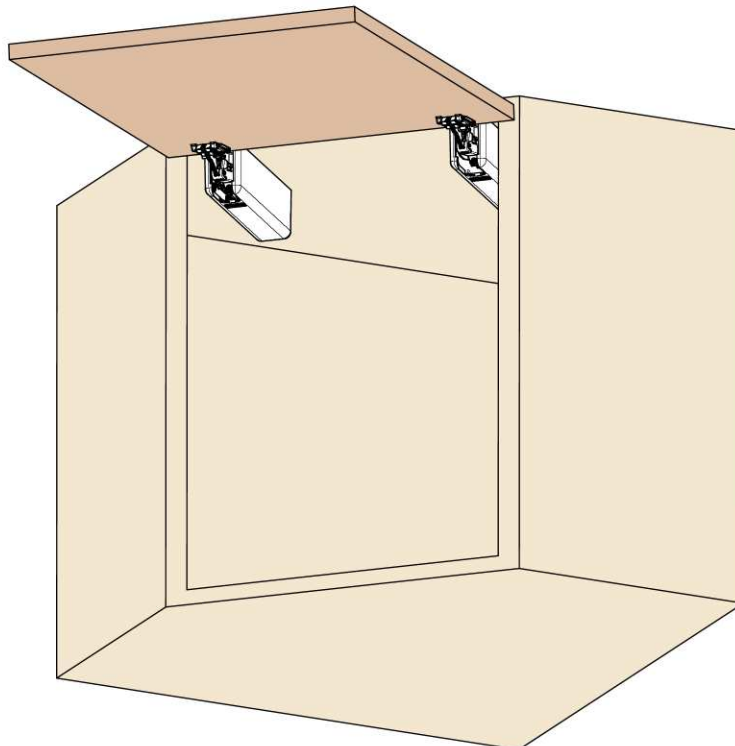


The bracket has a thickness of 3 mm and the cabinet side drilling must be lowered by 3mm. The Wind covers are adjustable and can be positioned to cover the 3mm space at the top.

K		D1
3	=	13
4	=	14
5	=	15
6	=	16
7	=	17



For angled cabinets.



K		D1
3	=	13
4	=	14
5	=	15
6	=	16
7	=	17