

Duo Lid/Flap Stay

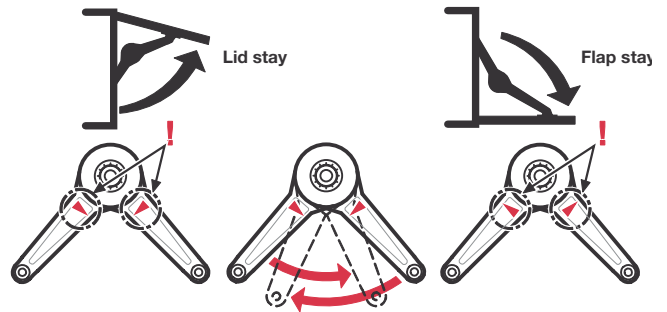
- For doors made of wood, glass or with aluminum frame
- Adjusting the arms (overshear) turns the lid stay into a flap stay
- Less space is required inside the cabinet
- Wear-resistant friction coupling with large adjusting range

Finishes

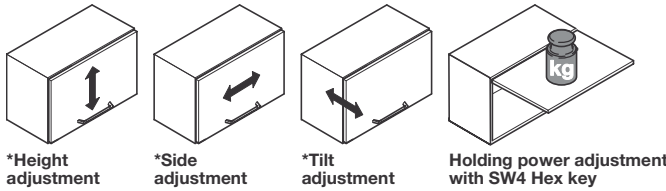
Black, nickel-plated, white or silver



Application



Front adjustment facility



Note

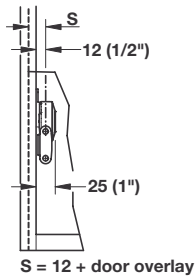
*Depends on the hinges that are installed.



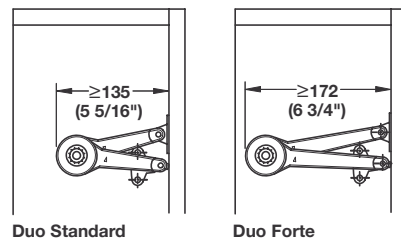
Stronger holding power
= **locking** function
= flap locks in any position
(multi-position stop)

Weaker holding power
= **braking** function
= lid stay closes softly/flap stay opens gently

Lateral space requirement/side distance(s) for screw bracket



Minimum installation depth



Hex Key, 4 mm

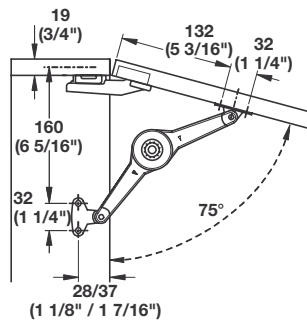
Material: Steel

Finish	Item No.
black	008.28.044

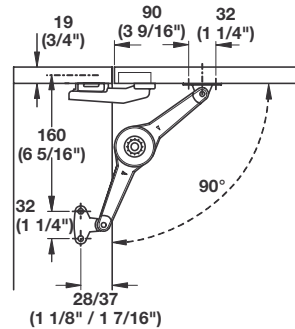
Dimensional data not binding. We reserve the right to alter specifications without notice.



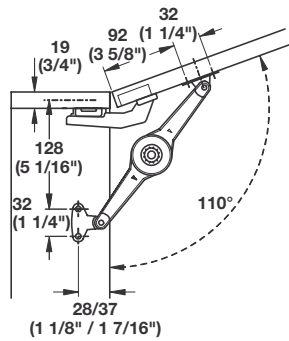
Installation as lid stay



Opening angle 75°

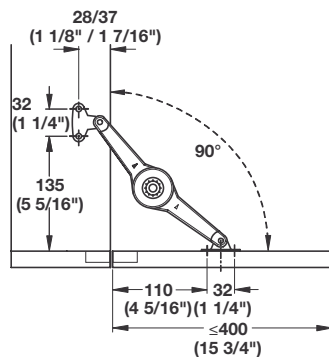


Opening angle 90°

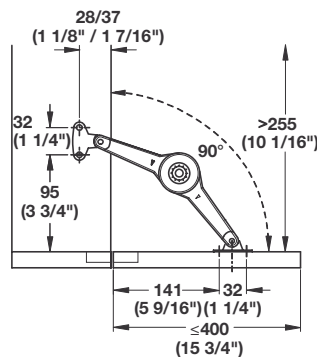


Opening angle 110°

Installation as flap stay



Separate catch required.
Space requirement for fitting inside the cabinet when the door is being closed: 130 mm (5 1/8") from front edge of cabinet



No separate catch required.

Minimum inside cabinet height 255 mm (10 1/16")

Duo Standard Complete Set

- For doors made of wood or with aluminum frame
- From frame width: 45 mm (1 3/4")
- Edge distance: 37 mm (1 7/16")

Installation	Nickel-plated	White	Black
Wood screws	373.66.612	373.66.262	373.66.212
Euro screws	373.66.614	373.66.264	373.66.214

- For doors with aluminum frame
- From frame width: 20 mm (13/16")
- Edge distance: 37 mm (1 7/16")

Finish: nickel-plated

Installation	Item No.
Sheet metal screws	373.66.622

Supplied With

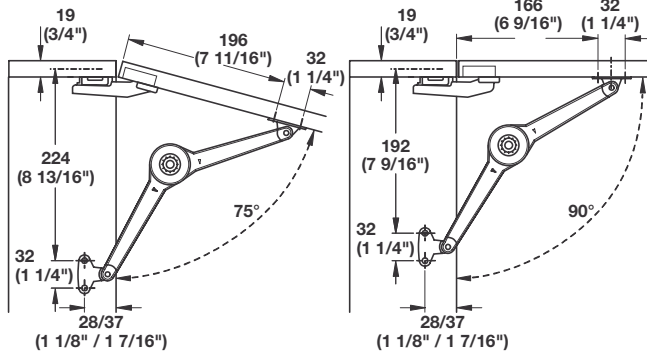
- Lid stay
- Mounting bracket for cabinet
- Screw-on bracket for flap

Sample measurements table for max. flap weight. Always use two fittings when used as flap stay.

Flap height	max. flap weight lbs.			
	Stopping function		Braking function	
	1 Stay	2 Stays	1 Stay	2 Stays
For opening angle 75°				
10"	15.4 lbs.	33 lbs.	19.8 lbs.	33 lbs.
12"	13.2 lbs.	26.4 lbs.	16.5 lbs.	33 lbs.
14"	11 lbs.	22 lbs.	14.3 lbs.	28.6 lbs.
16"	9.9 lbs.	19.8 lbs.	13.2 lbs.	25.3 lbs.
18"	8.8 lbs.	17.6 lbs.	11 lbs.	22 lbs.
20"	7.7 lbs.	15.4 lbs.	9.9 lbs.	19.8 lbs.
For opening angle 90° - See 90° Flap Stay for 8" - 16"				
18"	7.7 lbs.	14.3 lbs.	9.9 lbs.	18.7 lbs.
20"	6.6 lbs.	13.2 lbs.	8.8 lbs.	16.5 lbs.
For opening angle 110°				
8"	13.2 lbs.	26.4 lbs.	17.6 lbs.	33 lbs.
10"	11 lbs.	20.9 lbs.	13.2 lbs.	26.4 lbs.
12"	8.8 lbs.	17.6 lbs.	11 lbs.	22 lbs.
14"	7.7 lbs.	15.4 lbs.	8.8 lbs.	19.8 lbs.
16"	6.6 lbs.	13.2 lbs.	8.8 lbs.	16.5 lbs.
18"	5.5 lbs.	12.1 lbs.	7.7 lbs.	15.4 lbs.
20"	4.4 lbs.	11 lbs.	6.6 lbs.	13.2 lbs.
For opening angle 90° as a Flap Stay				
12"	11 lbs.	22 lbs.	13.2 lbs.	28.6 lbs.
14"	8.8 lbs.	18.7 lbs.	12.1 lbs.	24.2 lbs.
16"	7.7 lbs.	15.4 lbs.	11 lbs.	22 lbs.

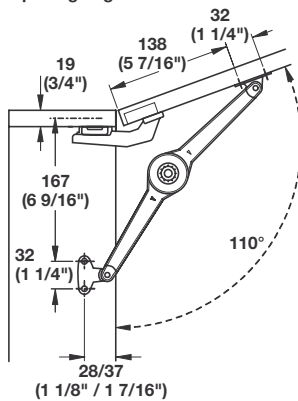


Installation as lid stay



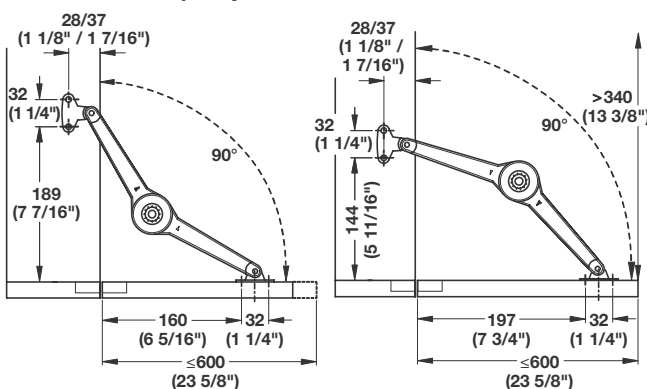
Opening angle 75°

Opening angle 90°



Opening angle 110°

Installation as flap stay



Separate catch required.
Space requirement for fitting inside the cabinet when the door is being closed: 175 mm (6 7/8") from front edge of cabinet.

No separate catch required.
Minimum inside cabinet height 340 mm (13 3/8")

Duo Forte Complete Set

- For doors made of wood or with aluminum frame
 - From frame width: 45 mm (1 3/4")
- Edge distance: 37 mm (1 7/16")

Installation	Nickel-plated	White	Black
Wood screws	373.66.632	373.66.372	373.66.312
Euro screws	373.66.634	373.66.374	373.66.314

- For doors with aluminum frame
 - From frame width: 20 mm (13/16")
- Edge distance: 37 mm (1 7/16")

Finish: nickel-plated

Installation	Item No.
Sheet metal screws	373.66.642

Supplied With

- Lid stay
- Mounting bracket for cabinet
- Screw-on bracket for flap

Sample measurements table for max. door weight.
Always use two fittings when used as flap stay.

Flap height	max. flap weight lbs.			
	Stopping function		Braking function	
	1 Stay	2 Stays	1 Stay	2 Stays
For opening angle 75°				
12"	19.8 lbs.	33 lbs.	26.4 lbs.	33 lbs.
14"	17.6 lbs.	33 lbs.	24.2 lbs.	33 lbs.
16"	15.4 lbs.	30.8 lbs.	19.8 lbs.	33 lbs.
18"	13.2 lbs.	27.5 lbs.	17.6 lbs.	33 lbs.
20"	12.1 lbs.	24.2 lbs.	15.4 lbs.	33 lbs.
22"	11 lbs.	22 lbs.	14.3 lbs.	28.6 lbs.
24"	11 lbs.	20.9 lbs.	13.2 lbs.	26.4 lbs.
26"	8.8 lbs.	18.7 lbs.	12.1 lbs.	24.2 lbs.
28"	8.8 lbs.	17.6 lbs.	11 lbs.	23.1 lbs.
For opening angle 90° – See 90° Flap Stay for 8" – 24"				
26"	7.7 lbs.	15.4 lbs.	11 lbs.	20.9 lbs.
28"	6.6 lbs.	15.4 lbs.	8.8 lbs.	19.8 lbs.
For opening angle 110°				
8"	20.9 lbs.	33 lbs.	27.5 lbs.	33 lbs.
10"	16.5 lbs.	33 lbs.	22 lbs.	33 lbs.
12"	14.3 lbs.	27.5 lbs.	17.6 lbs.	33 lbs.
14"	12.1 lbs.	24.2 lbs.	15.4 lbs.	30.8 lbs.
16"	9.9 lbs.	20.9 lbs.	13.2 lbs.	27.5 lbs.
18"	8.8 lbs.	18.7 lbs.	12.1 lbs.	24.2 lbs.
20"	8.8 lbs.	16.5 lbs.	11 lbs.	22 lbs.
22"	7.7 lbs.	15.4 lbs.	8.8 lbs.	19.8 lbs.
24"	6.6 lbs.	13.2 lbs.	8.8 lbs.	17.6 lbs.
26"	6.6 lbs.	12.1 lbs.	8.8 lbs.	16.5 lbs.
28"	6.6 lbs.	11 lbs.	7.7 lbs.	15.4 lbs.
For opening angle 90° as a Flap Stay				
12"	17.6 lbs.	33 lbs.	22 lbs.	33 lbs.
14"	15.4 lbs.	29.7 lbs.	19.8 lbs.	33 lbs.
16"	13.2 lbs.	26.4 lbs.	17.6 lbs.	33 lbs.
18"	11 lbs.	24.8 lbs.	15.4 lbs.	30.8 lbs.
20"	11 lbs.	20.9 lbs.	13.2 lbs.	26.4 lbs.
22"	8.8 lbs.	18.7 lbs.	12.1 lbs.	24.2 lbs.
24"	8.8 lbs.	17.6 lbs.	11 lbs.	22 lbs.

Dimensional data not binding. We reserve the right to alter specifications without notice.

Flat head screws	pages 11.132-11.133, 11.135
Varianta screws	page 11.142

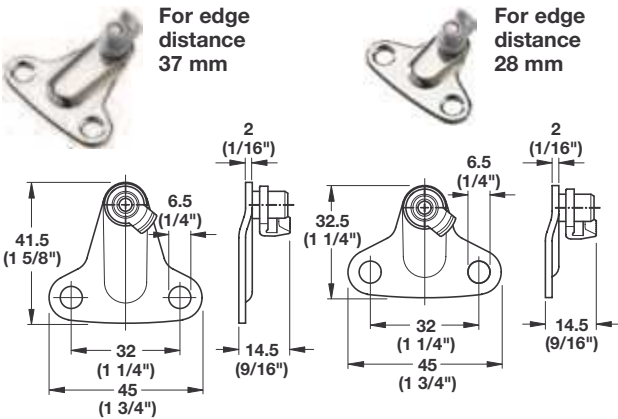
Dimensions in mm
 Inches are approximate

FC 9.111



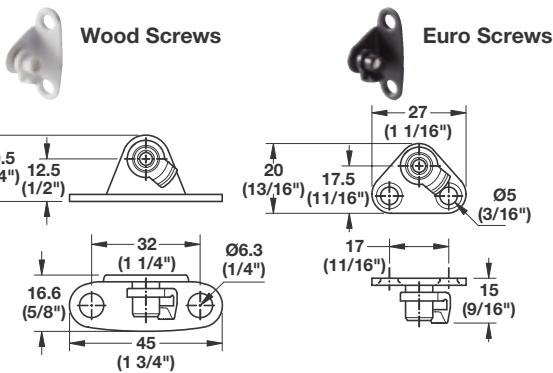
Duo Standard

Duo Forte



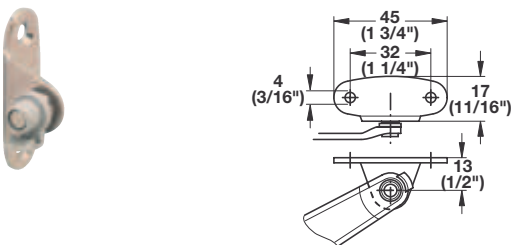
For edge distance 37 mm

For edge distance 28 mm



Wood Screws

Euro Screws



Duo Standard/Duo Forte Individual Fitting

- For left and right hand use
- Without tools (clip-on system) onto pre-mounted mounting bracket
- Adjustment facility: Holding power

Material: zinc alloy

Model Series	Nickel-plated	White	Black	Silver
Standard	373.66.500	373.66.250	373.66.200	373.66.800
Forte	373.66.700	373.66.350	373.66.300	373.66.900

Supplied With

Lid stay
Mounting instructions

Note

Mounting brackets and screw-on bracket are not supplied. Please order separately.

Mounting Bracket for Cabinet

- For mounting the lid stay to the cabinet

Material: steel

For edge distance (cabinet)	Nickel-plated	White	Black	Silver
28 (1 1/8")	373.66.693	373.66.395	373.66.393	373.66.993
37 (1 1/2")	373.66.694	373.66.396	373.66.394	373.66.994

Screw-on Bracket for Door

- For mounting the lid stay to the door
- For doors made of wood or with aluminum frame
- From frame width: 45 mm (1 3/4")

Material: steel

Installation	Nickel-plated	White	Black	Silver
Wood screws	373.66.681	373.66.384	373.66.381	373.66.981
Euro screws	373.66.036	373.66.386	373.66.383	-

- For doors with aluminum frame
- From frame width: 20 mm (13/16")

Installation	Nickel-plated	White	Black	Silver
Sheet metal screws	373.66.682	373.66.385	373.66.382	373.66.982

Special Door Mounting Bracket

- For use with a face frame overlay 5-piece door

Material: Steel

Finish	Item No.
nickel-plated	373.66.685