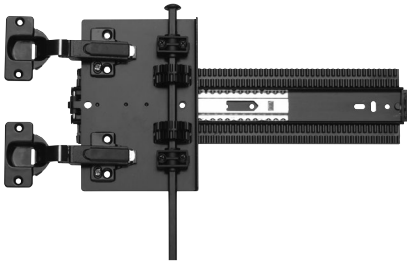


8091, 8092 Pivot Door Slides



Features

- Rack and pinion design
- Multiple hinge options
- Greatly reduces door sag

8091: Hinge and baseplate not included
 8092: Baseplate attached; hinge must be ordered separately

Mounting: Side
 Action: Ball-bearing movement

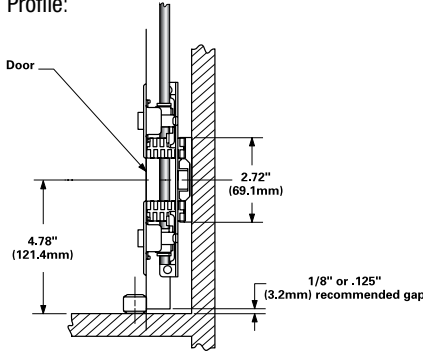
Load Rating: 75 lb. class

Maximum Dimensions: Vertical doors: 72" high x 26" wide
 Clearance:

Maximum Slide Width Including Hinges		
Type	Standard	Salice
Self-close hinge	1-23/32"	1-21/32"
Free-swing hinge	1-23/32"	1-21/32"
Overlay hinge	1-23/32"	1-7/8"
Thick door hinge	2-3/32"	—
Extra-thick door hinge	2-13/32"	2-5/16"

Finish: Ebony Black (EB)

Profile:



8090P CR Raised Panel Cassette Roller



Additional protection for raised panel doors

Product	Pack
8090P CR	1 per poly pack with screws; 20 per carton

Configurations

8091 Ebony Black (EB)		8092 Ebony Black (EB)	
Size	Poly (P)	Size	Poly (P)
12"	8091P EB 12	12"	8092P EB 12
13"	8091P EB 13	13"	8092P EB 13
14"	8091P EB 14	14"	8092P EB 14
15"	8091P EB 15	15"	8092P EB 15
16"	8091P EB 16	16"	8092P EB 16
18"	8091P EB 18	18"	8092P EB 18
20"	8091P EB 20	20"	8092P EB 20
22"	8091P EB 22	22"	8092P EB 22
24"	8091P EB 24	24"	8092P EB 24
26"	8091P EB 26	26"	8092P EB 26
28"	8091P EB 28	28"	8092P EB 28
30"	8091P EB 30	30"	8092P EB 30

Recommended Fasteners	KV Part	Finish	Qty
#6 x 13/32" Phillips Pan Head	1300-83	Zinc (ZC)	1000

Hinge Kit Options



Hinge Kit (K)		2 hinges per kit; 10 kits per carton	
Nickel Hinges (For Use with 8092)			
Kit (K)	Hinge Cup Size	Door Thickness	Application
8080 HKEZS	35 mm	3/4"	Inset
8080 HKEZL	40 mm	3/4"	Overlay
8080 HKEZF	35 mm	3/4"	Inset - Free Swing
8085 HKEZT	40 mm	1"	Inset - Thick Door
8086 HKEZX	40 mm	1-1/4"	Inset - Extra Thick Door
Ebony Black (EB) Hinges (For Use with 8092)			
Kit (K)	Hinge Cup Size	Door Thickness	Application
8080 HKEZS EB	35 mm	3/4"	Inset
8080 HKEZL EB	40 mm	3/4"	Overlay
8085 HKEZT EB	40 mm	1"	Inset - Thick Door
8086 HKEZX EB	40 mm	1-1/4"	Inset - Extra Thick Door
Salice Hinges (For Use with 8091) Nickel Finish			
Kit (K)	Hinge Cup Size	Door Thickness	Application
8080 HKS SAL	35 mm	3/4"	Inset
8080 HKF SAL	35 mm	3/4"	Inset - Free Swing
8080 HKL SAL	40 mm	3/4"	Overlay
8086 HKX SAL	40 mm	1-1/4"	Inset - Thick Door
Salice Hinges (For Use with 8091) Ebony Black (EB) Finish			
Kit (K)	Hinge Cup Size	Door Thickness	Application
8080 HKS SAL EB	35 mm	3/4"	Inset
8080 HKL SAL EB	40 mm	3/4"	Overlay
8086 HKX SAL EB	40 mm	1-1/4"	Inset - Thick Door

For additional information on our salice hinge offerings please see page 67.

8090B Pinion Shafts for 4x4 Pocket Door Slides

SB Pack (SB) - 1 pair of shafts		Bulk Pack (B) - 10 each	
8090B Pinion Shaft Ebony Black (EB) Finish			
Size	Bulk (B)	Quantity	
36"	8090B EB 36	10	
48"	8090B EB 48	10	
72"	8090B EB 72	10	
8092SB Pinion Shaft Ebony Black (EB) Finish			
36"	8092SB EB 36	2	
48"	8092SB EB 48	2	
72"	8092SB EB 72	2	