

### Grass Full Extension

Weight capacity: 40 kg (88 lbs.)

- Face frame or frameless application
- Integrated Soft Close liquid dampening provides the lowest possible resistance when opening
- Features side to side, height and tilt adjustment\* for perfect drawer alignment
- Fully synchronized runner for the ultimate in smooth silent operation
- Slide-on mounting
- Continuous self-locking of drawer when pushed onto the drawer
- Tool-less integrated height adjustment +3.5 mm (9/64")
- Tool-less adjustment adapter for side adjustment ±1.5 mm (1/16")
- Meets or exceeds BHMA Grade 1 testing requirements
- 3-D version\* adds tilt adjustment +4 mm (11/64")



*soft&silent)))*



### Dynapro - 16

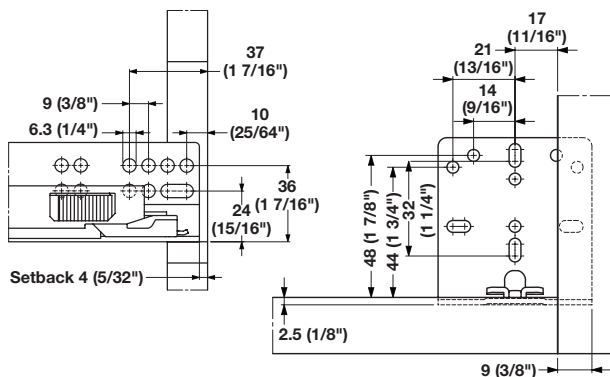
- For 16 5/8" drawer box

Material: Steel; Finish: zinc-plated

Drawer Length DL	Min. Installation Depth X	Max. Installation Depth	2-D	3-D
229 (9")	269 (10 19/32")	299 (11 3/4")	433.19.424	433.19.425
305 (12")	327 (12 7/8")	370 (14 9/16")	433.19.432	433.19.433
381 (15")	403 (15 7/8")	446 (17 9/16")	433.19.440	433.19.441
457 (18")	479 (18 27/32")	522 (20 9/16")	433.19.447	433.19.448
533 (21")	555 (21 27/32")	598 (23 17/32")	433.19.455	

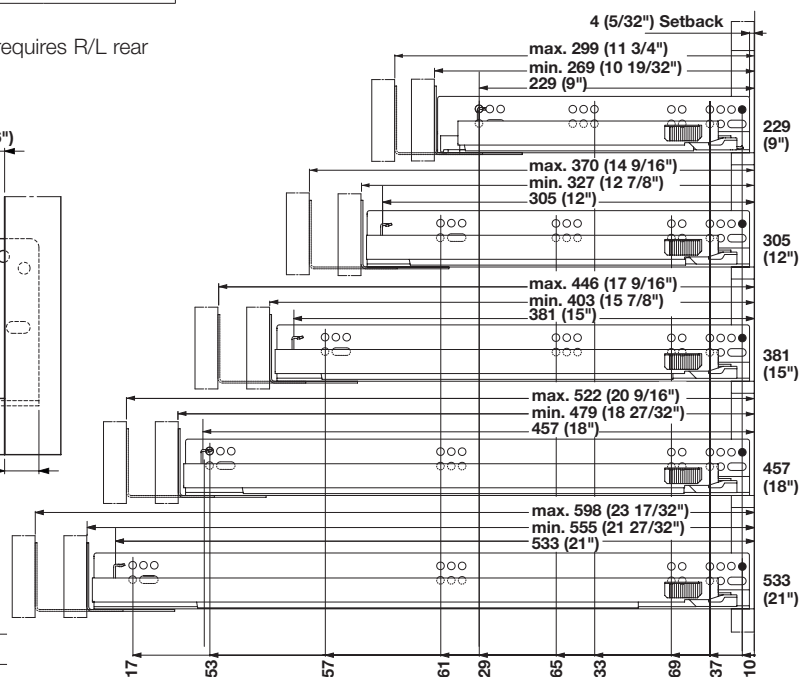
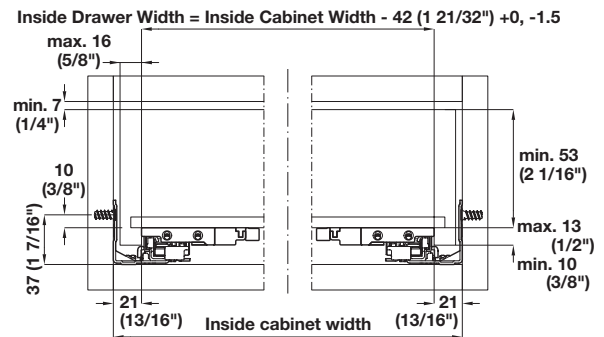
#### Note

All items require R/L front locking device; 3-D version also requires R/L rear adjustment adapter.



#### Note

Dimensions shown in face frame with rear mounting socket; can also be used in frameless.



Dimensions in mm  
Inches are approximate

Dimensional data not binding. We reserve the right to alter specifications without notice.

Pan head screws	pages 11.134-11.135
Varianta screws	page 11.142
Locking devices and rear adjustment bracket	page 8.37