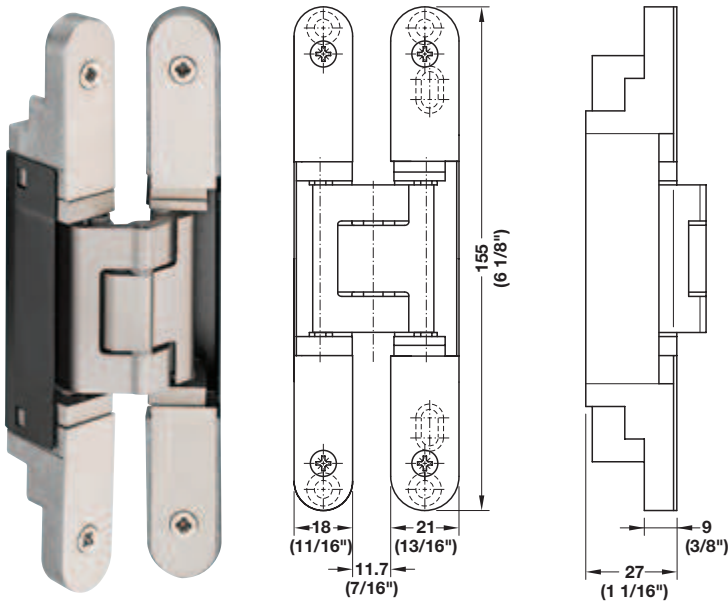


TECTUS

- Used in door frames made out of hollow metal or wood in flush interior doors
- Maintenance-free slide bearings
- Suitable for left and right hand applications



TE 240 3D

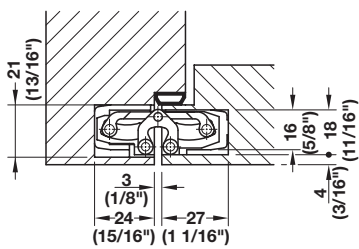
- Door weight: ≤ 60 kg (132 lbs.)
- Door thickness: ≥ 25 mm (1")
- Opening angle: ≤ 180°
- Router bit Ø: 16 mm (5/8")
- Router guide Ø: 30 mm (1 3/16")
- Adjustment: three-dimensionally adjustable:
 Height and Width: ± 3 mm (1/8")
 Depth: ± 1.5 mm (1/16")

Material: Aluminum Die-cast

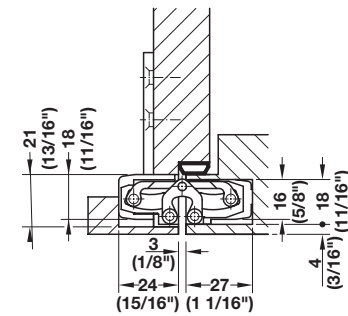
Finish	Item No.
stainless steel look	924.18.904
bronze	924.18.917
mid bronze	924.18.920
satin chrome look	924.18.921
satin nickel look	924.18.922
dark bronze	924.18.925
polished nickel	924.18.970
polished brass	924.18.980

4

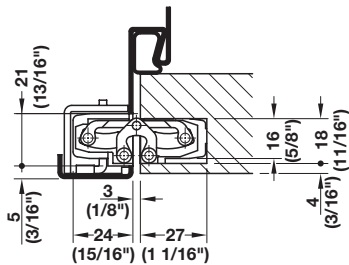
Mounting



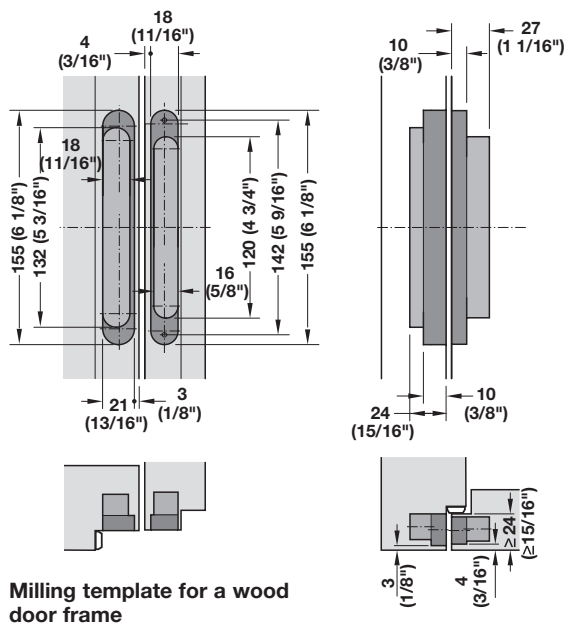
Mounted to a wood door frame



Mounted to a wood door jamb together with a mounting plate



Mounted to a hollow metal frame with a receiver element



Milling template for a wood door frame

Mounting plates	page 4.25
Receiving elements	page 4.26

Dimensional data not binding. We reserve the right to alter specifications without notice.

Dimensions in mm
 Inches are approximate