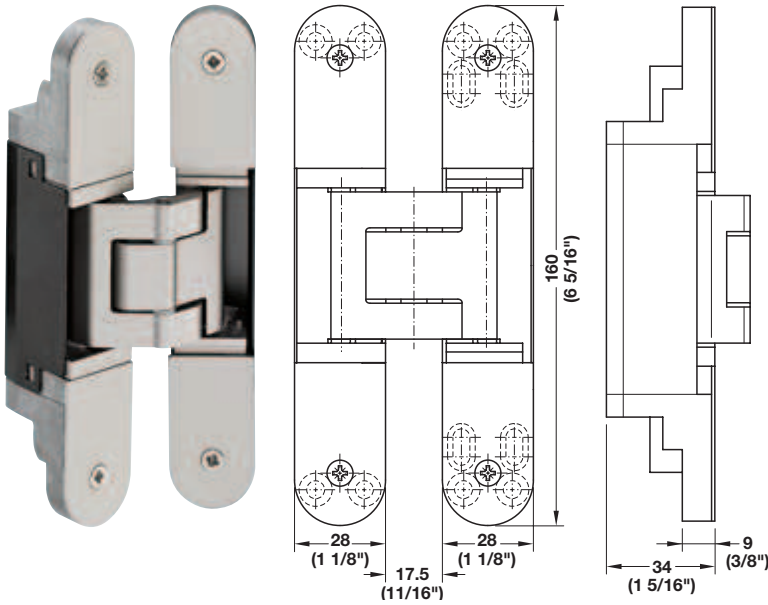


TECTUS

- Used in door frames made out of hollow metal or wood in flush interior doors
- Maintenance-free slide bearings
- Suitable for left and right hand applications
- UL listed for 20 minute rated fire doors (maximum door size: 4' x 8' for a single door, 8' x 8' for a pair of doors)



TE 340 3D

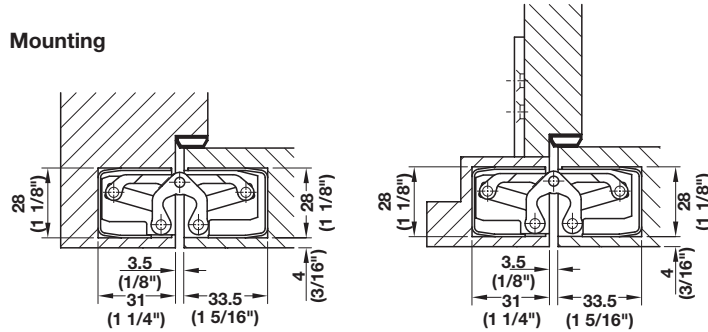
- Door weight: ≤ 80 kg (176 lbs.)
- Door thickness: ≥ 40 mm (1 9/16\"/>

Material: Aluminum Die-cast

| Finish | Item No. |
|-----------------------------------|------------|
| stainless steel effect | 924.17.104 |
| satin chrome colored | 924.17.121 |
| satin nickel colored | 924.17.122 |
| black powder-coated | 924.17.137 |
| bronze powder-coated (US10B look) | 924.17.150 |
| rustic umber colored | 924.17.116 |
| satin nickel-plated | 924.17.171 |
| polished nickel-plated | 924.17.170 |
| polished brass-plated | 924.17.169 |
| white powder-coated RAL 9016 | 924.17.177 |
| dark bronze | 924.17.152 |

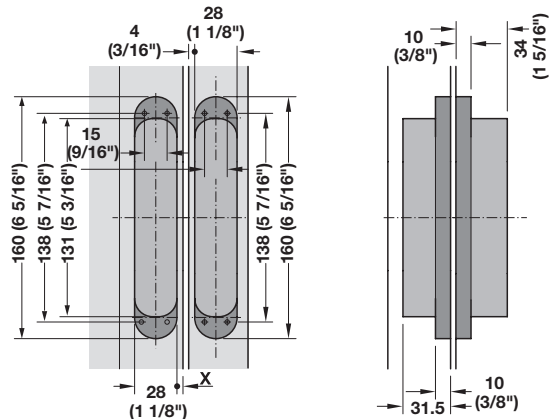


Mounting

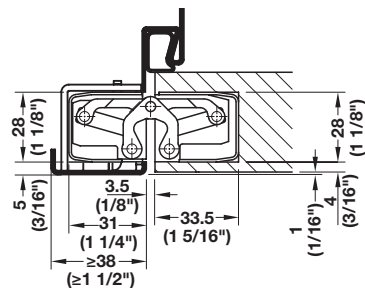


Mounted to a wood door frame

Mounted to a wood door jamb together with a mounting plate



Milling template for a wood door frame



Mounted to a hollow metal frame with a receiver element

Calculation of the milling dimensions:

A = Rabbet depth excluding seal clearance

B = Door thickness

A - B + 3 = Dimension X

The result has to fall between 3 mm (1/8\"/>

For hollow metal frame applications X = 5 mm (3/16\"/>

| | |
|--------------------|-----------|
| Mounting plates | page 4.25 |
| Receiving elements | page 4.26 |

Dimensional data not binding. We reserve the right to alter specifications without notice.

Dimensions in mm
 Inches are approximate