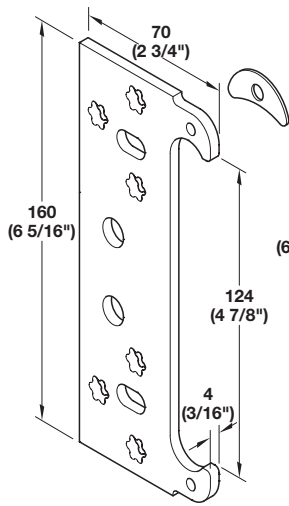
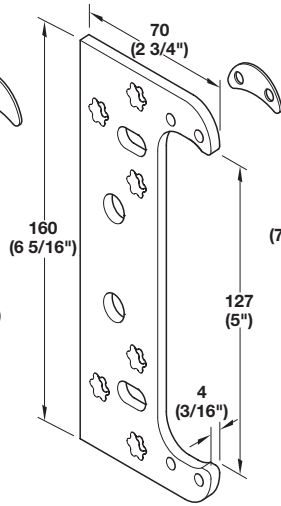


Mounting Plates – TECTUS

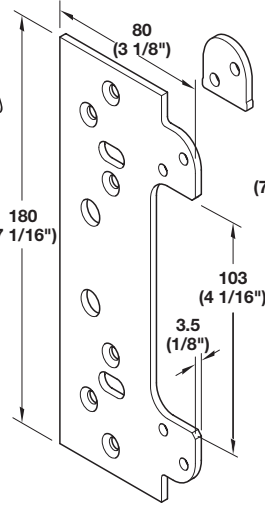
- Suitable for concealed hinges TECTUS TE 240/340/525/540/640 3D and TE 540/640 3D A8 mounted into wood door frames
- Suitable for left and right hand installations



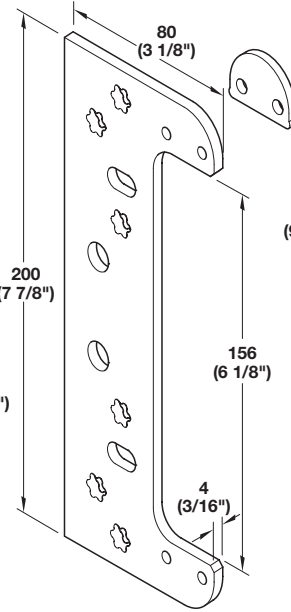
TECTUS
 TE 240 3D FZ/1



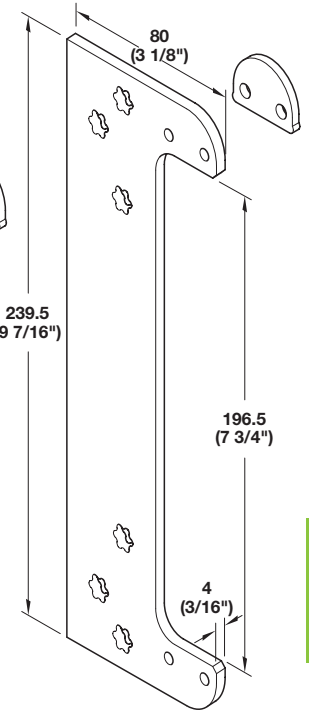
TECTUS
 TE 340 3D FZ/1



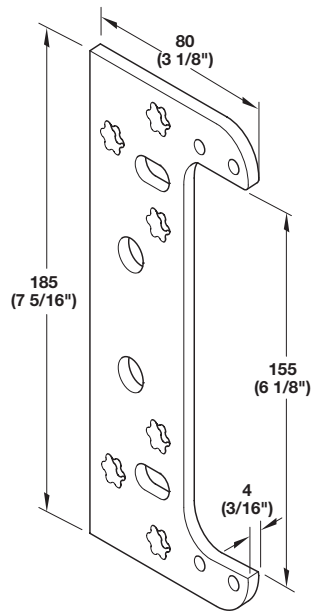
TECTUS
 TE 525 3D FZ/1



TECTUS
 TE 540 3D FZ/1



TECTUS
 TE 640 3D FZ/1



TECTUS
 TE 541 3D FVZ FZ/1

Material: Steel, galvanized

Model	Item No.
TE 240 3D FZ/1	924.17.098
TE 340 3D FZ/1	924.17.198
TE 525 3D FZ/1 for TE 526 3D and TE 527 3D	924.04.983
TE 540 3D FZ/1	924.17.298
TE 640 3D FZ/1	924.17.498
TE 541 3D FVZ FZ/1	924.19.027

Supplied With

Mounting plate
 2 Spacer plates per 0.5, 1, 2, 3 mm

Note

TE 525 comes without 0.5 mm spacer plates

Dimensional data not binding. We reserve the right to alter specifications without notice.

