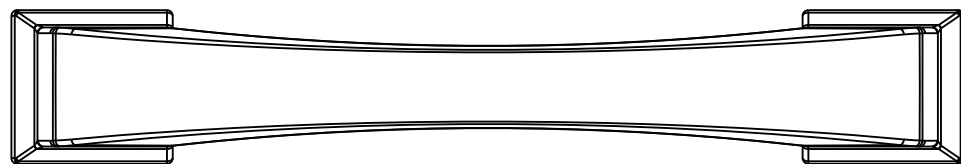
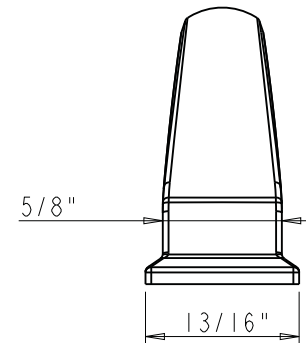


SECTION A-A



<p><b>hardware resources</b></p> <p>PROPRIETARY AND CONFIDENTIAL</p> <p>THE INFORMATION CONTAINED IN THIS DRAWING IS THE SOLE PROPERTY OF HARDWARE RESOURCES INC. ANY REPRODUCTION IN PART OR AS A WHOLE WITHOUT THE WRITTEN PERMISSION OF HARDWARE RESOURCES INC. IS PROHIBITED.</p> <p>DO NOT SCALE DRAWING</p>	ITEM:	944-96	MATERIAL:	ZINC
	FINISH:		WEIGHT:	106 g
	TOLERANCE UNLESS OTHERWISE SPECIFIED:	UNITS:	DRAWN BY:	DATE:
	I ±0.20 II ±0.10 III ±0.05 ANGULAR: ±0.5°	HUGO.CAI Mar-14-18	APPROVED BY:	DATE:
	SHEET:	RELEASE LEVEL:	REVISION:	