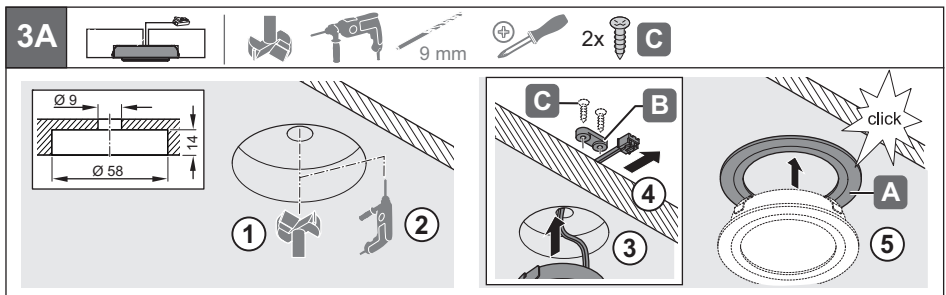
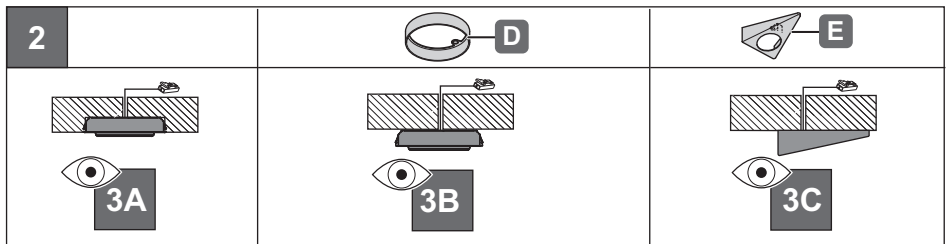
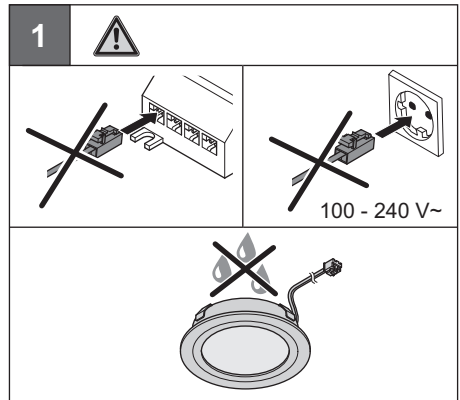
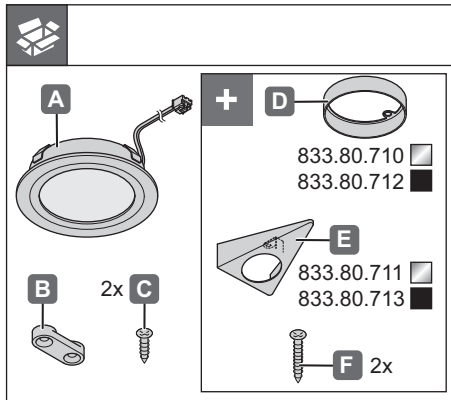




LED 4009

833.78.140
833.78.151
833.78.142
833.78.154

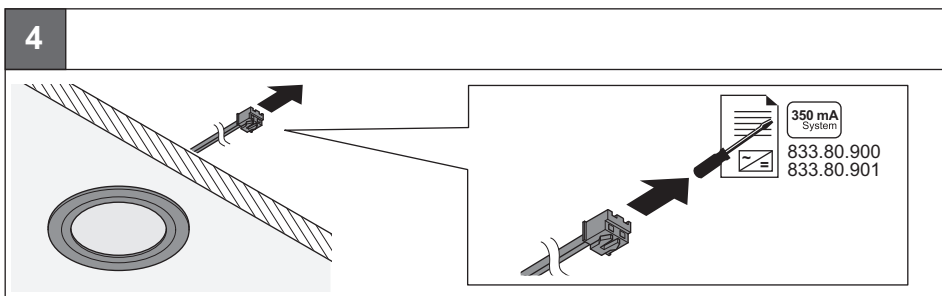
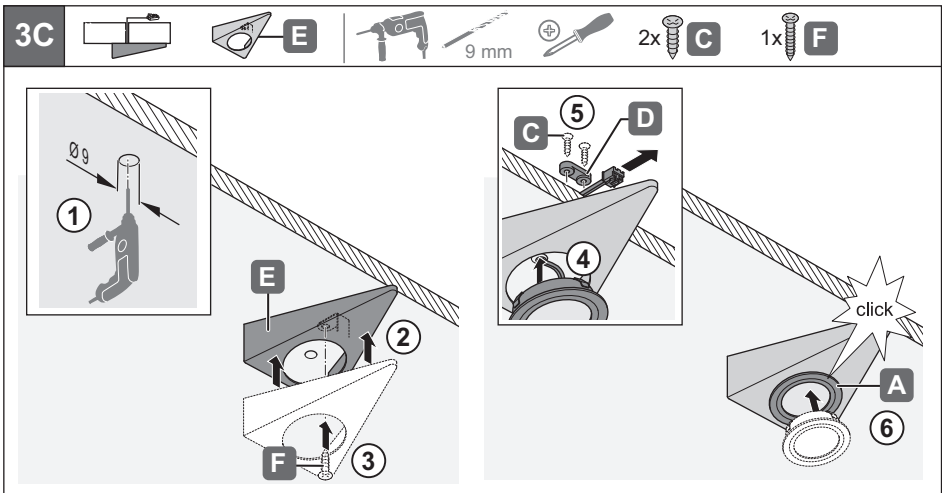
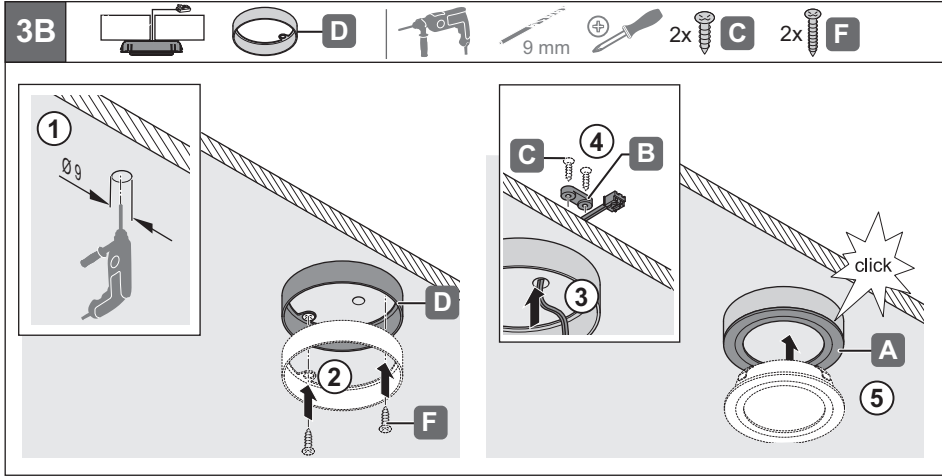
350 mA System	K	W	T _A	mm	mm	
833.78.140	3000 K	3 x 1 W	-20 °C – +35 °C -4 °F – +95 °F	Ø 65 x 15	≥ Ø 75 x 25	833.80.900 833.80.901
833.78.151	6000 K					
833.78.142	3000 K					
833.78.154	6000 K					



Maße in mm – Dimensions in mm – Medidas en mm

HDE 05.09.2011

732.28.291



Maße in mm – Dimensions in mm – Medidas en mm

HDE 05.09.2011

732.28.291